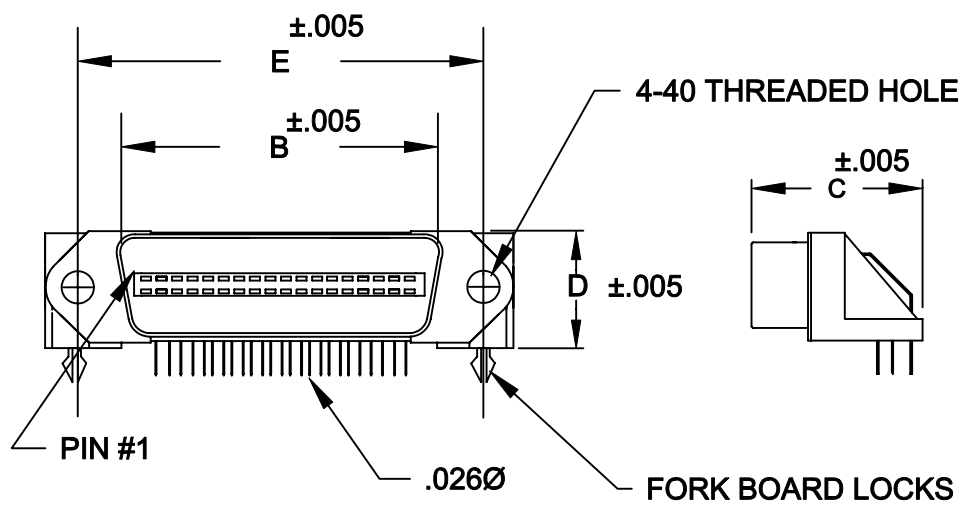
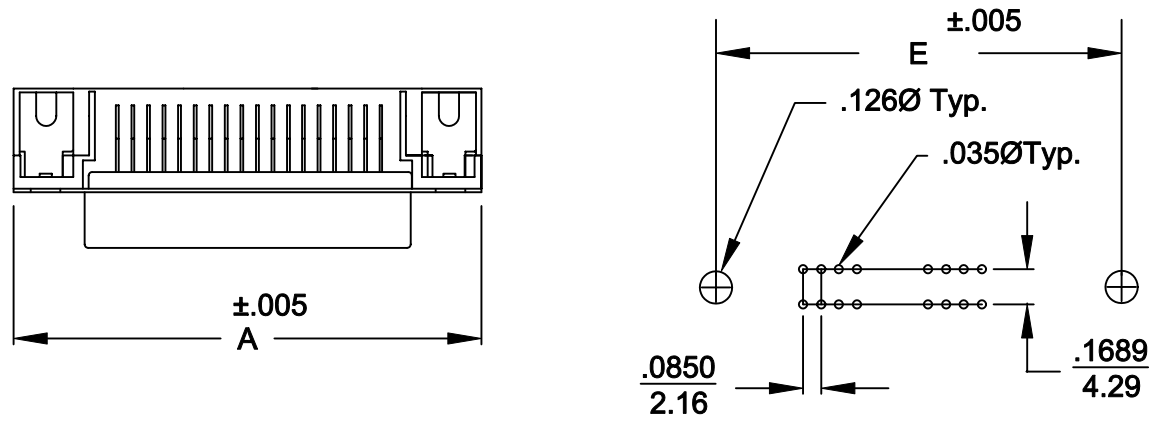


DESCRIPTION: .085" RIBBON R/A BOARD MOUNT

A B C D E

14	1.720	1.008	.984	.618	1.417
	43.70	25.60	25.00	15.70	35.99
24	2.146	1.436	.984	.618	1.843
	54.50	36.47	25.00	15.70	46.79
36	2.662	1.943	.984	.618	2.352
	67.60	49.35	25.00	15.70	59.74
50	3.260	2.539	.984	.618	2.947
	82.80	64.47	25.00	15.70	74.85



112-YYY-113R491

SERIES \_\_\_\_\_  
 POSITIONS \_\_\_\_\_  
 014  
 024  
 036  
 050

GENDER \_\_\_\_\_  
 1 = MALE

TERMINATION \_\_\_\_\_  
 1 = DIP SOLDER

SHELL PLATING \_\_\_\_\_  
 3 = NICKEL


HARDWARE OPTIONS \_\_\_\_\_  
 49 = FORK BOARD LOCK (PCB)

PLATING OPTIONS \_\_\_\_\_  
 01 = GOLD FLASH

**MATERIALS:**

INSULATOR: GLASS-FILLED THERMOPLASTIC  
 UL RATED 94V-0 - 230°C PORCESS TEMP.  
 CONTACTS: COPPER ALLOY- GOLD FLASH PLATING  
 SHELL: STEEL, NICKEL PLATED  
 RoHS COMPLAINT

**ELECTRICALS:**  
 CONTACT CURRENT RATING: 1 AMP  
 DIELECTRIC WITHSTANDING VOLTAGE: AC 1200 R.M.S.  
 INSULATION RESISTANCE: 1000 mohms MINIMUM AT 500V DC  
 CONTACT RESISTANCE: 30 mOHMS MAXIMUM  
 OPERATING TEMPERATURE: -55°C TO +125°C

	THESE DRAWINGS AND SPECIFICATIONS ARE THE PROPERTY OF NorComp AND SHALL NOT BE REPRODUCED, COPIED OR USED AS THE BASIS FOR THE MANUFACTURE OF SALE OF APPARATUS WITHOUT WRITTEN PERMISSION.		DRAWN: <b>WAYNE ROBBINS</b>	DATE: <b>8-22-05</b>
			CHECKED:	DATE:
<b>NorComp</b>		SCALE: 1:1	SHEET 1 OF 1	REV 2
		DWG NO. <b>112-YYY-113R491</b>		