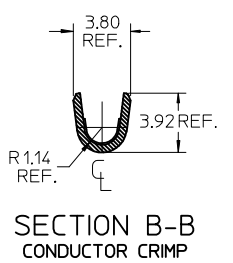
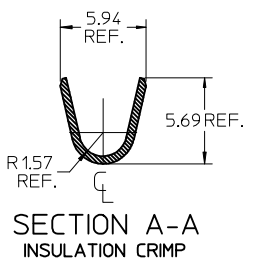
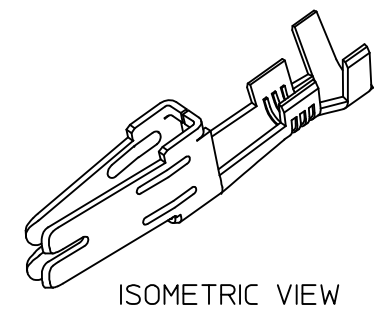
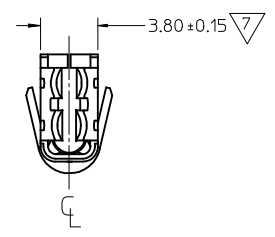
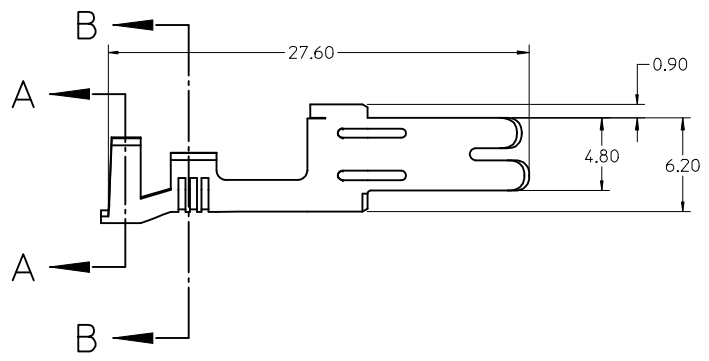


- NOTES:
1. MATERIAL: COPPER ALLOY 151, 0.50mm THICK.
 2. PLATING:
OVERALL *TIN: 0.00254 MIN BRIGHT TIN
OVER 0.00127 MIN NICKEL.

SELECT GOLD: 0.00076 MIN. SELECT GOLD IN CONTACT AREA,
0.00127 MIN. SELECT *TIN IN CRIMP AREA, OVER 0.00127 MIN NICKEL.
 3. PRODUCT SPECIFICATION: PS-42815-001.
 4. PACKAGING INFORMATION: PK-42815-001.
 5. PART IS DESIGNED IN METRIC.
 6. TERMINALS FOR USE WITH STRANDED WIRE ONLY.
STRANDED TINNED WIRE IS RECOMMENDED.
 7. AFTER CRIMPING, THIS DIMENSION IS 3.55mm MINIMUM.
 8. CRIMP SPECIFICATION: 638301000.
 9. WHEN USING TIN-PLATED TERMINALS FOR APPLICATIONS INVOLVING VIBRATION AND/OR THERMAL CYCLING, MOLEX STRONGLY RECOMMENDS THE USE OF NYE LUBRICANT, NYOGEL 760G, ON THE MATING AREA OF THE TERMINAL. LUBRICANT SHOULD BE APPLIED AFTER THE TERMINALS ARE INSERTED INTO THE HOUSING.



MATERIAL NO.		PLATING		SCALE		DESIGN UNITS		THIRD ANGLE PROJECTION		REVISE ON CAD ONLY			
42815-0041		TIN		4:1		METRIC							
42815-0042		SELECT GOLD		DIMENSION STYLE		MM ONLY		TITLE					
ADD PACKAGING SPECS EC NO: UCP2013-5420 DRWN: AELHAG 2013/11/12 CHKD: JBELL 2013/11/12 APPR: FSMITH 2013/11/25		QUALITY SYMBOLS		GENERAL TOLERANCES (UNLESS SPECIFIED)		DRAWN BY		DATE		MOLEX MOLEX INCORPORATED SEE CHART SD-42815-020			
		▽ = 0 ∇ = 0		mm INCH		DATE		DATE					
		4 PLACES ± --- ± --- 3 PLACES ± --- ± .010 2 PLACES ± 0.25 ± .016 1 PLACE ± 0.40 ± ---		ANGULAR ± 1/2°		JCOMERCI 2002/05/15		JCOMERCI 2002/05/15					
		DRAFT WHERE APPLICABLE		MUST REMAIN WITHIN DIMENSIONS		APPROVED BY JCOMERCI		DATE 2002/05/15				MATERIAL NO. SEE CHART	
		B3				THIS DRAWING CONTAINS INFORMATION THAT IS PROPRIETARY TO MOLEX INCORPORATED AND SHOULD NOT BE USED WITHOUT WRITTEN PERMISSION		DOCUMENT NO. SD-42815-020				SHEET NO. 1 OF 1	