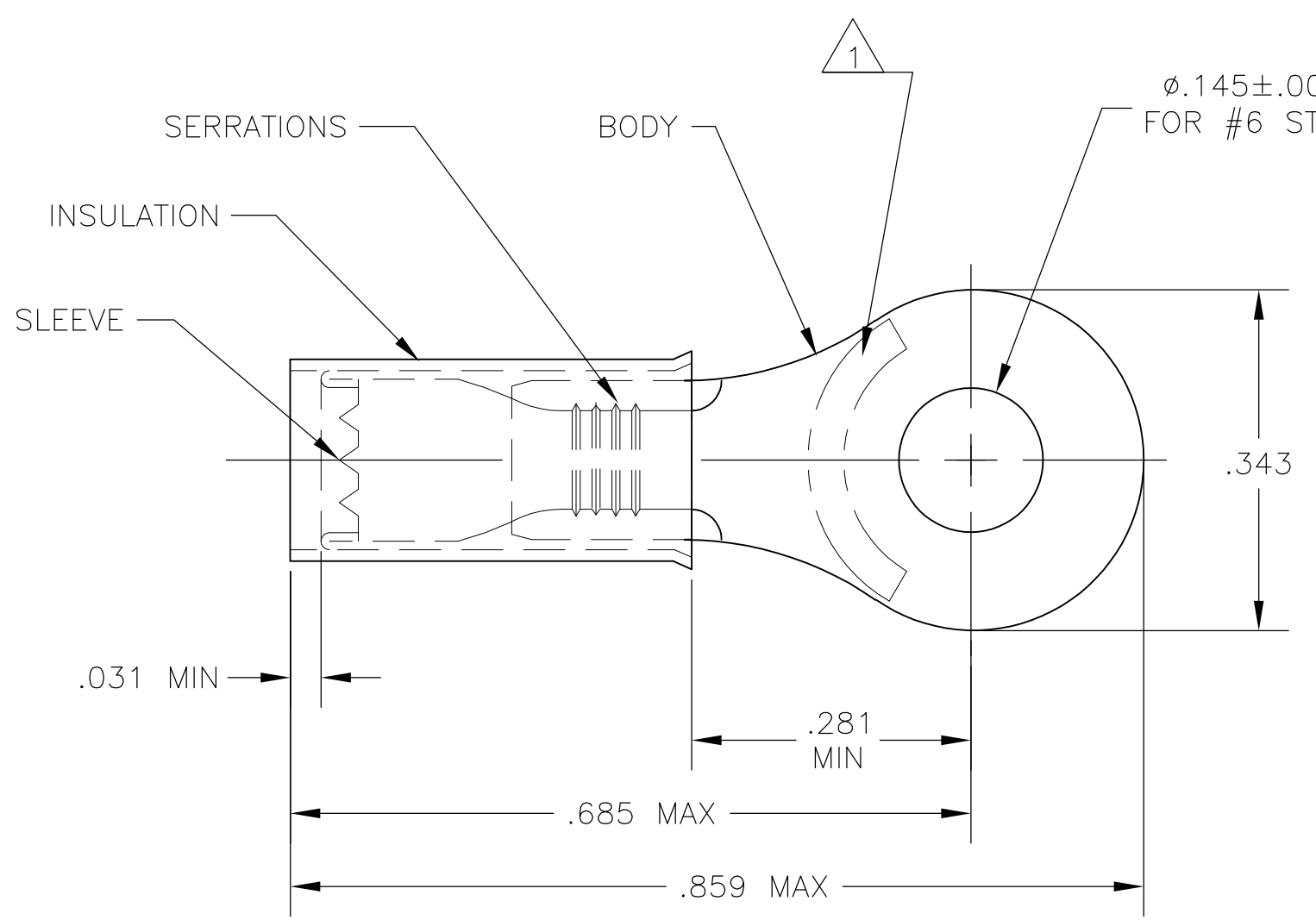


THIS DRAWING IS UNPUBLISHED. RELEASED FOR PUBLICATION
 © COPYRIGHT - By - ALL RIGHTS RESERVED.

LOC	DIST	REVISIONS			
P	LTR	DESCRIPTION	DATE	DWN	APVD
G	14	G3	REVISED PER ECO-14-009348	20JUN2014	NK DR



- 1 STAMP MAY BE ON TOP OR BOTTOM
- 2 FOR .105 TO .150 WIRE INSULATION DIA.
- 3 MATERIAL TONGUE THK IS $.031 \pm .002$

QTY	DESCRIPTION	MATERIAL	PART NO
100	LOOSE PIECE	INSULATION: NYLON, COLOR BLUE	8-36157-1
5000	36157 ON TAPE	BODY & SLEEVE: COPPER PER ASTM B152 TIN PLATE PER ASTM B545	2-36157-2
1000	LOOSE PIECE		36157

THIS DRAWING IS A CONTROLLED DOCUMENT.		DWN jr_ruth 17MAR09	STE TE Connectivity	
DIMENSIONS: INCHES		CHK TOM MICHIELUTTI 17MAR09		
TOLERANCES UNLESS OTHERWISE SPECIFIED:		APVD TOM MICHIELUTTI 17MAR09	NAME TERMINAL, PIDG RING TONGUE, WIRE SIZE 16-14 AWG	
0 PLC ± -		PRODUCT SPEC	SIZE	
1 PLC ± -		APPLICATION SPEC	CAGE CODE	DRAWING NO
2 PLC ± -		—	—	RESTRICTED TO
3 PLC ± .008		—	—	—
4 PLC ± -		—	—	—
ANGLES ± 5°		WEIGHT	—	—
MATERIAL SEE TABLE		FINISH SEE TABLE	—	—
—		CUSTOMER DRAWING	SCALE 8:1	SHEET 1 OF 1
—		—	REV G3	—