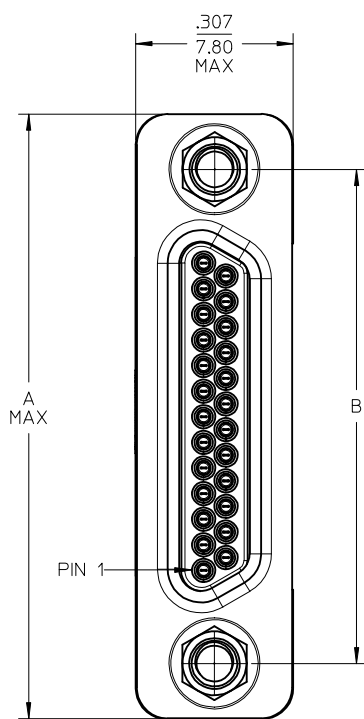
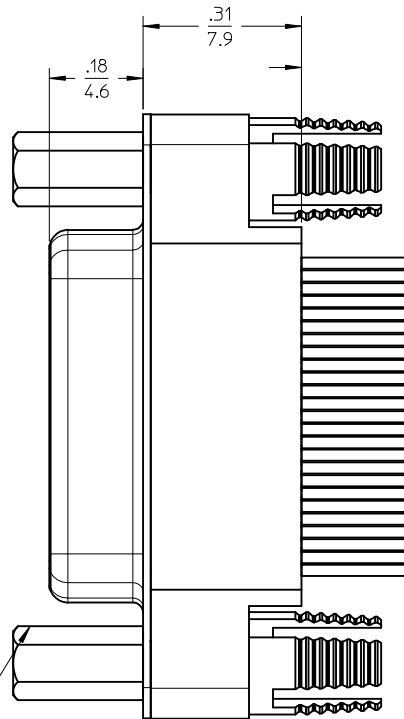


10	9	8	7	6	5	4	3	2	1	
PART NUMBER	SIZE	A MAX.	B NOM.	C REF.	D NOM.					
836149016	25	1.185	.965	.600	.965					



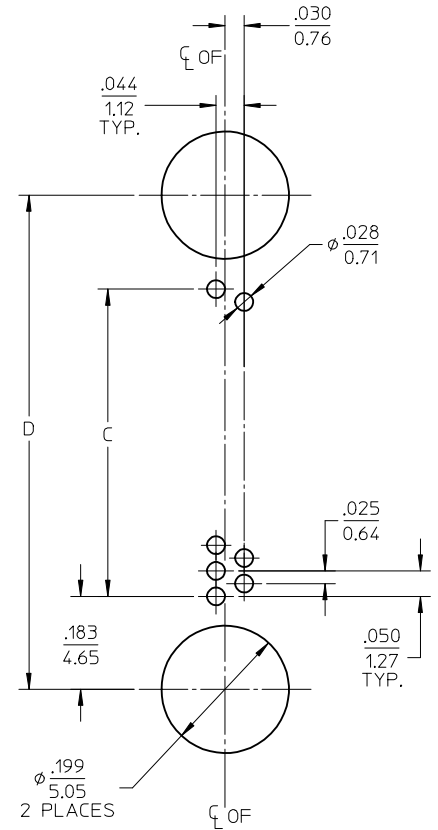
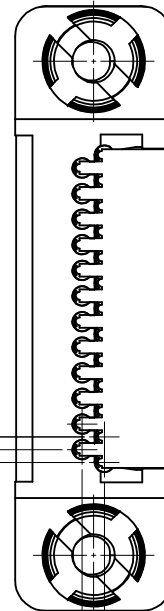
2-56 JACKPOST
2 PLACES



.109±.015
2.76±0.38 TYP

.025
0.64

.050
1.27 TYP



RECOMMENDED
P.C.B. LAY-OUT
.060/1.52 PANEL THICKNESS

2. ROHS COMPLIANT
1. REFER TO PS-83421-9000 FOR PRODUCT SPECIFICATION.
NOTES: UNLESS OTHERWISE SPECIFIED.

UPDATED JACKPOSTS	DESCRIPTION	QUALITY SYMBOLS
EC NO: IPG2014-1899	2014/08/11	▽=0
DRWN: BARDEN	2014/08/11	∇=0
CHKD:		
APPR: BWOODMAN	2014/08/21	
REV		

GENERAL TOLERANCES (UNLESS SPECIFIED)	
mm	INCH
4 PLACES ± ---	± ---
3 PLACES ± ---	± .005
2 PLACES ± 0.13	± .010
1 PLACE ± 0.25	± ---
ANGULAR ± 2 °	
DRAFT WHERE APPLICABLE MUST REMAIN WITHIN DIMENSIONS	

DIMENSION STYLE	
IN/MM	
DRAWN BY	DATE
D. URBACH	230CT00
CHECKED BY	DATE
D. URBACH	230CT00
APPROVED BY	DATE
D. URBACH	230CT00
MATERIAL NO.	
SEE CHART	
SIZE	
A3	

SCALE	DESIGN UNITS	THIRD ANGLE PROJECTION
4:1	INCH	
TITLE		
CONN, COMM-D, PLUG, VERT JACKPOST, SIZE 25		
MOLEX INCORPORATED		
MATERIAL NO.	DOCUMENT NO.	SHEET NO.
	SD-83614-9016	1 OF 1
THIS DRAWING CONTAINS INFORMATION THAT IS PROPRIETARY TO MOLEX INCORPORATED AND SHOULD NOT BE USED WITHOUT WRITTEN PERMISSION		