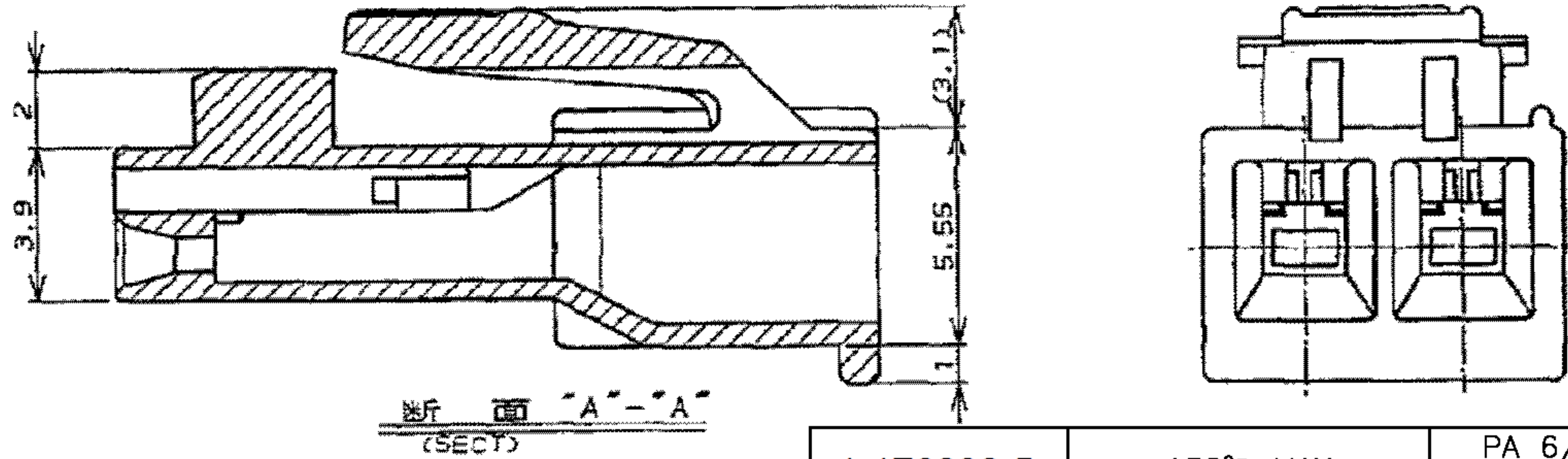
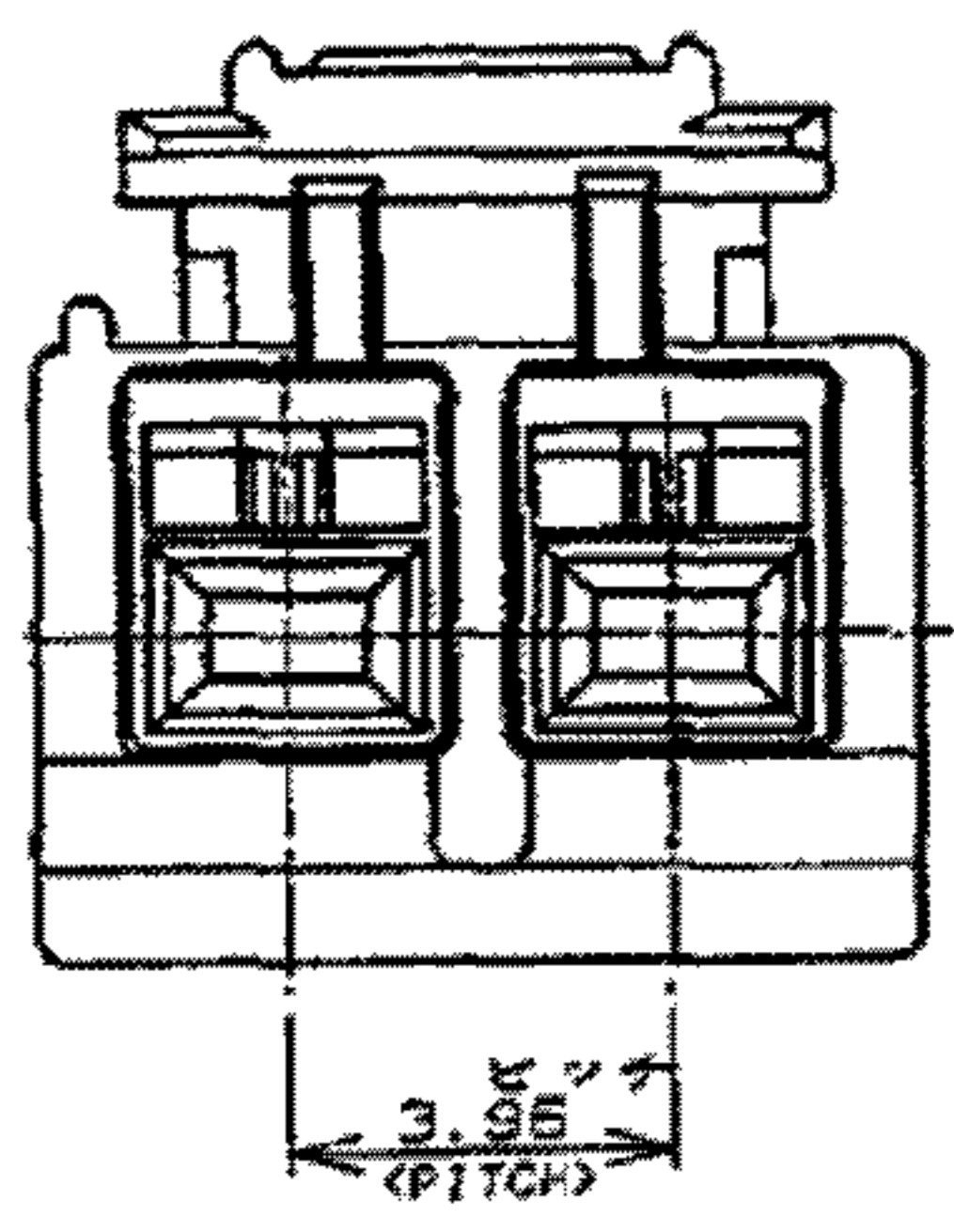
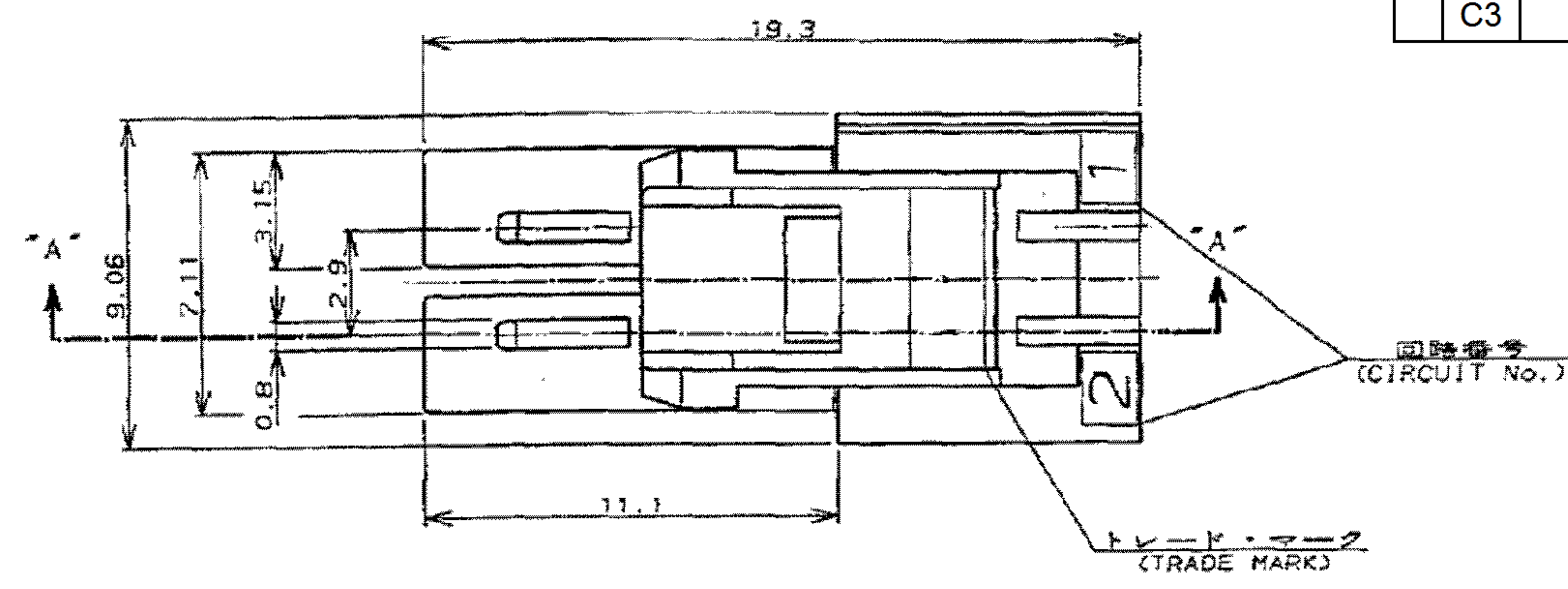


THIS DRAWING IS UNPUBLISHED. RELEASED FOR PUBLICATION
 © COPYRIGHT ALL INTERNATIONAL RIGHTS RESERVED.

LOC	DIST	REVISIONS					
J	—	P	LTR	DESCRIPTION	DATE	DWN	APVD
		C2		REVISED PER ECR-12-022089	27DEC2012	A.Z	F.M
		C3		REVISED PER ECR-14-012363	17AUG2014	A.Z	D.Z



1-176282-5	130°C MAX	PA 6/6 ポリアミド 6/6	GREEN 緑	2	1-176271-5
1-176282-1	130°C MAX	PA 6/6 ポリアミド 6/6	NATURAL 自然色		1-176271-1 ^{△2}
176282-□ 176292-□	105°C MAX	PA 6/6 ポリアミド 6/6	BLACK 黒 BLUE 青 YELLOW 黄 RED 赤 NATURAL 自然色		176271-9 176271-6 176271-4 176271-2 176271-1
MATING CONN. PART NUMBER 嵌合相手型番	TEMPERATURE RATING 定格温度	TYPE 種類	HOUSING COLOR 色	Pos. 極数	PART NUMBER 型番
		MATERIAL 材料			

1. APPLICABLE CONTACT PART NUMBER;
 REC CONTACT: 175152-□ (#20-#16AWG)
 175151-□ (#26-#22AWG)
^{△2} TO BE USED WITH THE CONTACT WHICH IS RATED 105°C MAX
1. 適用端子型番;
 リセコンタクト: 175152-□ (#20-#16AWG)
 175151-□ (#26-#22AWG)
^{△2} 適用コンタクトの使用温度は最大105°C

THIS DRAWING IS A CONTROLLED DOCUMENT.

DWN M.SHINDO 08NOV1989	
CHK Y.FUJITA 08NOV1989	
APVD Y.FUJITA 08NOV1989	
PRODUCT SPEC 108-5302	
APPLICATION SPEC	NAME AMP UNIVERSAL POWER CONN. 3.96mm PITCH PLUG HOUSING 2 Pos. (SGL ROW) AMP ユニバーサルパワーコネクタ 2極 3.96mmピッチ キャップハウジング
MATERIAL SEE TABLE	SIZE A3
	CAGE CODE 00779
	DRAWING NO C-176271
	RESTRICTED TO —
	CUSTOMER DRAWING
	SCALE NTS
	SHEET 1 OF 1
	REV C3