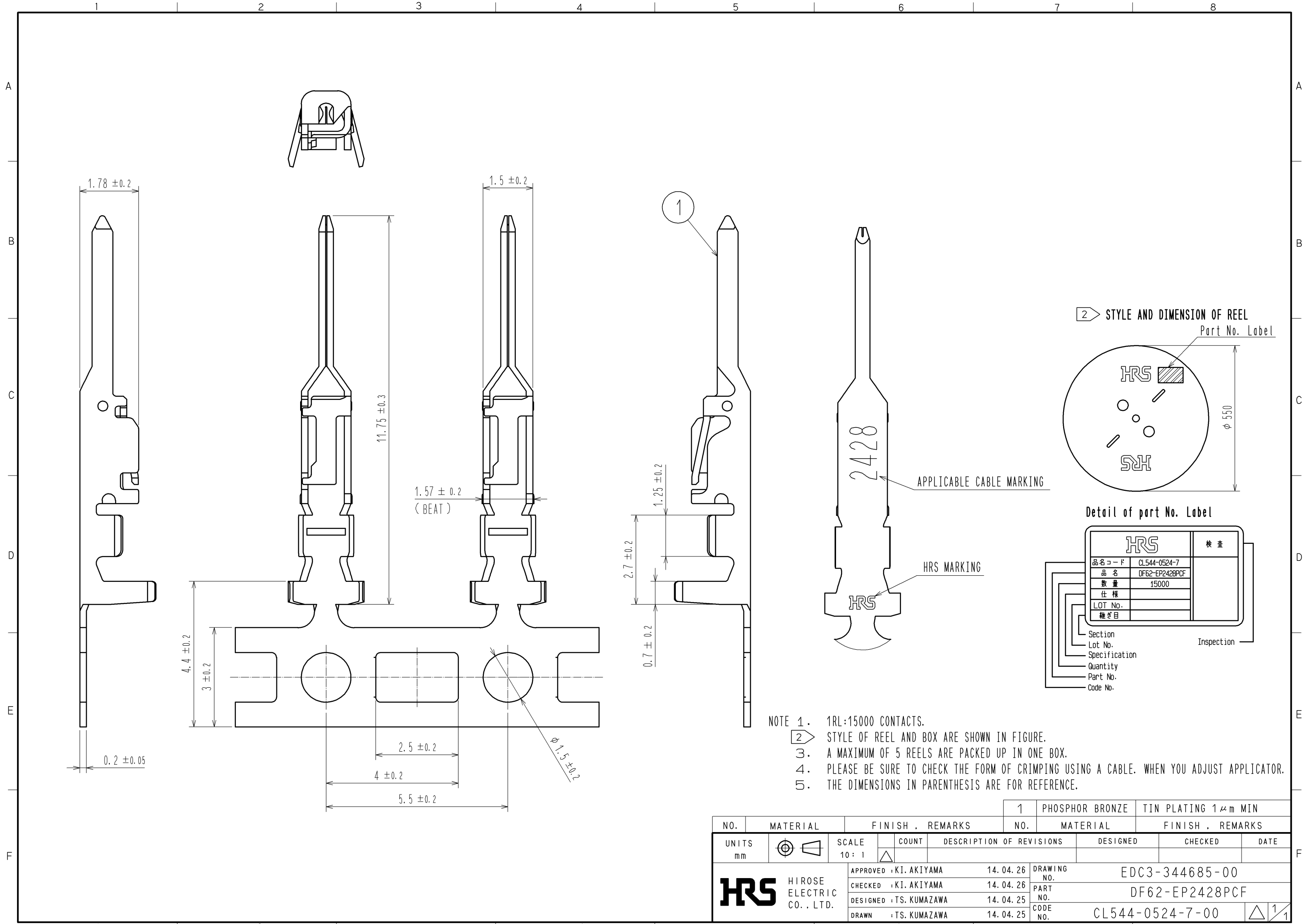


参考図：ご確認用。正式には別途納入仕様書をご請求願います。



- NOTE 1. 1RL:15000 CONTACTS.
 2. STYLE OF REEL AND BOX ARE SHOWN IN FIGURE.
 3. A MAXIMUM OF 5 REELS ARE PACKED UP IN ONE BOX.
 4. PLEASE BE SURE TO CHECK THE FORM OF CRIMPING USING A CABLE. WHEN YOU ADJUST APPLICATOR.
 5. THE DIMENSIONS IN PARENTHESIS ARE FOR REFERENCE.

NO.	MATERIAL	FINISH	REMARKS	NO.	MATERIAL	FINISH	REMARKS			
				1	PHOSPHOR BRONZE	TIN PLATING	1 μm MIN			
UNITS mm		SCALE 10:1	COUNT 	DESCRIPTION OF REVISIONS				DESIGNED	CHECKED	DATE
APPROVED : KI. AKIYAMA			14.04.26	DRAWING NO.		EDC3-344685-00				
CHECKED : KI. AKIYAMA			14.04.26	PART NO.		DF62-EP2428PCF				
DESIGNED : TS. KUMAZAWA			14.04.25	CODE NO.		CL544-0524-7-00				
DRAWN : TS. KUMAZAWA			14.04.25							
HRS HIROSE ELECTRIC CO., LTD.										