

1 2 3 4 5 6 7 8

A A

B B

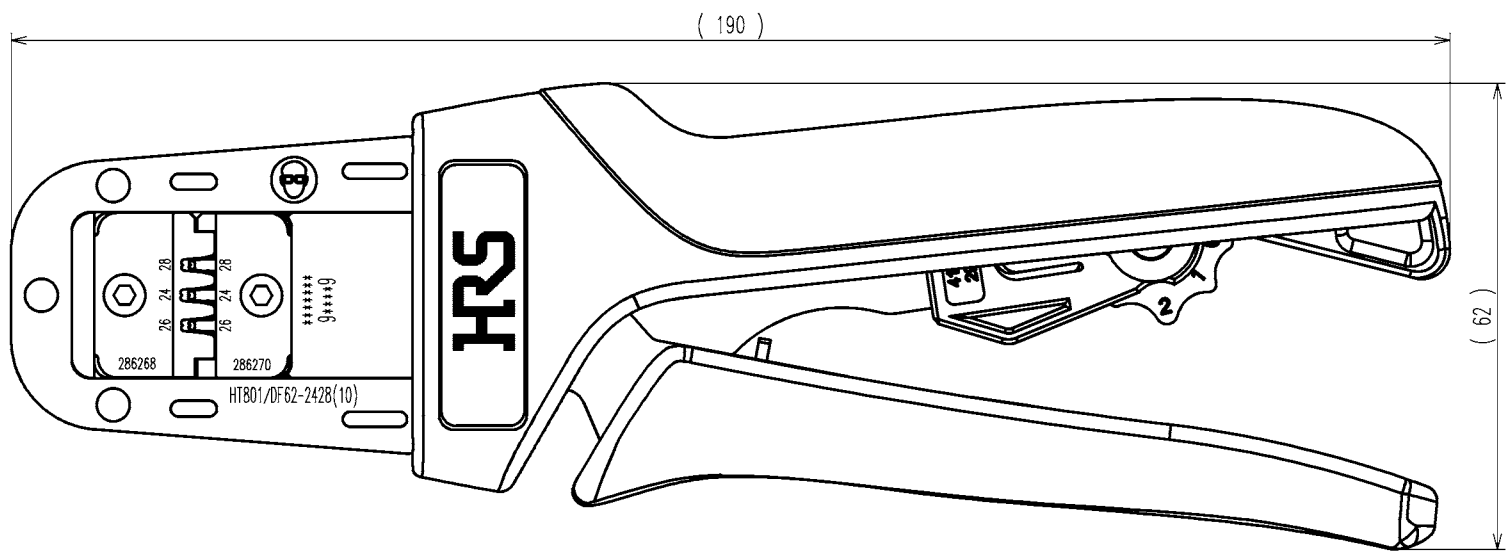
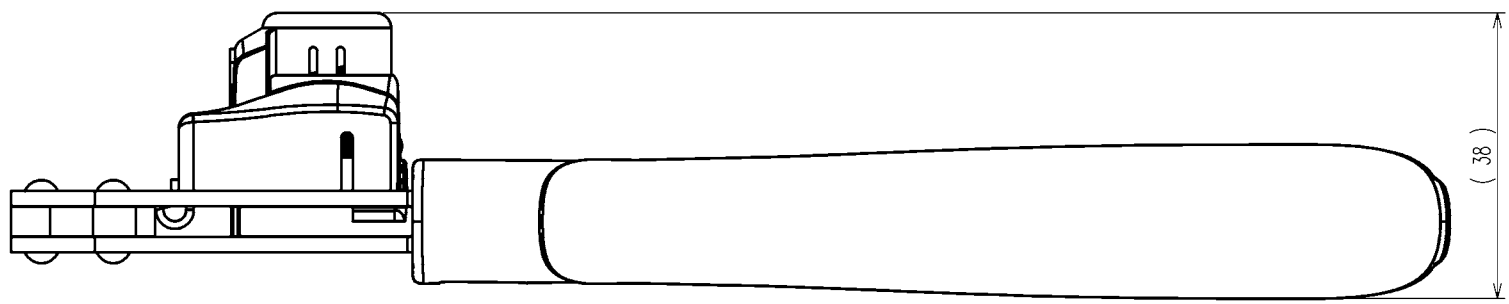
C C

D D

E E

F F

COUNT	DESCRIPTION OF REVISIONS	BY	CHKD	DATE	COUNT	DESCRIPTION OF REVISIONS	BY	CHKD	DATE
△				..	△				..
△				..	△				..
△				..	△				..



Notes : Contact of DF62-2428SCA(CL544-0527-5) , DF62-EP2428PCA(CL544-0530-0) , DF62-2428SC(CL544-0573-2) , DF62-EP2428PC(CL544-0576-0) is assembled for this tool.

2			4		
1			3		
NO.	MATERIAL	FINISH, REMARKS	NO.	MATERIAL	FINISH, REMARKS
CODE NO.(OLD) CL			DRAWN	DESIGNED	CHECKED
			H.KUDO	M.TAKAHASHI	S.OIZUMI
			14.6.17	14.6.17	14.6.18
			APPROVED	RELEASED	
			T.ITO	..	
			14.6.18	14.6.18	
DRAWING NO. EDC3-276269-10			PART NO. HT801/DF62-2428(10)		
SCALE 1 : 1			CODE NO. CL550-0400-6-10		
UNITS mm			1/1		

1 2 3 4 5 6 7 8

TO
PE