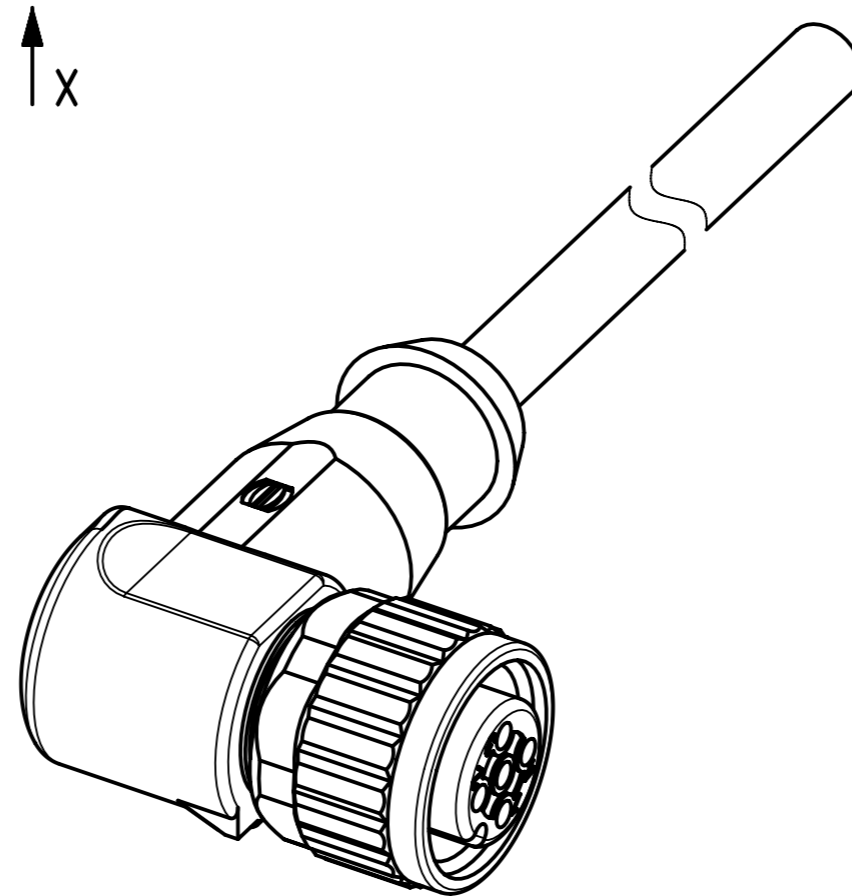


Loading-Plan:

- 1 brown
- 2 white
- 3 blue
- 4 black



- Protection level: IP67
 - Temperature range: -25°C ... +80°C

4,0 to 40	+1%
0,1 to 3,9	+0,04
a [m]	Tolerance

length in "1m" step	40	XXX=400
	39	XXX=390
	.	.
	12	XXX=120
	11	XXX=110
length in "0,1m" step	10	XXX=100
	9,9	XXX=099
	9,8	XXX=098
	.	.
	0,4	XXX=004
	0,3	XXX=003
	0,2	XXX=002
0,1	XXX=001	
Step	a [m]	XXX

Part no.	213486004XXXXX
-----------------	----------------

Type of cable	XX
PVC grey, 4x0,34mm ²	XX=84
PUR black, 4x0,34mm ²	XX=91

All rights reserved Department EC PD - RO HARTING Electronics GmbH D-32339 Espelkamp	All Dimensions in mm Original Size DIN A3	Scale 2:1	Free size tol.	Ref. Sub.
	Created by TAMAS	Inspected by	Standardisation	Date 2014-05-23
Title M12 A-coded Cable Assembly				Doc-Key / ECM-Nr. 100578836/UGD/009/A
Type TB		Number 213486004XXXXX		Rev. A
				Page 1/1