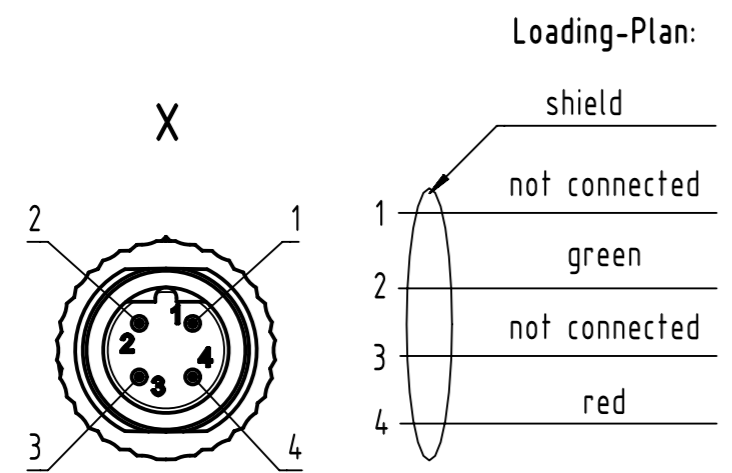
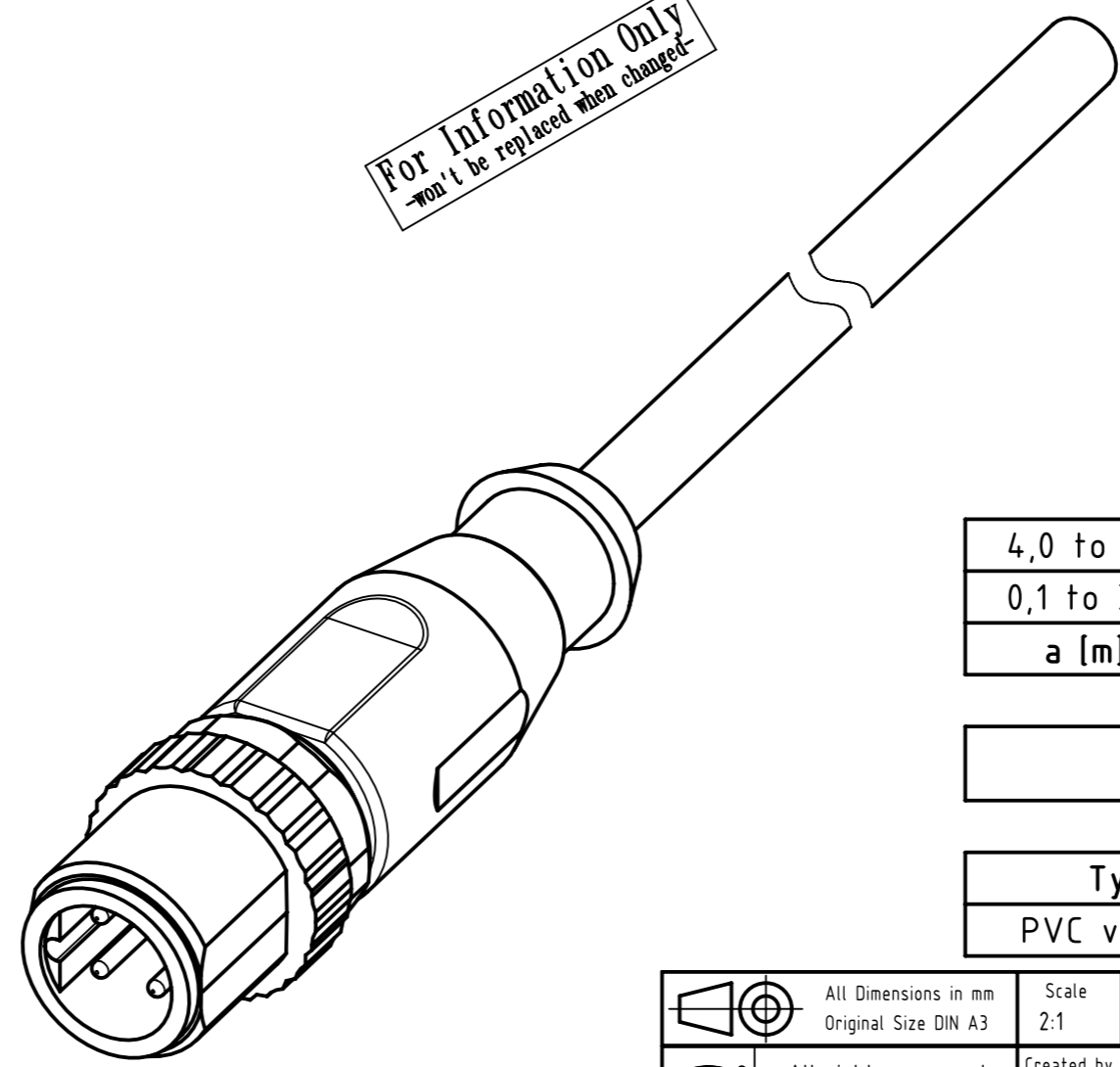


M12 B-coded 4-poles, male straight connector



For Information Only
 -won't be replaced when changed-



- Protection level: IP67
 - Temperature range: -30°C ... +60°C

4,0 to 40	+1%
0,1 to 3,9	+0,04
a [m]	Tolerance

length in "1m" step	40	XXX=400
	39	XXX=390
	.	.
	12	XXX=120
	11	XXX=110
length in "0,1m" step	10	XXX=100
	9,9	XXX=099
	9,8	XXX=098
	.	.
	0,4	XXX=004
	0,3	XXX=003
	0,2	XXX=002
	0,1	XXX=001
Step	a [m]	XXX

Part no.	213488004XXXXXX
-----------------	-----------------

Type of cable	XX
PVC violett, 2xAWG22	XX=86

All rights reserved Department EC PD - RO		All Dimensions in mm Original Size DIN A3	Scale 2:1	Free size tol.	Ref. Sub.
HARTING Electronics GmbH D-32339 Espelkamp	Created by TOMUTA	Inspected by	Standardisation	Date 2014-05-29	State Checked Out
Title M12 B-coded Cable Assembly		Type TB		Number 213488004XXXXXX	
Doc-Key / ECM-Nr. 100579378/UGD/009/A		Rev. A		Page 1/1	