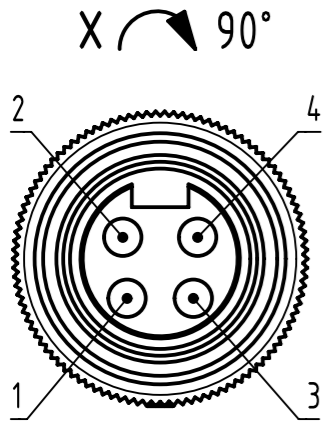
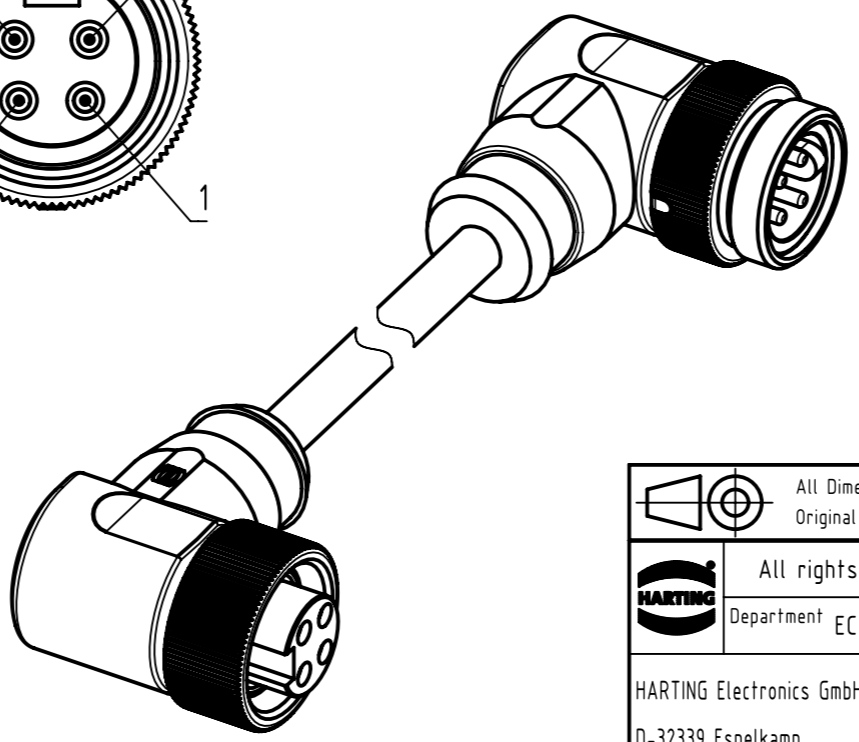
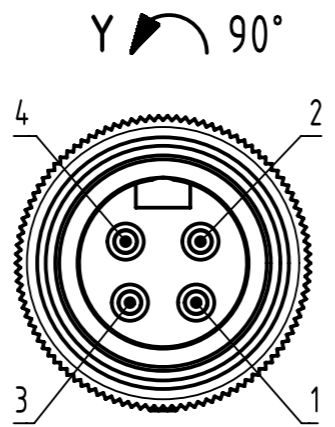


For Information Only
 -won't be replaced when changed-



- Loading-Plan:**
- 1 — brown — 1
 - 2 — white — 2
 - 3 — blue — 3
 - 4 — black — 4



- Protection level: IP67
 - Temperature range: -25°C ... +80°C

4.0 to 100	+1%
0.1 to 3.9	+0.04
a [m]	Tolerance

length in "1m" step	100	XXX=000
	99	XXX=990
	.	.
	12	XXX=120
length in "0.1m" step	11	XXX=110
	10	XXX=100
	9.9	XXX=099
	9.8	XXX=098
	.	.
	0.4	XXX=004
	0.3	XXX=003
	0.2	XXX=002
0.1	XXX=001	
Step	a [m]	XXX

Part no.	213498994XXX
Type of cable	XX
PVC grey, 4x1.5mm ²	XX=95
PUR black, 4x1.5mm ²	XX=96

All rights reserved Department EC PD - RO		All Dimensions in mm Original Size DIN A3	Scale 1.5:1 Free size tol.	Ref. Sub.
HARTING Electronics GmbH D-32339 Espelkamp	Created by TAMAS Inspected by Standardisation	Date 2014-06-17 State Checked Out	Title 7/8 Cable Assembly Type TB Number 213498994XXXX	Doc-Key / ECM-Nr. 100581026/UGD/009/A Rev. A Page 1/1