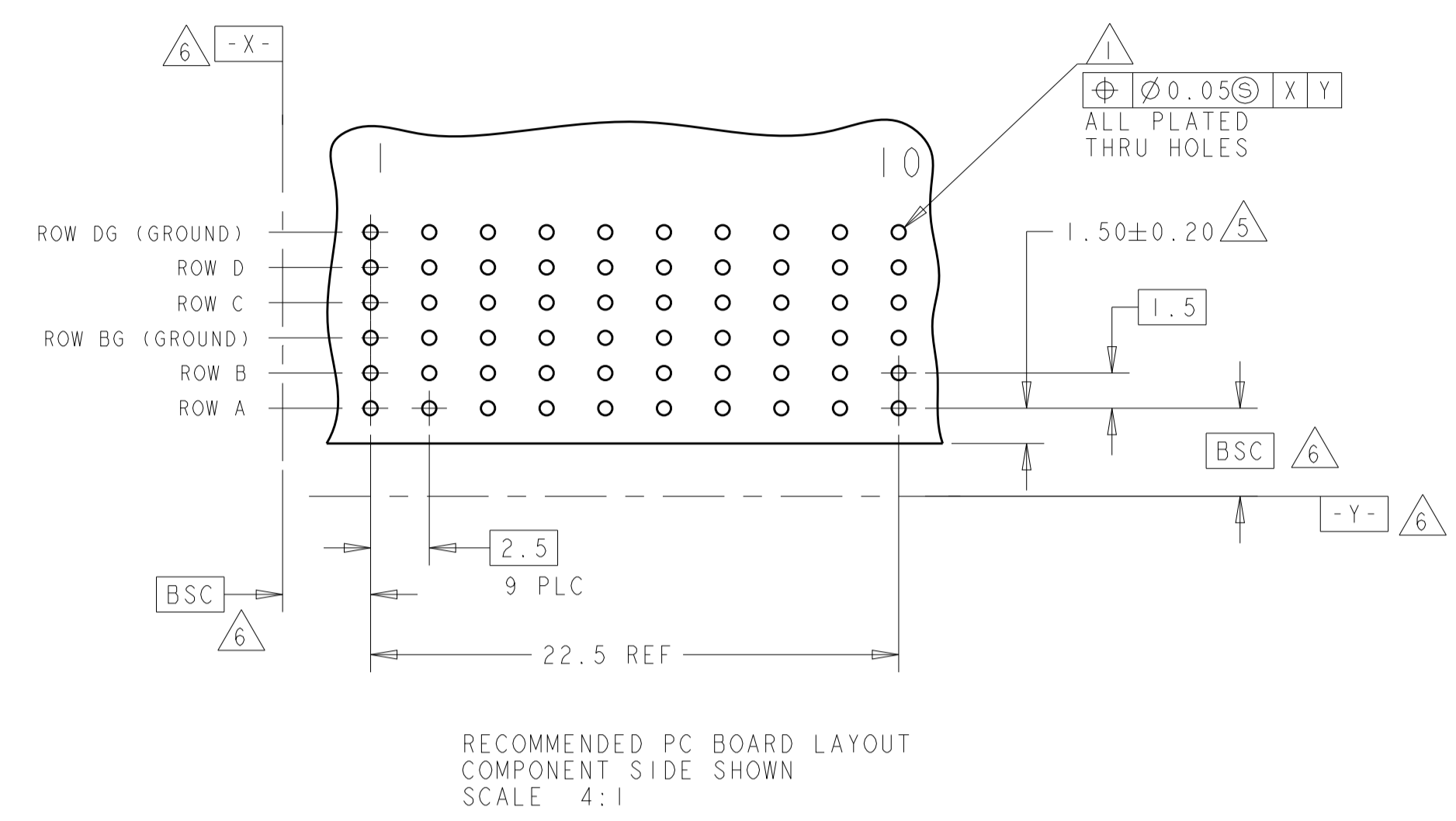
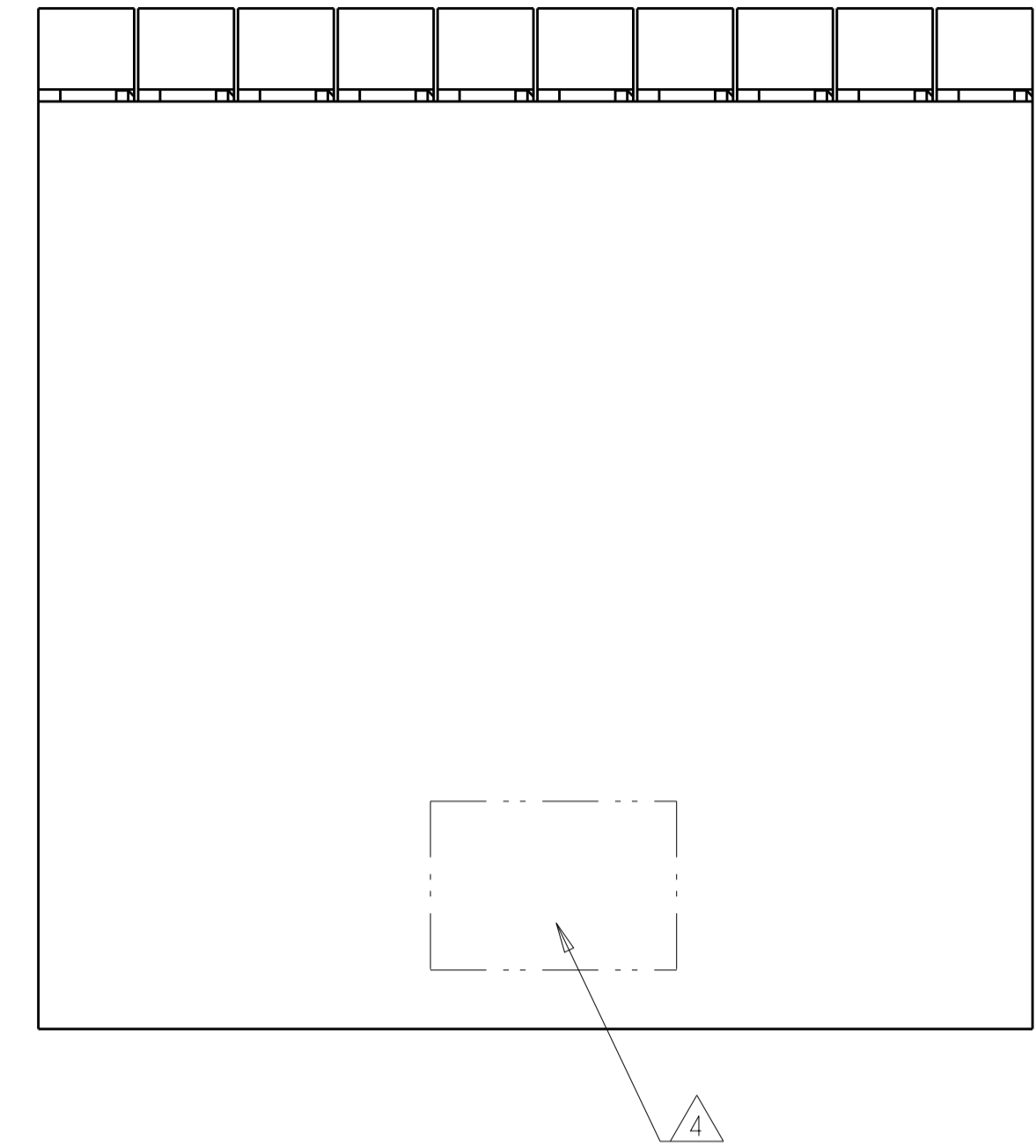
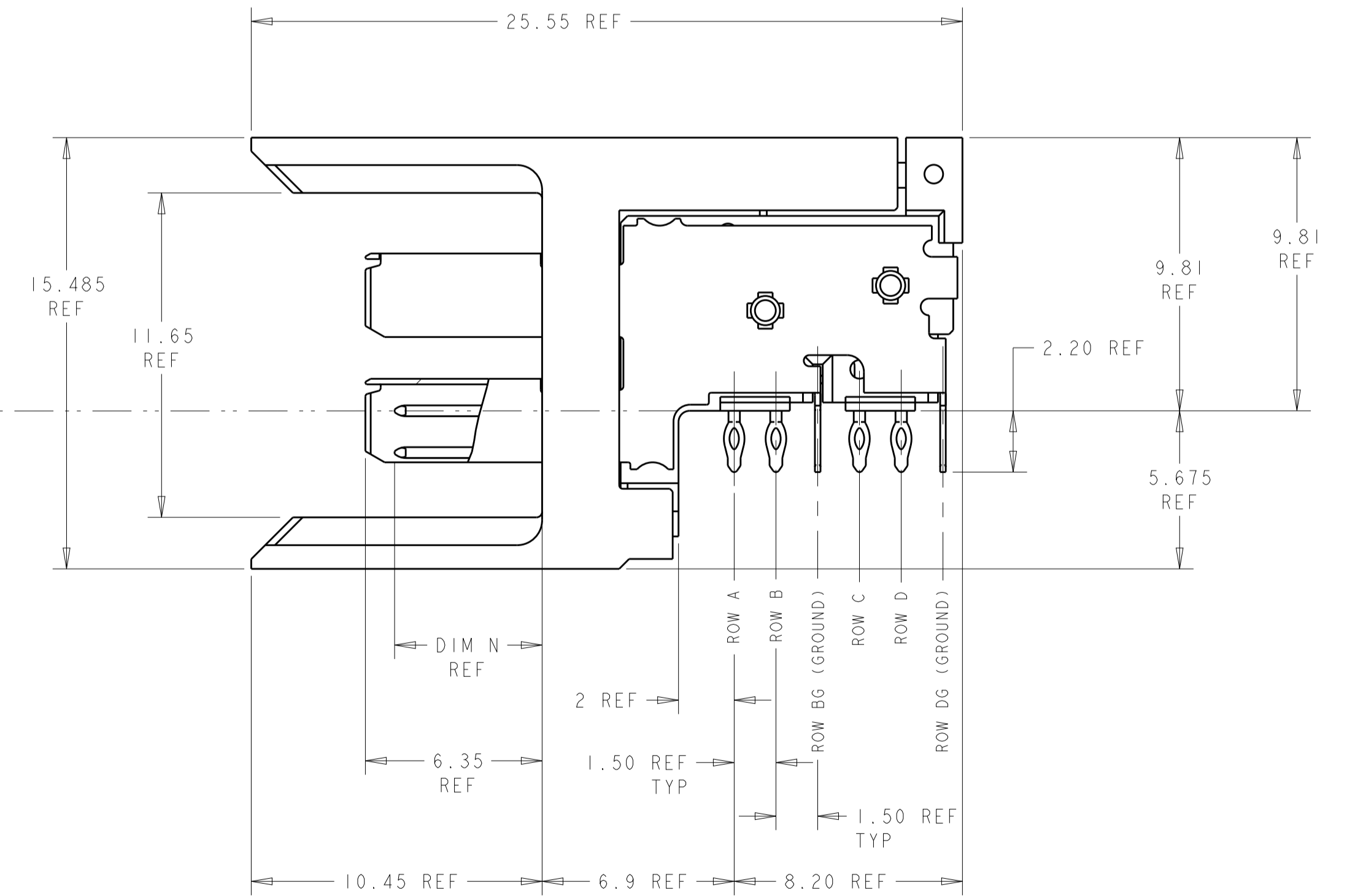
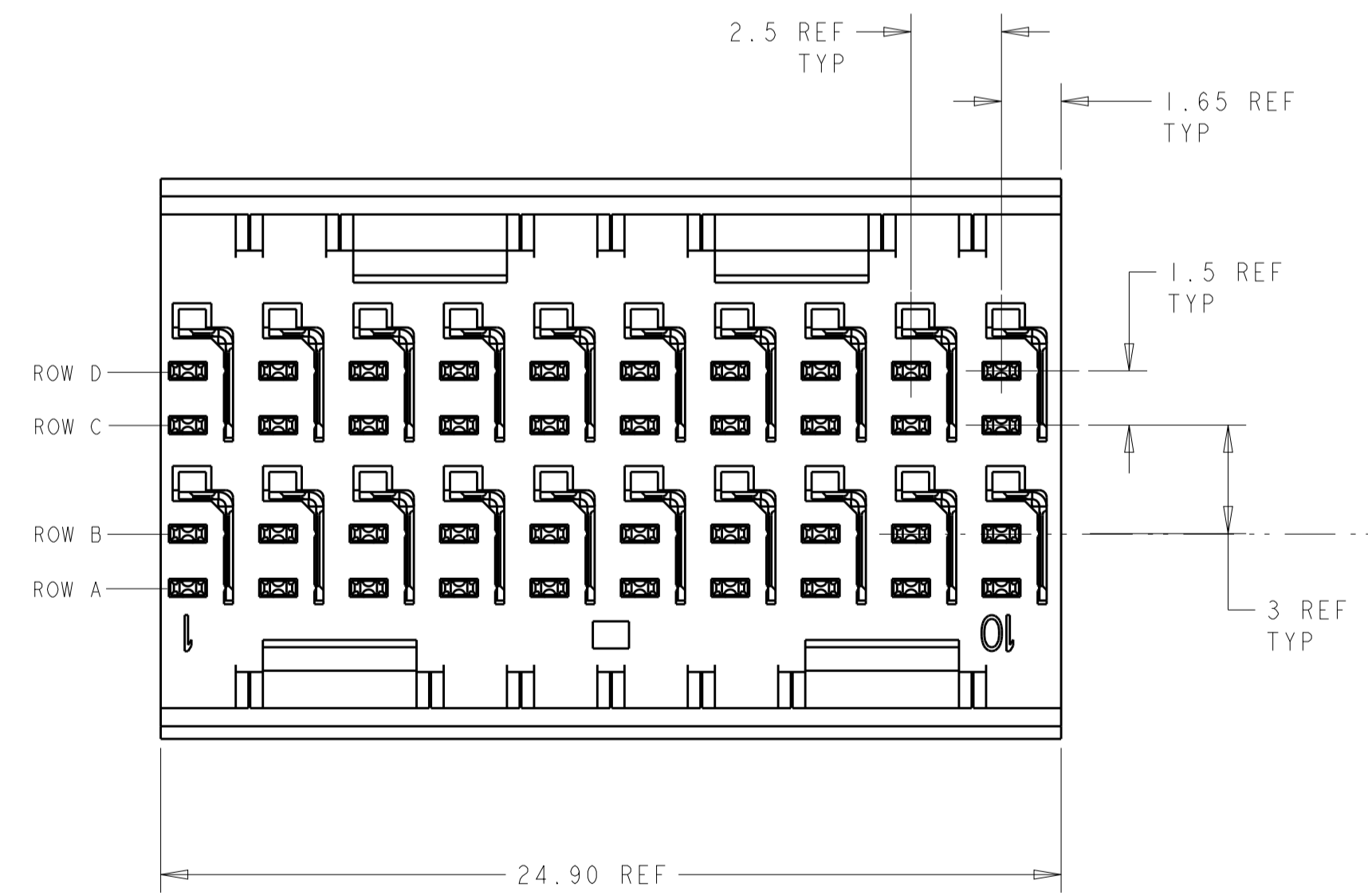


LOC		DIST		REVISIONS			
P	LTN	DESCRIPTION	DATE	DWN	APVD		
B		REV PER ECO-14-014238	20SEP2014	AP	RP		



- △ REFERENCE APPLICATION SPEC 114-13059 FOR RECOMMENDED PLATED THRU HOLE DIAMETER AND PLATING THICKNESSES.
- △ MATERIAL:
 CONTACT & SHIELD - PHOSPHOR BRONZE
 HOUSING & CHICKLET - GLASS FILLED POLYESTER
- △ FINISH: SIGNAL AND GROUND CONTACTS:
 MATING AREA: MEETS THE PERFORMANCE REQUIREMENTS OF PRODUCT SPECIFICATION 108-2055; BASED ON TELCORDIA GR-1217-CORE, APPLICATIONS IN UNCONTROLLED ENVIRONMENTS
 COMPLIANT PIN AREA: 0.5 μm MIN MATTE TIN OVER BASE PLATING
- △ CONNECTOR MARKED WITH PART NUMBER AND DATE CODE IN APPROXIMATE AREA SHOWN
- △ DIMENSION APPLIES TO CENTERLINE OF THRU HOLE
- △ DATUMS AND BASIC DIMENSIONS ESTABLISHED BY CUSTOMER
- 7. CONTACT AREA LUBRICATED WITH BELLCORE APPROVED LUBRICANT. TECHNICAL REFERENCE: GR-1217-CORE, ISSUE 1, NOVEMBER 1995



6469169-1
 PART NUMBER

THIS DRAWING IS A CONTROLLED DOCUMENT.		DWN S. J. MAGARO 18 JUL 2004	TE Connectivity	
DIMENSIONS:		CHK R. A. PATTERSON 18 JUL 2004	NAME HEADER ASSEMBLY, RIGHT ANGLE, 2 PAIR, COPLANAR, HMZd	
TOLERANCES UNLESS OTHERWISE SPECIFIED:		APVD R. PATTERSON 31 MAR 2006	PRODUCT SPEC	
mm		APPLICATION SPEC		
0 PLC ±0.2 1 PLC ±0.13 2 PLC ±0.05 3 PLC ±0.05 4 PLC ±0.05 ANGLES ±1°		SIZE CAGE CODE DRAWING NO RESTRICTED TO		
MATERIAL		WEIGHT		
FINISH		A100779C=6469169		
CUSTOMER DRAWING		SCALE 6:1 SHEET 1 OF 1 REV B		