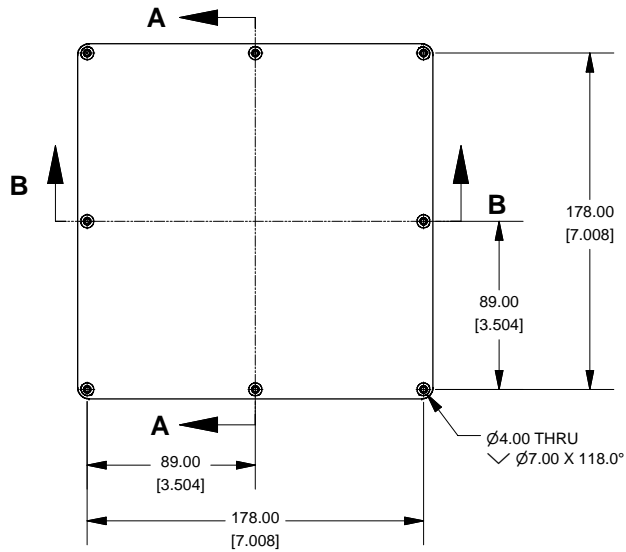
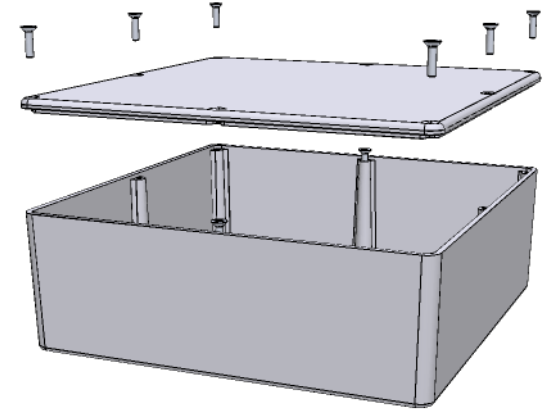
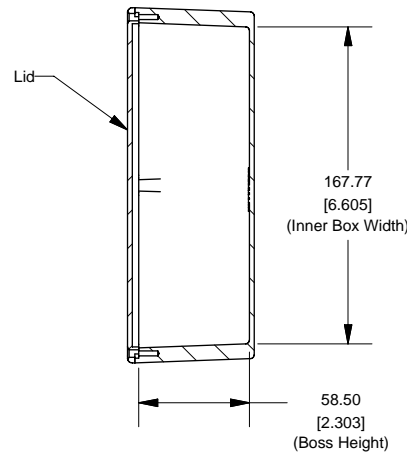


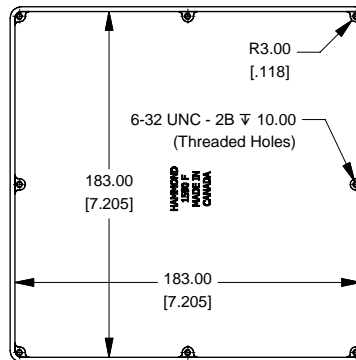
Top View of Assembly



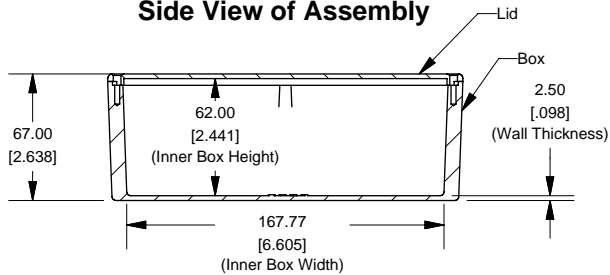
SECTION A-A End View of Assembly



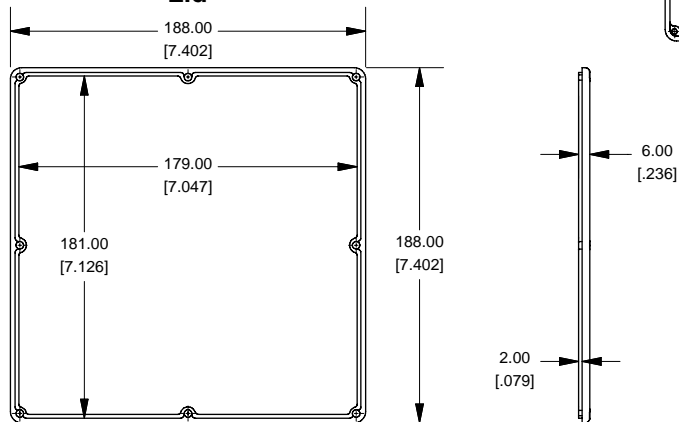
Top View Looking Inside Box



SECTION B-B Side View of Assembly



Lid



1590F (Basic)

Enclosures can be Factory Modified (Milling, Drilling, Printing etc.)
Solid models of this enclosure available in STEP or IGES.
Contact Factory mjm@hammondmg.com

NOTE

Purchased assembly includes box, lid and 6 cover screws.
Box and lid are made from Diecast Aluminum Alloy (alloy type 380).
Silicone Gasket Loctite #5950

PART NUMBERS

1590F Enclosure	
Unfinished	1590F
Grey Textured Polyester Powder Paint - RAL 7038	1590FGY
Black Textured Polyester Powder Paint - RAL 9011	1590FBK
1590F Liquid Resistant Enclosure (Silicon Factory Installed Gasket)	
Unfinished	1590WF
Black Textured Powder Paint	1590WFBK
ACCESSORIES	
Waterproof Cover Screws	
Black Textured Cover Screws (Pkg 50) [6-32 x 1/2" SS Type 304]	1590WMS100BK
Unfinished Cover Screws (Pkg 100) [6-32 x 1/2" Nickel Plated Screws]	1590WMS100
Standard Cover Screws	
Unfinished Cover Screws (Pkg 100) [6-32 x 1/2" Nickel Plated Screws]	1590MS100
Black Textured Cover Screws (Pkg 50) [6-32 x 1/2" SS Type 304]	1590MS100BK

