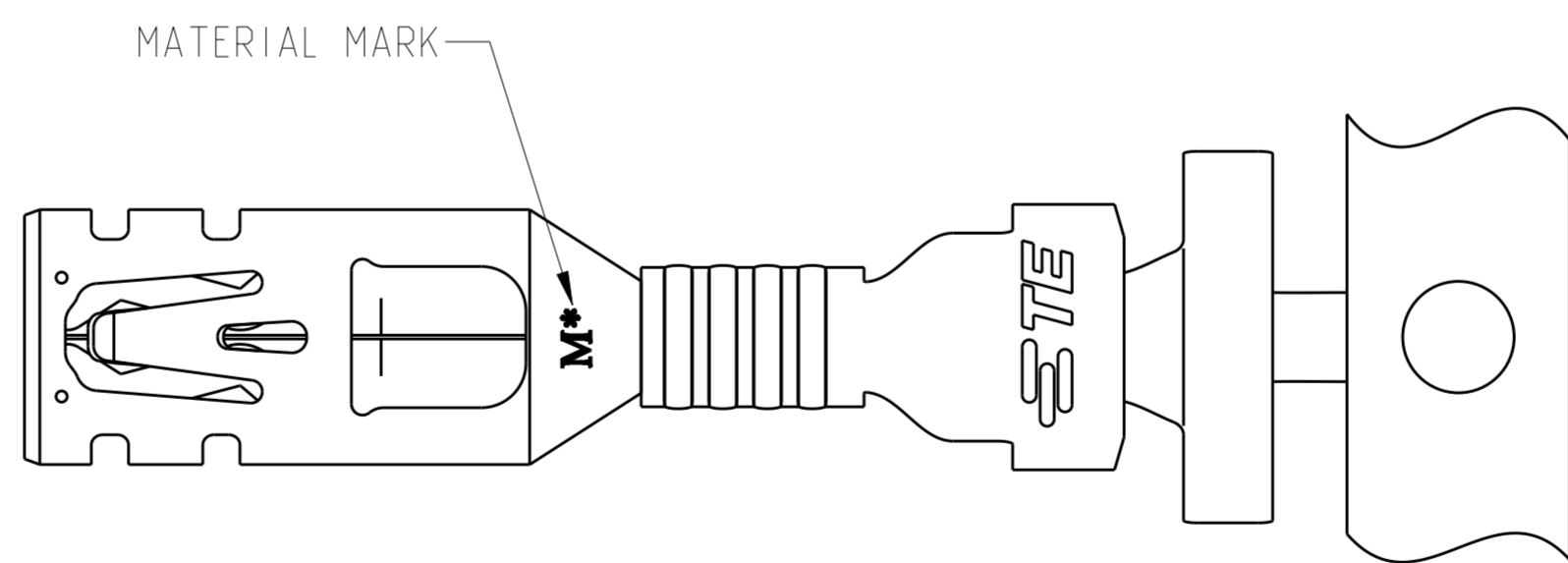
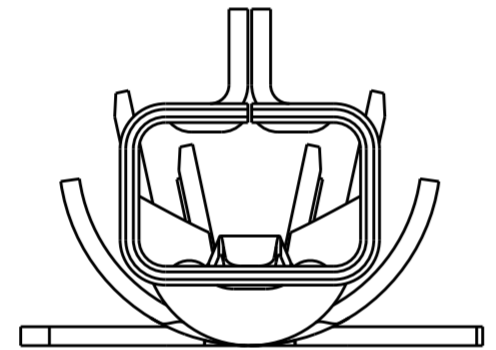
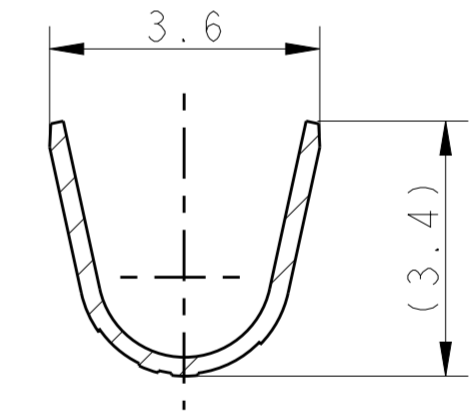
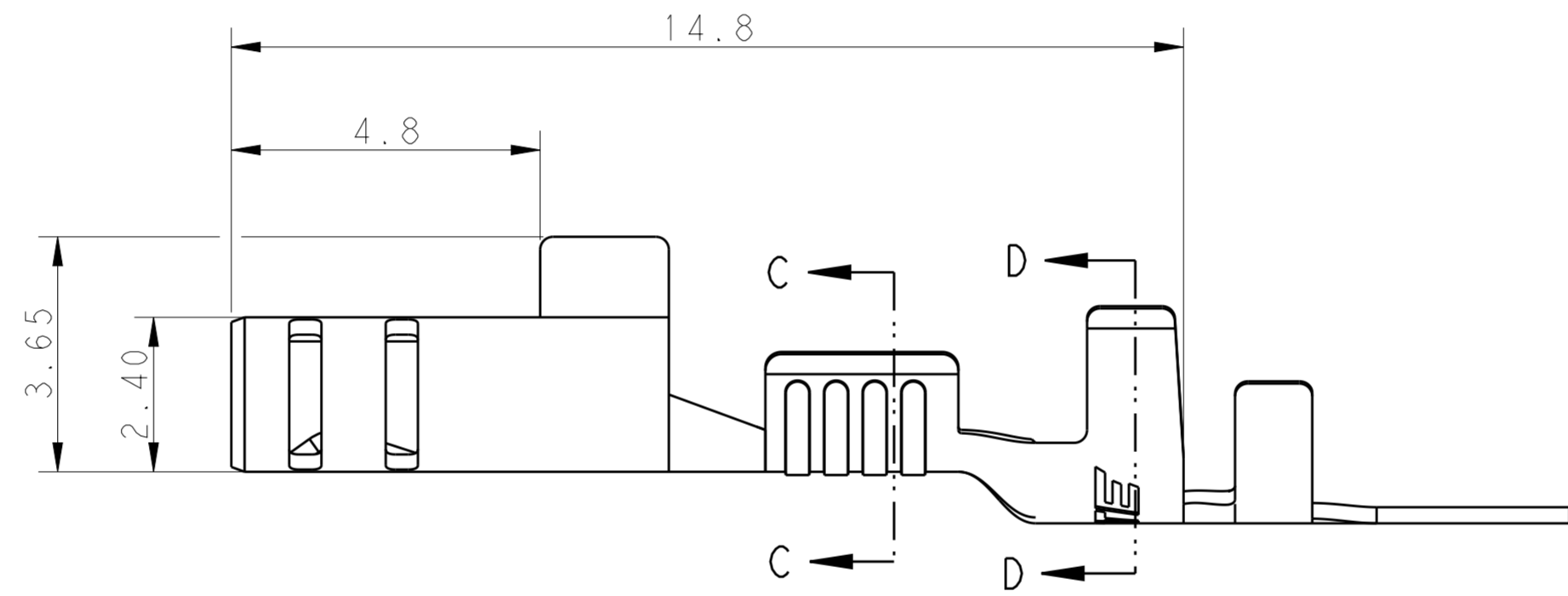
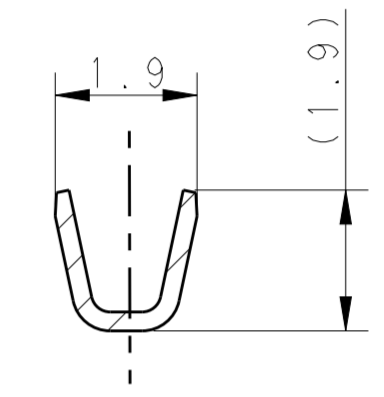
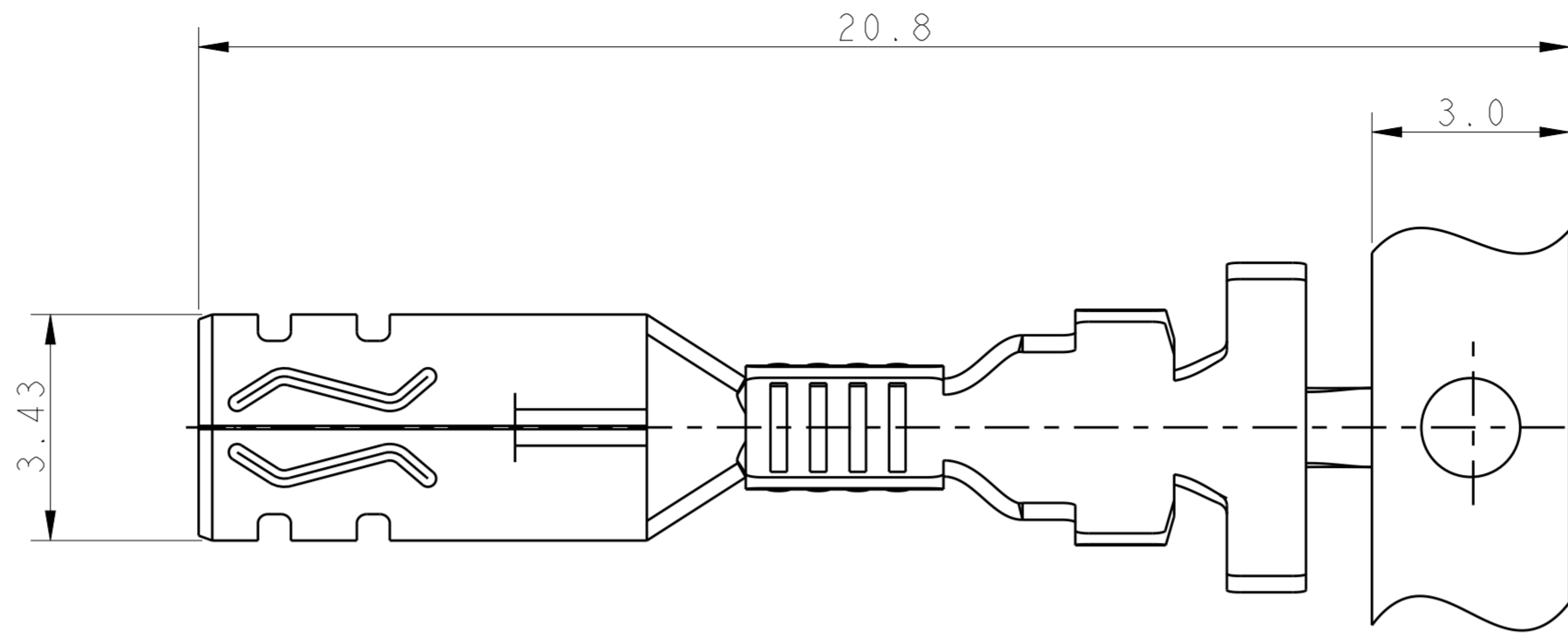


THIS DRAWING IS UNPUBLISHED. RELEASED FOR PUBLICATION 20  
 © COPYRIGHT 20 BY - ALL RIGHTS RESERVED.

LOC ES DIST 00

REVISIONS				
P	LTR	DESCRIPTION	DATE	APVD
B1		REVISED PER ECR-14-010857	14AUG2014	NK GJ



NOTE:

1. APPLICABLE WIRE: 20-22 AWG COPPER STRANDED
2. APPLICABLE INSULATION DIAMETER: 1.14-2.70mm
3. APPLICABLE MATED PLUG HOUSING P/N:  
 \*-1971773-\*/\*-1971776-\*/\*-1971876-\*/  
 \*-2232265-\*/\*-2232266-\*/\*-2232357-\*

4. THIS PRODUCT HAS NOT COMPLETED VALIDATION TESTING.

MATERIAL	TEMP. RATING	MATERIAL MARK	PART NO
COPPER ALLOY	HIGH(150°C)	M0	1971785-2
PHOS BRONZE	STANDARD(105°C)	M1	1971785-1

THIS DRAWING IS A CONTROLLED DOCUMENT.

DIMENSIONS: mm	TOLERANCES UNLESS OTHERWISE SPECIFIED: 0 PLC ± 1 PLC ±0.5 2 PLC ±0.30 3 PLC ± 4 PLC ±	DWN TOMMY WU 11JUL2012 CHK HAPYE WU 11JUL2012 APVD YUHONG MAO 11JUL2012	TE Connectivity	
MATERIAL SEE TABLE	FINISH PRE-TIN	PRODUCT SPEC 108-106118 APPLICATION SPEC 114-106118	NAME RECEPTACLE CONTACT POWER TRIPLE LOCK	
		WEIGHT -	SIZE A2	CAGE CODE 00779
		DRAWING NO 1971785		RESTRICTED TO -
Customer Drawing			SCALE -	SHEET 1 OF 1 REV B1