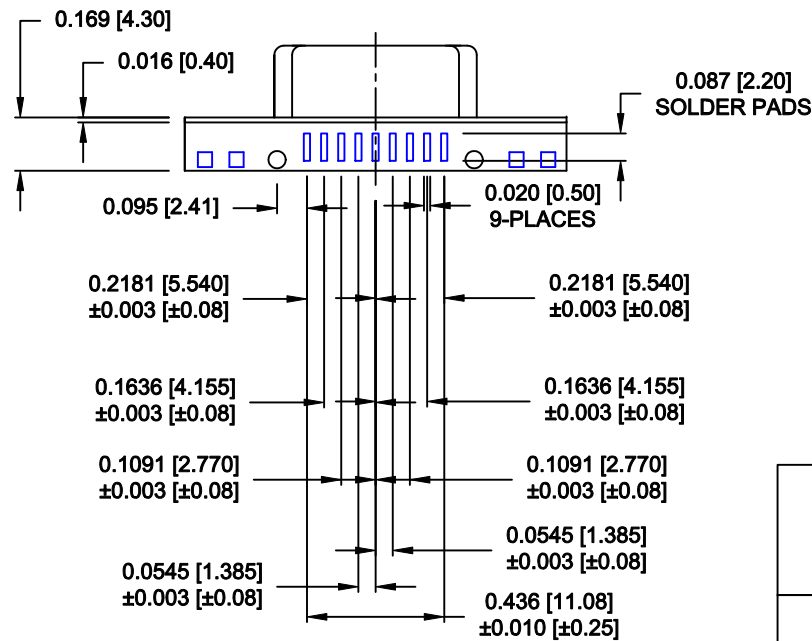
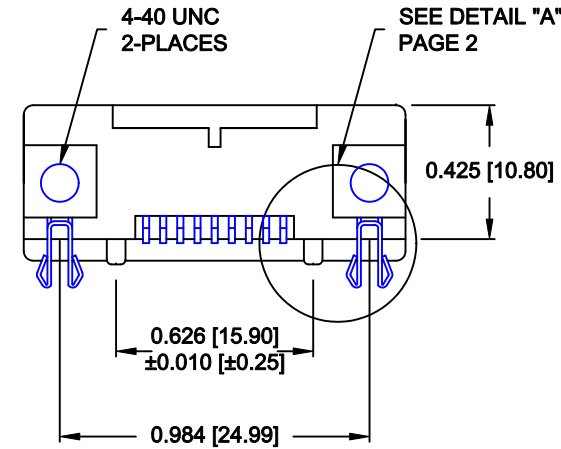
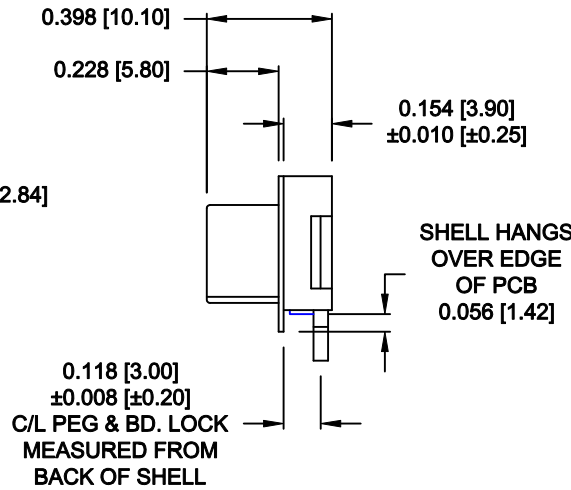
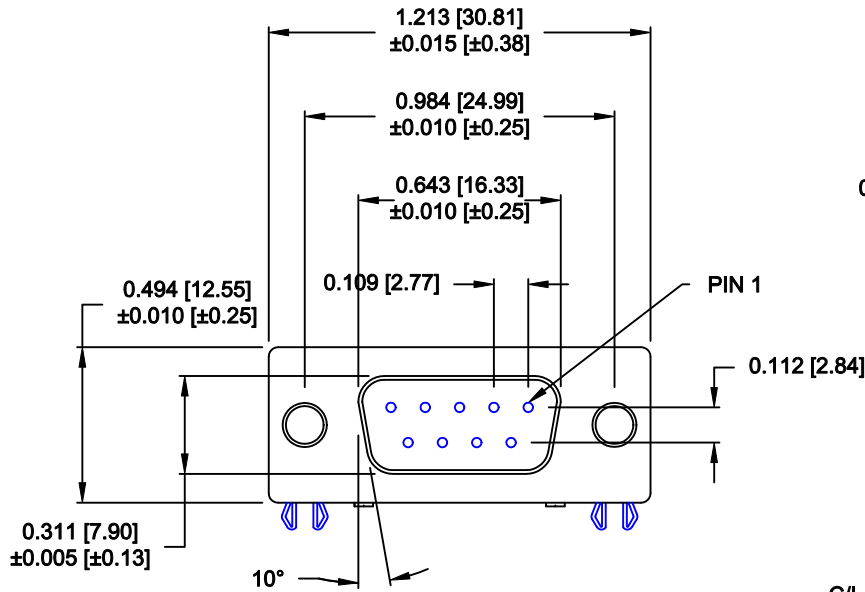


DESCRIPTION: 9 POS - FEMALE - SURFACE MOUNT

**MATERIAL/FINISH:**



SHELL: STEEL, NICKEL PLATED  
 BRACKET: BRASS, NICKEL PLATED  
 INSULATOR: NYLON 6T-UL 94V-0, BLACK, (TEMP. RESISTANCE 250° C FOR 60 SEC.)  
 INSULATOR: PATONE #322C, COLOR = Pc99  
 CONTACT PHOSPHOR BRONZE, TIN PLATED  
 GOLD FLASH - MATING AREA  
 TIN - TERMINATING AREA



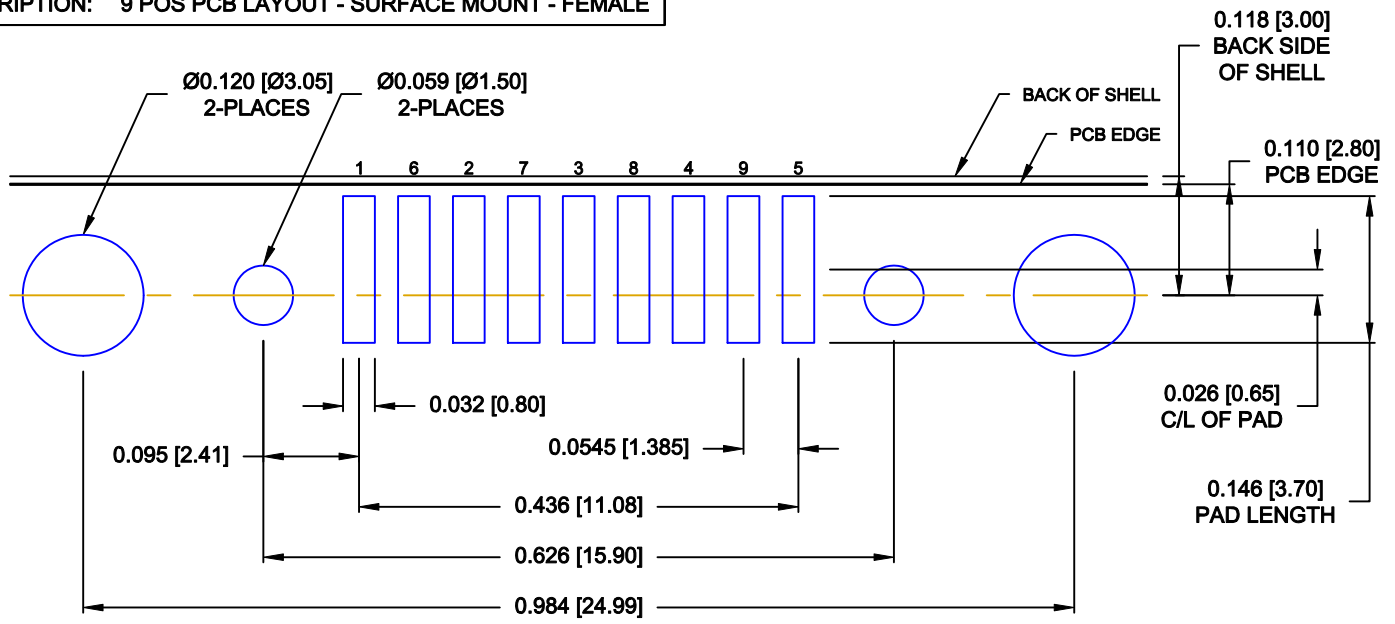
**ELECTRICAL:**

RATED CURRENT: 5 AMPS  
 RATED VOLTAGE: 300VDC  
 WITHSTANDING VOLTAGE: 500VAC (rms) FOR 1 Min.  
 INSULATION RESISTANCE: > 1,000mOhms AT 500VDC  
 CONTACT RESISTANCE: 13mOhms Max.  
 DIELECTRIC STRENGTH: 1,000VAC FOR 1 MINUTE  
 OPERATING TEMPERATURE: -55° ~ +105° C

DO NOT SCALE FROM DRAWING

	THESE DRAWINGS AND SPECIFICATIONS ARE THE PROPERTY OF NorComp AND SHALL NOT BE REPRODUCED, COPIED OR USED AS THE BASIS FOR THE MANUFACTURE OR SALE OF APPARATUS WITHOUT WRITTEN PERMISSION.		DRAWN: <b>C. SMITH</b>	DATE: <b>03-30-09</b>
			CHECKED:	DATE:
		SCALE: <b>1.5 : 1</b>	SHEET <b>1</b> OF <b>2</b>	REV <b>12</b>
		DWG NO. <b>190-009-263R001</b>		

RoHS COMPLIANT

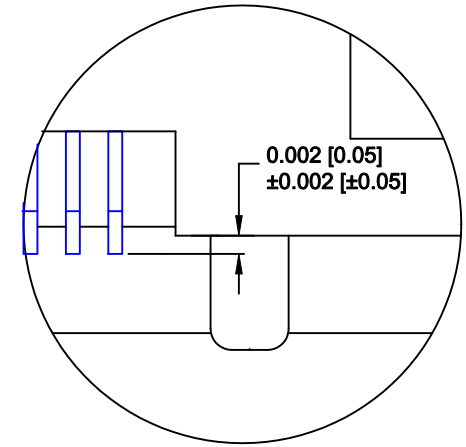


**RECOMMENDED PCB LAYOUT**

SCALE = 5 : 1

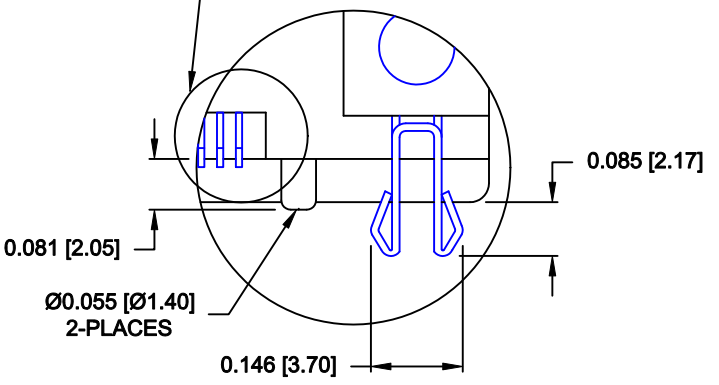
**CONTACT ARRANGEMENT**

1 6 2 7 3 8 4 9 5



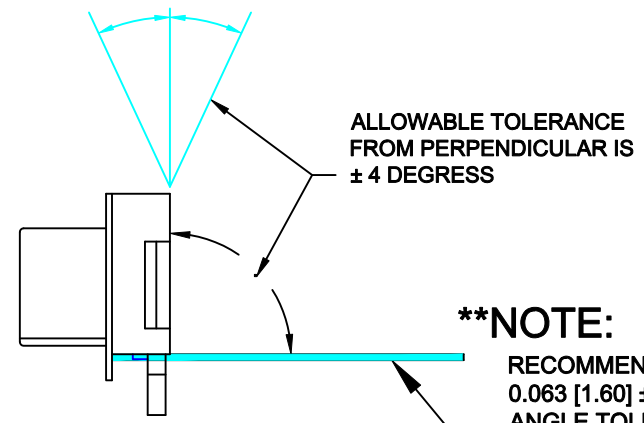
**DETAIL "B"**  
CONTACT COPLANARITY

SEE DETAIL "B" FOR CONTACT COPLANARITY



**DETAIL "A"**

SCALE = 3 : 1



DO NOT SCALE FROM DRAWING

	THESE DRAWINGS AND SPECIFICATIONS ARE THE PROPERTY OF NorComp AND SHALL NOT BE REPRODUCED, COPIED OR USED AS THE BASIS FOR THE MANUFACTURE OR SALE OF APPARATUS WITHOUT WRITTEN PERMISSION.		DRAWN: <b>C. SMITH</b>	DATE: <b>03-30-09</b>
			CHECKED:	DATE:
<h1>NorComp</h1>		SCALE: <b>6 : 1</b>	SHEET <b>2</b> OF <b>2</b>	REV <b>12</b>
		DWG NO. <b>190-009-263R001</b>		