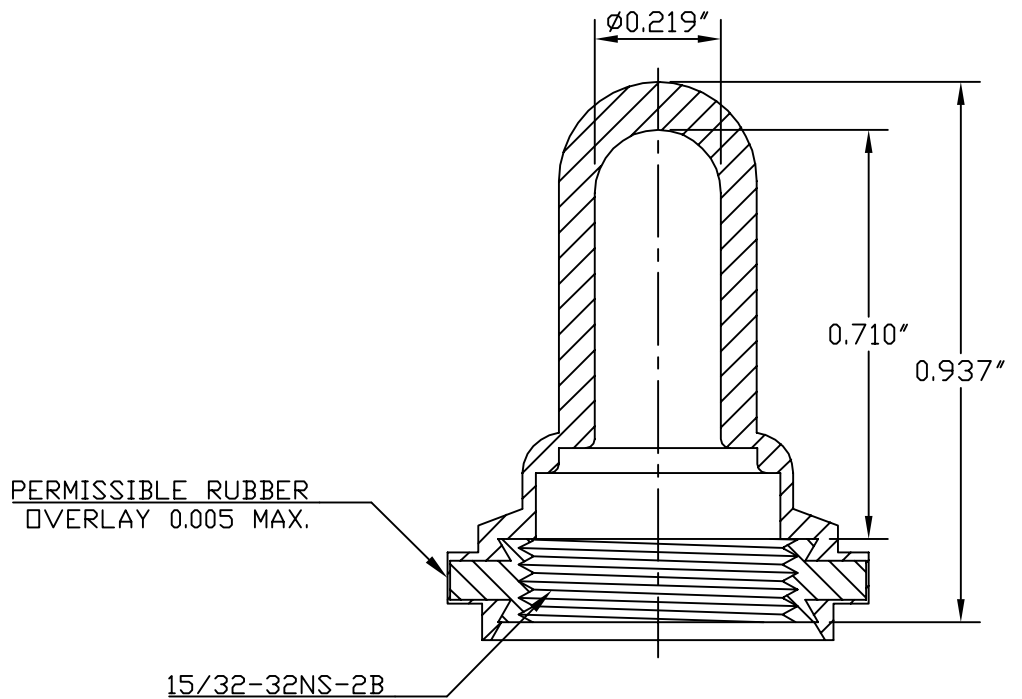
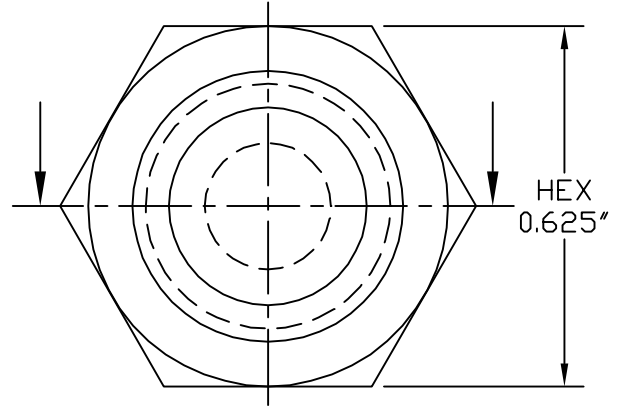


SPECIFICATIONS

Material: E-SEELS -- Silicone rubber polymer type ASTM D 1418
Mounting Nut: E-SEELS: Brass, black-oxide
Temperature Range: E-SEELS: -80°F to +400°F
Pressure Range: Exceeds 15 psi internal and 1500 psi external.
 (N5032B: 10 psi)
Operational Life: 50,000 actuations (minimum).
Shelf Life: Excess of 25 years.
Resistant to: Salt spray, sunlight, ozone, weather, fungus, and most acids and lubricating oils
Agency Recognition: E-SEELS and HEXSEALS are UL-listed to UL Std. 50 types 1-13, and meet CSA standards.
Installation: If a reducing adaptor is required - see page 14 of HEXSEAL catalog HEX200 for part numbers and drawing.



D	REDRAWN	S. GOK	08.19.09
C	CAD COMPUTER GENERATED		09.23.02
B	REDRAWN		09.12.74
REV.	DESCRIPTION		DATE
MAXIMUM AND MINIMUM MEASUREMENTS ARE STATED DIRECTLY ON EACH DIMENSION.		ENG.	M.M.
TITLE: BOOT, TOGGLE SWITCH #(C1131/28)		DWN.	J.PALUMBO
MAT'L: SILICONE RUBBER PER ASTM D 1418		CHKD.	J.CELLA
FINISH: BLACK		SCALE	(C1131/28)
APM-HEXSEAL CORPORATION		3: 1	E-SEEL®
		DWG. NO.	

THIS DRAWING COVERS PROPRIETARY ITEM AND IS THE PROPERTY OF THE APM-HEXSEAL CORPORATION.
 THIS DRAWING IS NOT TO BE COPIED OR USED WITHOUT THE WRITTEN APPROVAL OF AN OFFICER OF THE APM-HEXSEAL CORPORATION.