

MATERIALS AND FINISHES

BODY, CAP: ZINC ALLOY  
PLATED NICKEL

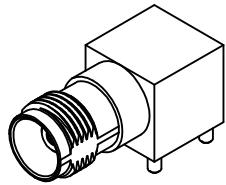
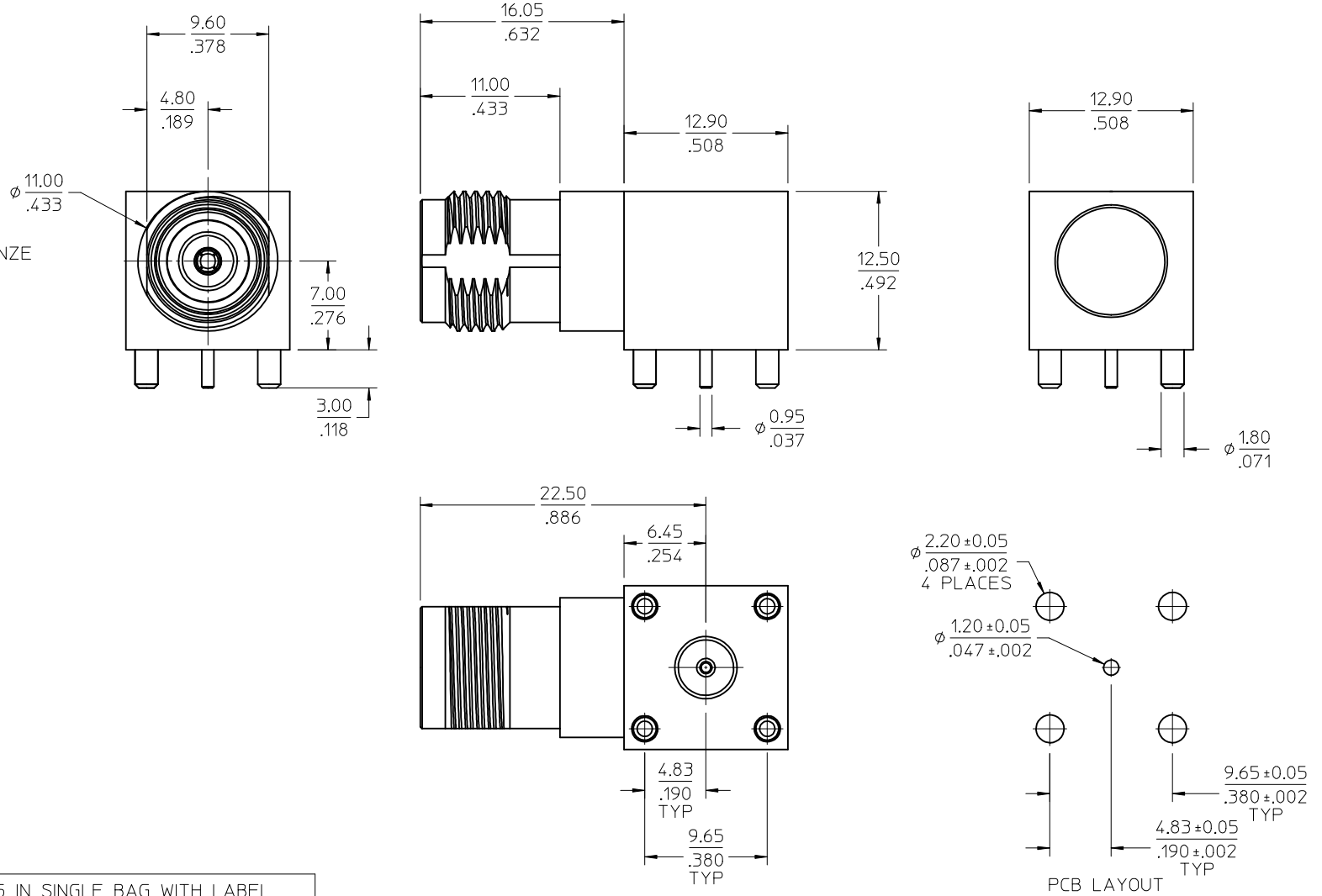
RING: BRASS  
PLATED NICKEL

LEGS: BRASS  
PLATED TIN

CONTACT FRONT: PHOSPHOR BRONZE  
PLATED GOLD

CONTACT REAR: BRASS  
PLATED GOLD

INSULATORS: TEFLON



73216-2710	1 PIECE 73100-0135 IN SINGLE BAG WITH LABEL
73100-0135	STANDARD
PART NO.	PACKAGING

PS-89675-1400	PRODUCT SPECIFICATION
MIL-STD-348A, FIG. 313.2	INTERFACE
SPECIFICATION	DESCRIPTION

CHG: CAP MATERIAL WAS BRASS.	EC NO: URF2015-0552	DRWN: AROBERTSON 2015/04/07	CHKD: SSS 2015/04/07	APPR: AROBERTSON 2015/04/10															
REV	A2	DESCRIPTION	QUALITY SYMBOLS	GENERAL TOLERANCES (UNLESS SPECIFIED)															
			▽=0	<table border="1"> <thead> <tr> <th></th> <th>mm</th> <th>INCH</th> </tr> </thead> <tbody> <tr> <td>4 PLACES</td> <td>± ---</td> <td>± ---</td> </tr> <tr> <td>3 PLACES</td> <td>± ---</td> <td>± ---</td> </tr> <tr> <td>2 PLACES</td> <td>± ---</td> <td>± ---</td> </tr> <tr> <td>1 PLACE</td> <td>± ---</td> <td>± ---</td> </tr> </tbody> </table>		mm	INCH	4 PLACES	± ---	± ---	3 PLACES	± ---	± ---	2 PLACES	± ---	± ---	1 PLACE	± ---	± ---
	mm	INCH																	
4 PLACES	± ---	± ---																	
3 PLACES	± ---	± ---																	
2 PLACES	± ---	± ---																	
1 PLACE	± ---	± ---																	
			▽=0	ANGULAR ± 2 °															
				DRAFT WHERE APPLICABLE MUST REMAIN WITHIN DIMENSIONS															

<table border="1"> <tr> <td>DIMENSION STYLE</td> <td>MM/IN</td> </tr> <tr> <td>SCALE</td> <td></td> </tr> <tr> <td>DESIGN UNITS</td> <td>METRIC</td> </tr> </table>	DIMENSION STYLE	MM/IN	SCALE		DESIGN UNITS	METRIC	<table border="1"> <tr> <td>TITLE</td> <td>TNC JACK RA PCB TH 50 OHM TNC-J/PCB</td> </tr> <tr> <td>DRAWN BY</td> <td>AROBERTSON</td> </tr> <tr> <td>DATE</td> <td>2011/03/31</td> </tr> <tr> <td>CHECKED BY</td> <td>SSS</td> </tr> <tr> <td>DATE</td> <td>2011/03/31</td> </tr> <tr> <td>APPROVED BY</td> <td>JWIENER</td> </tr> <tr> <td>DATE</td> <td>2011/04/04</td> </tr> </table>	TITLE	TNC JACK RA PCB TH 50 OHM TNC-J/PCB	DRAWN BY	AROBERTSON	DATE	2011/03/31	CHECKED BY	SSS	DATE	2011/03/31	APPROVED BY	JWIENER	DATE	2011/04/04
DIMENSION STYLE	MM/IN																				
SCALE																					
DESIGN UNITS	METRIC																				
TITLE	TNC JACK RA PCB TH 50 OHM TNC-J/PCB																				
DRAWN BY	AROBERTSON																				
DATE	2011/03/31																				
CHECKED BY	SSS																				
DATE	2011/03/31																				
APPROVED BY	JWIENER																				
DATE	2011/04/04																				
MATERIAL NO.	SEE TABLE																				
DOCUMENT NO.	SD-73100-0135																				
SHEET NO.	1 OF 1																				

MOLEX INCORPORATED	
THIS DRAWING CONTAINS INFORMATION THAT IS PROPRIETARY TO MOLEX INCORPORATED AND SHOULD NOT BE USED WITHOUT WRITTEN PERMISSION	

MATERIALS AND FINISHES

BODY, CAP: ZINC ALLOY  
PLATED NICKEL

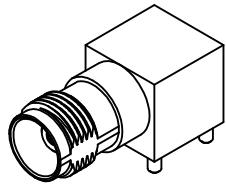
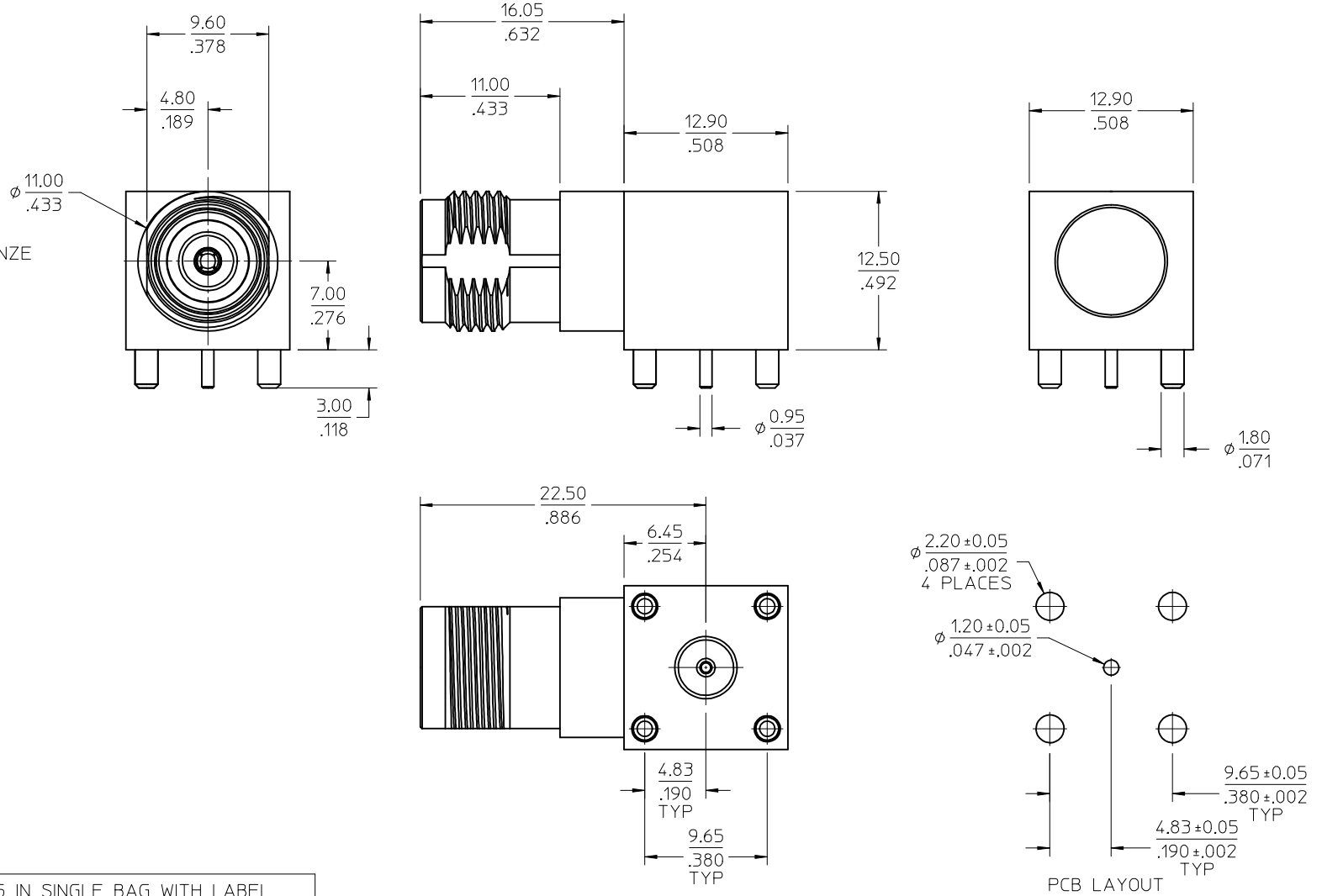
RING: BRASS  
PLATED NICKEL

LEGS: BRASS  
PLATED TIN

CONTACT FRONT: PHOSPHOR BRONZE  
PLATED GOLD

CONTACT REAR: BRASS  
PLATED GOLD

INSULATORS: TEFLON



73216-2710	1 PIECE 73100-0135 IN SINGLE BAG WITH LABEL
73100-0135	STANDARD
PART NO.	PACKAGING

PS-89675-1400	PRODUCT SPECIFICATION
MIL-STD-348A, FIG. 313.2	INTERFACE
SPECIFICATION	DESCRIPTION

CHG: CAP MATERIAL WAS BRASS.	EC NO: URF2015-0552	DRWN: AROBERTSON 2015/04/07	CHKD: SSS 2015/04/07	APPR: AROBERTSON 2015/04/10
	REV	DESCRIPTION		
A1				

QUALITY SYMBOLS	GENERAL TOLERANCES (UNLESS SPECIFIED)
▽=0	mm INCH
▽=0	4 PLACES ± --- ± ---
	3 PLACES ± --- ± ---
	2 PLACES ± --- ± ---
	1 PLACE ± --- ± ---
	ANGULAR ± 2 °

DRAWN BY	DATE	TITLE
AROBERTSON	2011/04/01	TNC JACK RA PCB TH 50 OHM TNC-J/PCB, EWR-4676
CHECKED BY	DATE	
SSS	2011/04/01	
APPROVED BY	DATE	
JWIENER	2011/04/04	
MATERIAL NO.		DOCUMENT NO.
SEE TABLE		SD-73216-271
DRAFT WHERE APPLICABLE MUST REMAIN WITHIN DIMENSIONS		SHEET NO. 1 OF 1

DIMENSION STYLE	SCALE	DESIGN UNITS	THIRD ANGLE PROJECTION
MM/IN		METRIC	
Molex MOLEX INCORPORATED			
THIS DRAWING CONTAINS INFORMATION THAT IS PROPRIETARY TO MOLEX INCORPORATED AND SHOULD NOT BE USED WITHOUT WRITTEN PERMISSION			