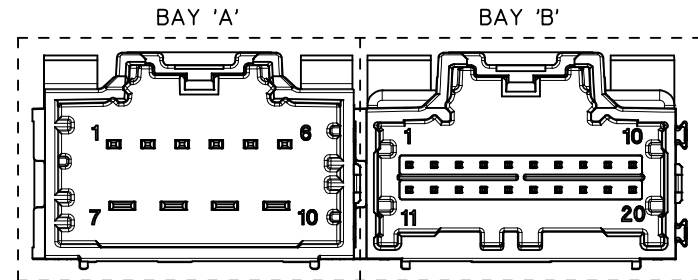


## 2 BAY STAC64 VERTICAL HEADER ASSEMBLY (P/N: 34707-2012 SHOWN)

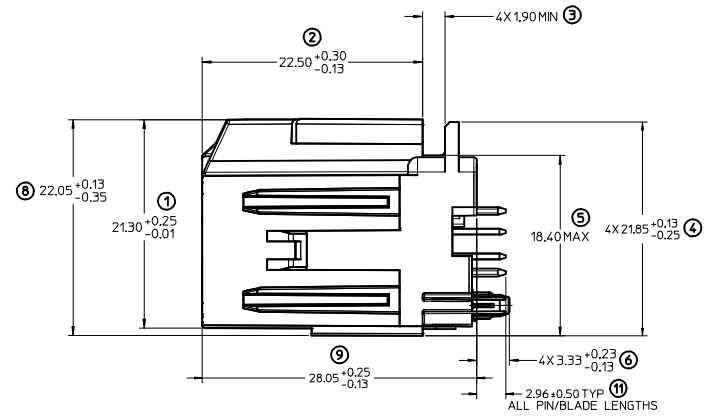
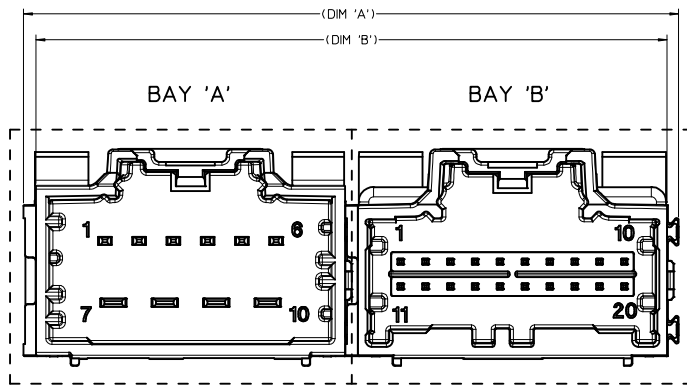
DIMENSIONAL CHART FOR MULTIBAY CONFIGURATION:

PART NUMBER (TUBE PKG)	PART NUMBER (TRAY PKG)	BAY A			BAY B			DIM 'A'	DIM 'B'	DIM 'C'	DIM 'D'
		CKT	TYPE	POL	CKT	TYPE	POL				
34707-7000	34707-2000	20	0.64mm	A	20	0.64mm	B	66.94	64.47	27.94	27.94
TBD	34707-2001	20	0.64mm	A	20	0.64mm	C	66.94	64.47	27.94	27.94
TBD	34707-2002	20	0.64mm	C	20	0.64mm	D	66.94	64.47	27.94	27.94
TBD	34707-2003	20	0.64mm	C	20	0.64mm	A	66.94	64.47	27.94	27.94
TBD	34707-2004	12	0.64mm	A	20	0.64mm	A	56.78	54.31	17.78	27.94
34707-7012	34707-2012	10	HYBRID	A	20	0.64mm	C	66.94	64.47	27.94	27.94
TBD	34707-2022	20	0.64mm	C	10	HYBRID	A	66.94	64.47	27.94	27.94
TBD	34707-2023	20	0.64mm	A	20	0.64mm	D	66.94	64.47	27.94	27.94
TBD	34707-2030	10	HYBRID	B	10	HYBRID	A	66.94	64.47	27.94	27.94
TBD	34707-2040	12	0.64mm	A	12	0.64mm	B	46.62	44.15	17.78	17.78
TBD	34707-2050	20	0.64mm	A	16	0.64mm	A	61.86	59.39	27.94	22.86
TBD	34707-2060	20	0.64mm	A	12	0.64mm	A	56.78	54.31	27.94	17.78
TBD	34707-2070	16	0.64mm	A	8	0.64mm	C	46.62	44.15	22.86	12.70
34707-7080	34707-2080	12	0.64mm	A	20	0.64mm	B	56.78	54.31	17.78	27.94
TBD	34707-2090	16	0.64mm	A	16	0.64mm	B	56.78	54.31	22.86	22.86



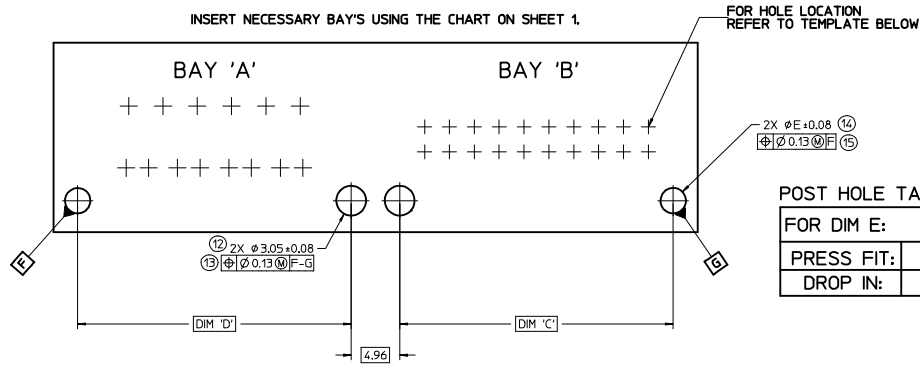
- NOTES: VALID UNLESS OTHERWISE SPECIFIED**
- 1. GENERAL:**
- a. CONNECTOR HEADER MUST BE VALIDATED TO THE FOLLOWING FUNCTIONAL REQUIREMENTS:
    - PRODUCT SPECIFICATION:
      - 8-20 CKT 0.64mm PRODUCT SPEC: PS-34729-100
      - 10 CKT HYBRID PRODUCT SPEC: PS-31372-100
  - b. APPLICATION REQUIREMENTS (REFERENCE ONLY):
    - APPLICATION SPECIFICATION: AS-34729-020
  - c. PACKAGING SPECIFICATION PER MOLEX DRAWING PK-31300-892 (TRAY)
  - d. PACKAGING SPECIFICATION PER MOLEX DRAWING PK-31301-063 (TUBE)
- 2. DESIGN: MATERIALS:**
- a. SHROUD (PLASTIC HOUSING):
    - RESIN - SPS 30%GF
    - COLORS:
      - POL A - BLACK
      - POL B - GRAY
      - POL C - BROWN
      - POL D - GREEN
  - b. 0.64mm PINS:
    - BASE MATERIAL: C26000
    - PLATING TYPE: AS NOTED
  - 150mm BLADES:
    - BASE MATERIAL: C19400
    - PLATING TYPE: AS NOTED
  - 280mm BLADES:
    - BASE MATERIAL: C19400
    - PLATING TYPE: AS NOTED
- 3. PLATING REQUIREMENTS:**
- a. UNDERPLATING - OVERALL NICKEL
  - b. OVERPLATING - OVERALL TIN
- 4. FOR DESCRIPTION OF INDIVIDUAL BAYS, REFER TO THE FOLLOWING SINGLE BAY DRAWINGS:**
- 8-20 CKT 0.64: SD-34690-100
  - 10 CKT HYBRID: SD-34695-100

ADDED POL COLOR EC NO: UAU2015-0976 DRWN: FISCHER01 2014/12/22 CHKD: APPR: RBALMAN 2015/01/05 DESCRIPTION:	QUALITY SYMBOLS	GENERAL TOLERANCES (UNLESS SPECIFIED)	DIMENSION STYLE	SCALE	DESIGN UNITS	THIRD ANGLE PROJECTION	
	▽=0 ▽=0	mm INCH 4 PLACES ±--- ±--- 3 PLACES ±--- ±--- 2 PLACES ±0.13 ±--- 1 PLACE ±0.25 ±--- ANGULAR ±3°	MM ONLY DRAWN BY DATE M BAILEY 9/04/2007 CHECKED BY DATE CDILLON 9/04/2007 APPROVED BY DATE SMARCEAU 2010/10/20	4:1 METRIC	MOLEX INCORPORATED	MOLEX INCORPORATED	SHEET NO. 1 OF 3
	DRAFT WHERE APPLICABLE MUST REMAIN WITHIN DIMENSIONS	SEE CHART	MATERIAL NO. SD-34707-200	DOCUMENT NO.	2-BAY STAC64 VERTICAL HEADER ASSEMBLY SALES DRAWING		
	THIS DRAWING CONTAINS INFORMATION THAT IS PROPRIETARY TO MOLEX INCORPORATED AND SHOULD NOT BE USED WITHOUT WRITTEN PERMISSION						



RECOMMENDED PCB LAYOUT

INSERT NECESSARY BAYS USING THE CHART ON SHEET 1.



FOR HOLE LOCATION REFER TO TEMPLATE BELOW

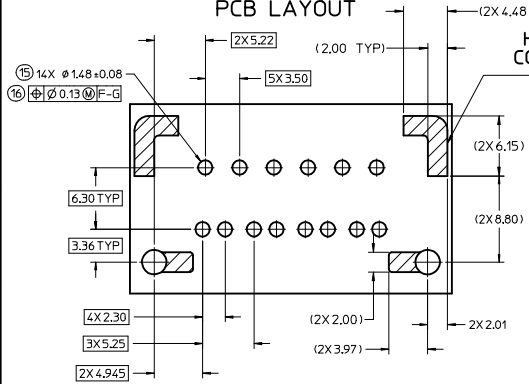
2X  $\phi E \pm 0.08$  (14)  
 $\phi \phi 0.13 \phi F$  (15)

POST HOLE TABLE:

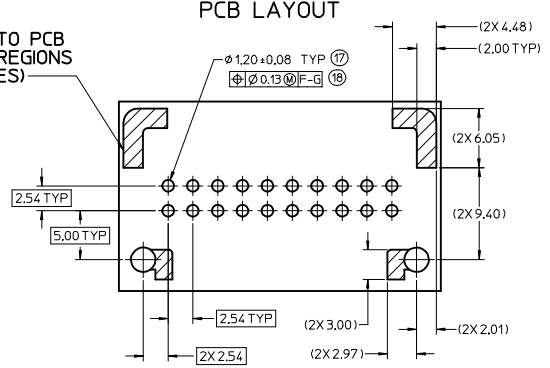
FOR DIM E:	
PRESS FIT:	2.60
DROP IN:	3.05

ADDED P/NDIMS:TOL IEC NO. UAU2015-0976 DRAWN: FISCHER01 2014/10/22 CHKD: APPR: BRALMAN 2015/01/05	QUALITY SYMBOLS	GENERAL TOLERANCES (UNLESS SPECIFIED) <table border="1"> <tr> <th></th> <th>mm</th> <th>INCH</th> </tr> <tr> <td>4 PLACES</td> <td>± 0.30</td> <td>± 0.012</td> </tr> <tr> <td>3 PLACES</td> <td>± 0.25</td> <td>± 0.010</td> </tr> <tr> <td>2 PLACES</td> <td>± 0.13</td> <td>± 0.005</td> </tr> <tr> <td>1 PLACE</td> <td>± 0.25</td> <td>± 0.010</td> </tr> </table> ANGULAR ± 3°		mm	INCH	4 PLACES	± 0.30	± 0.012	3 PLACES	± 0.25	± 0.010	2 PLACES	± 0.13	± 0.005	1 PLACE	± 0.25	± 0.010	DIMENSION STYLE <b>MM ONLY</b>	SCALE <b>4:1</b>	DESIGN UNITS <b>METRIC</b>	THIRD ANGLE PROJECTION
			mm	INCH																	
	4 PLACES	± 0.30	± 0.012																		
	3 PLACES	± 0.25	± 0.010																		
2 PLACES	± 0.13	± 0.005																			
1 PLACE	± 0.25	± 0.010																			
DRAWN BY M BAILEY DATE 9/04/2007	CHECKED BY CDILLON DATE 9/04/2007	APPROVED BY SMARCEAU DATE 2010/10/20	TITLE <b>2-BAY STAC64 VERTICAL HEADER ASSEMBLY SALES DRAWING</b>																		
DRAFT WHERE APPLICABLE MUST REMAIN WITHIN DIMENSIONS			MATERIAL NO. <b>SEE CHART</b>	DOCUMENT NO. <b>MOLEX INCORPORATED</b>																	
			SIZE <b>D</b>	SHEET NO. <b>2 OF 3</b>																	

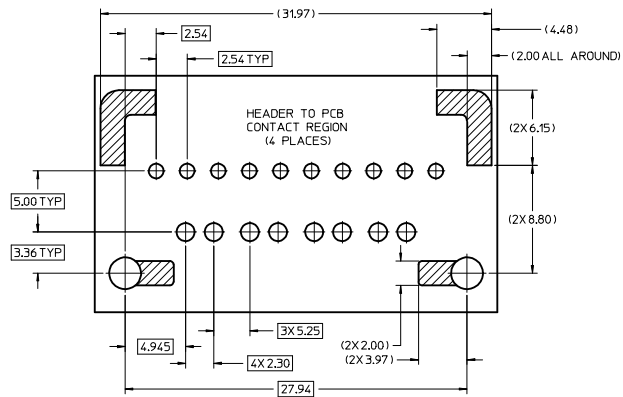
10 CKT HYBRID TEMPLATE PCB LAYOUT



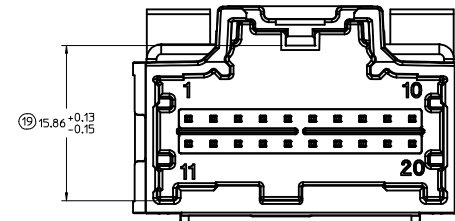
8-20 CKT 0.64mm TEMPLATE PCB LAYOUT



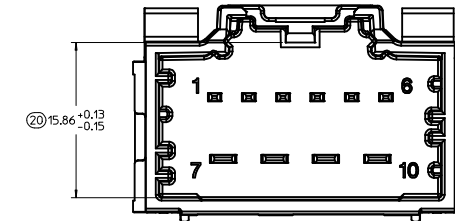
14 CKT HYBRID TEMPLATE PCB LAYOUT



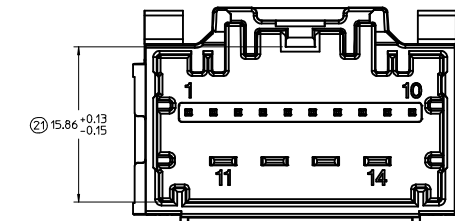
8-20 CKT 0.64mm INTERFACE



10 CKT HYBRID INTERFACE



14 CKT HYBRID INTERFACE

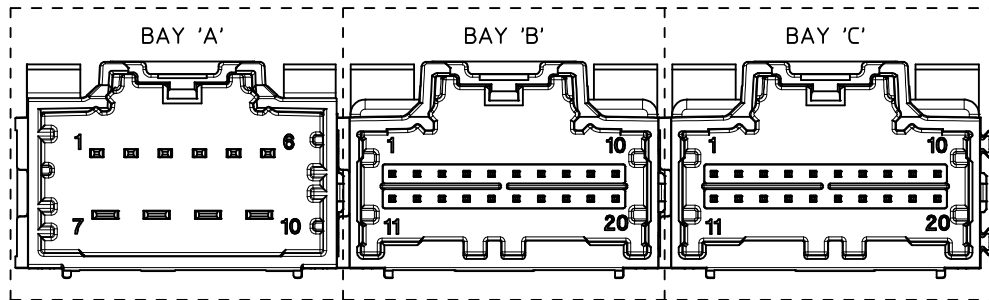


<b>ENTER DESCRIPTION</b> IEC NO. UAU2015-0976 DRAWN/FISCHER01 2014/10/22 CHKD: APPR:RBALMAN 2015/01/05	QUALITY SYMBOLS	GENERAL TOLERANCES (UNLESS SPECIFIED)	DIMENSION STYLE	SCALE	DESIGN UNITS	THIRD ANGLE PROJECTION
	$\nabla=0$	mm INCH	MM ONLY	4:1	METRIC	
	$\nabla=0$	4 PLACES $\pm$ --- $\pm$ ---	DRAWN BY	DATE	TITLE	
	$\nabla=0$	3 PLACES $\pm 0.13$ $\pm$ ---	MBAILEY	9/04/2007	2-BAY STAC64 VERTICAL HEADER ASSEMBLY SALES DRAWING	
	2 PLACES $\pm 0.25$ $\pm$ ---	CHECKED BY	DATE	DOCUMENT NO.		SHEET NO.
	1 PLACE $\pm$ ---	CDILLON	9/04/2007	SD-34707-200		3 OF 3
	0 PLACE $\pm$ ---	APPROVED BY	DATE	MATERIAL NO.		
		SMARCEAU	2010/10/20	SEE CHART		
		ANGULAR $\pm 3^\circ$		THIS DRAWING CONTAINS INFORMATION THAT IS PROPRIETARY TO MOLEX INCORPORATED AND SHOULD NOT BE USED WITHOUT WRITTEN PERMISSION		
		DRAFT WHERE APPLICABLE MUST REMAIN WITHIN DIMENSIONS				

DIMENSIONAL CHART FOR MULTIBAY CONFIGURATION:

PART NUMBER (TUBE PKG)	PART NUMBER (TRAY PKG)	BAY A			BAY B			BAY C			DIM 'A'	DIM 'B'	DIM 'C'	DIM 'D'	DIM 'E'
		CKT	TYPE	POL	CKT	TYPE	POL	CKT	TYPE	POL					
TBD	34707-3010	20	0.64mm	A	8	0.64mm	A	16	0.64mm	A	79.52	77.05	22.86	12.70	27.94
TBD	34707-3020	16	0.64mm	B	8	0.64mm	B	20	0.64mm	B	79.52	77.05	27.94	12.70	22.86
TBD	34707-3021	10	HYBRID	A	20	0.64mm	C	20	0.64mm	D	99.84	97.37	27.94	27.94	27.94
TBD	34707-3030	12	0.64mm	A	20	0.64mm	C	20	0.64mm	D	89.68	87.21	27.94	27.94	17.78
TBD	34707-3040	20	0.64mm	A	20	0.64mm	B	20	0.64mm	C	99.84	97.37	27.94	27.94	27.94
TBD	34707-3050	16	0.64mm	A	16	0.64mm	B	16	0.64mm	C	84.60	82.13	22.86	22.86	22.86
TBD	34707-3060	20	0.64mm	B	16	0.64mm	C	10	HYBRID	A	94.76	92.29	27.94	22.86	27.94
TBD	34707-3070	10	HYBRID	A	10	HYBRID	B	10	HYBRID	C	99.84	97.37	27.94	27.94	27.94
TBD	34707-3090	20	0.64mm	A	20	0.64mm	C	8	0.64mm	B	84.60	82.13	27.94	27.94	12.70
TBD	34707-3100	14	HYBRID	A	20	0.64mm	A	20	0.64mm	B	99.84	97.37	27.94	27.94	27.94

3-BAY STAC64 VERTICAL HEADER ASSEMBLY (P/N: 34707-3021 SHOWN)



NOTES: VALID UNLESS OTHERWISE SPECIFIED

1. GENERAL:

a. CONNECTOR HEADER MUST BE VALIDATED TO THE FOLLOWING FUNCTIONAL REQUIREMENTS:

PRODUCT SPECIFICATION:  
 8-20 CKT 0.64mm PRODUCT SPEC: PS-34729-020  
 10 CKT HYBRID PRODUCT SPEC: PS-31372-100

b. APPLICATION REQUIREMENTS (REFERENCE ONLY):

APPLICATION SPECIFICATION: AS-34729-020

c. PACKAGING SPECIFICATION PER MOLEX DRAWING PK-31300-892 (TRAY)

c. PACKAGING SPECIFICATION PER MOLEX DRAWING PK-31301-063 (TUBE)

2. DESIGN MATERIALS:

a. SHROUD (PLASTIC HOUSING):  
 RESIN - SPS 30%GF  
 COLOR:  
 POL A - BLACK  
 POL B - GRAY  
 POL C - BROWN  
 POL D - GREEN

b. 0.64mm PINS:  
 BASE MATERIAL: C26000  
 PLATING TYPE: AS NOTED

150mm BLADES:  
 BASE MATERIAL: C19400  
 PLATING TYPE: AS NOTED

2.80mm BLADES:  
 BASE MATERIAL: C19400  
 PLATING TYPE: AS NOTED

3. PLATING REQUIREMENTS:

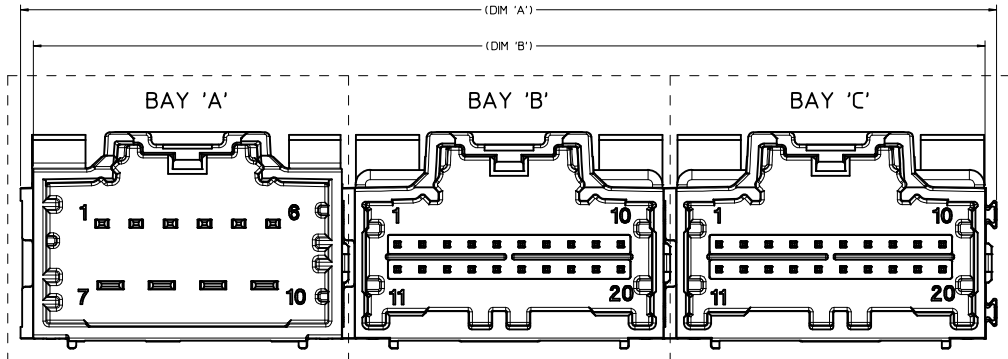
a. UNDERPLATING - OVERALL NICKEL

b. OVERPLATING - OVERALL TIN

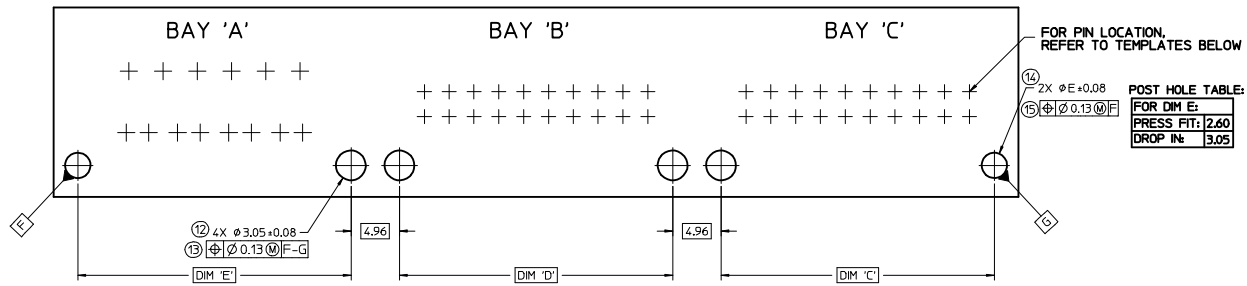
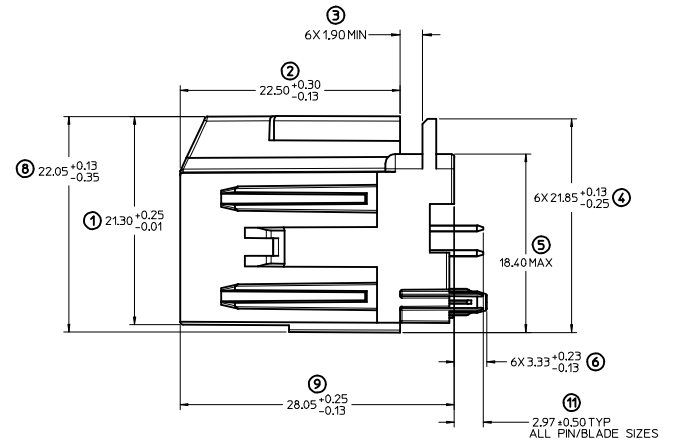
4. FOR DESCRIPTION OF INDIVIDUAL BAYS, REFER TO THE FOLLOWING

SINGLE BAY DRAWINGS:  
 8-20 CKT 0.64: SD-34690-100  
 10 CKT HYBRID: SD-34695-100

ADDED POL COLOR EC NO: UAU2015-0327 DRAWN: FISCHER01 2014/08/27 CHKD: APPROVAL: APPR: RAJMAN 2014/09/02 DESCRIPTION:	QUALITY SYMBOLS ▽=0 ▽=0		GENERAL TOLERANCES (UNLESS SPECIFIED): mm INCH 4 PLACES ±--- ±--- 3 PLACES ±--- ±--- 2 PLACES ±0.13 ±--- 1 PLACE ±0.25 ±--- ANGULAR ± 1°		DIMENSION STYLE MM ONLY		SCALE 4:1	DESIGN UNITS METRIC	THIRD ANGLE PROJECTION
	DRAWN BY VDANIELE		DATE 9/05/2008		TITLE 3-BAY STAC64 VERTICAL HEADER ASSEMBLY SALES DRAWING		MOLEX INCORPORATED		
	CHECKED BY CDILLON		DATE 9/05/2008		APPROVED BY SMARCEAU		DATE 2010/10/20		DOCUMENT NO. SD-34707-300
	DRAFT WHERE APPLICABLE MUST REMAIN WITHIN DIMENSIONS		SEE CHART		MATERIAL NO.		SHEET NO. 1 OF 3		



RECOMMENDED PCB LAYOUT  
INSERT NECESSARY BAYS USING CHART ON SHEET 1



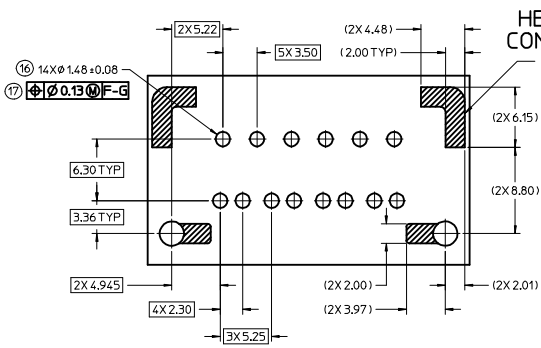
FOR PIN LOCATION, REFER TO TEMPLATES BELOW

POST HOLE TABLE:

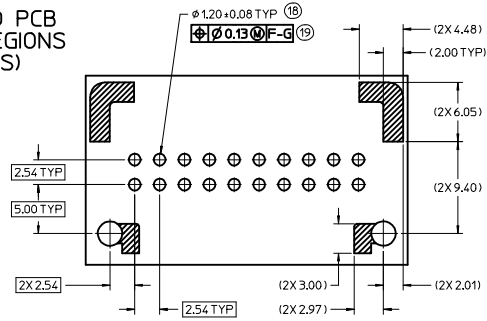
FOR DIM E:	
PRESS FIT:	2.60
DROP IN:	3.05

OK TO TOOL EC NO: UAU2015-0327 DRWN: FISCHER01 2014/08/27 CHKD: APPR: RBAUMAN 2014/09/02	QUALITY SYMBOLS ▽=0 ▽=0	GENERAL TOLERANCES (UNLESS SPECIFIED): mm INCH 4 PLACES +--- +--- 3 PLACES +--- +--- 2 PLACES ±0.13 ±--- 1 PLACE ±0.25 ±--- ANGULAR ± 1°	DIMENSION STYLE MM ONLY	SCALE 4:1	DESIGN UNITS METRIC	THIRD ANGLE PROJECTION	
	DRAWN BY VDANIELE	DATE 9/05/2008	CHECKED BY EDILLON	DATE 9/05/2008	TITLE 3-BAY STAC64 VERTICAL HEADER ASSEMBLY SALES DRAWING		
	APPROVED BY SMARCEAU	DATE 2010/10/20	MATERIAL NO. SEE CHART		DOCUMENT NO. SD-34707-300		SHEET NO. 2 OF 3
	DRAFT WHERE APPLICABLE MUST REMAIN WITHIN DIMENSIONS						THIS DRAWING CONTAINS INFORMATION THAT IS PROPRIETARY TO MOLEX INCORPORATED AND SHOULD NOT BE USED WITHOUT WRITTEN PERMISSION

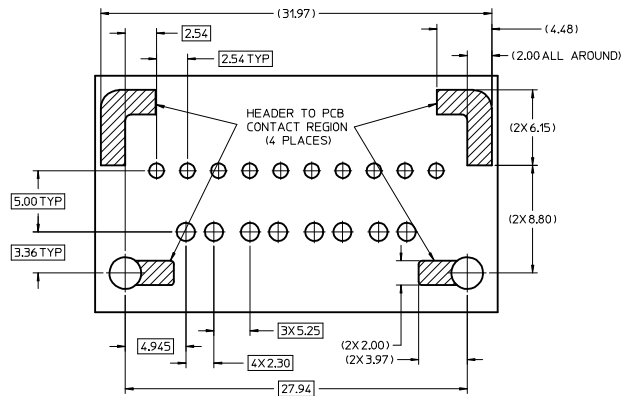
10 CKT HYBRID TEMPLATE  
PCB LAYOUT



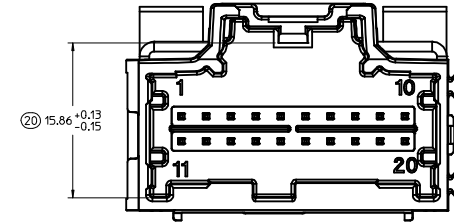
8-20 CKT 0.64mm TEMPLATE  
PCB LAYOUT



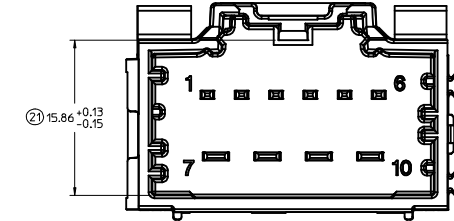
14 CKT HYBRID TEMPLATE  
PCB LAYOUT



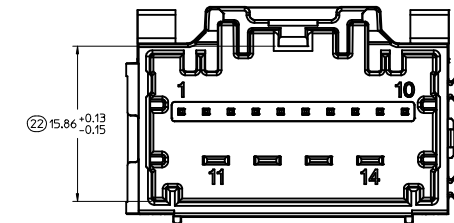
8-20 CKT 0.64mm INTERFACE



10 CKT HYBRID INTERFACE



14 CKT HYBRID INTERFACE

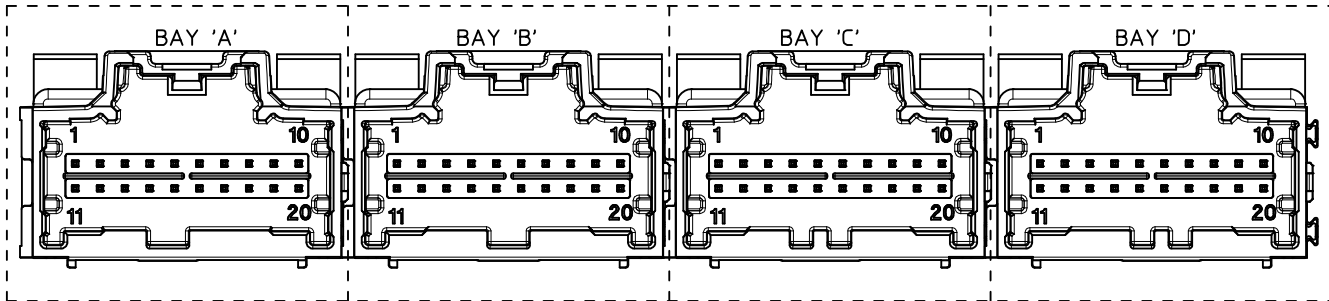


<b>ENTER DESCRIPTION</b> IEC NO. UAU2015-0327 DRAWN BY FISCHER01 2014/08/27 CHKD: J APPR: BRALMAN 2014/09/02	QUALITY SYMBOLS	GENERAL TOLERANCES (UNLESS SPECIFIED)	DIMENSION STYLE	SCALE	DESIGN UNITS	THIRD ANGLE PROJECTION	
	∇=0 ∇=0 ∇=0	mm INCH 4 PLACES ± --- ± --- 3 PLACES ± --- ± --- 2 PLACES ± 0.13 ± --- 1 PLACE ± 0.25 ± --- 0 PLACE ± --- ± ---	MM ONLY	4:1	METRIC	DRAWN BY DATE VDANIELE 9/05/2008 CHECKED BY DATE CDILLON 9/05/2008 APPROVED BY DATE SMARCEAU 2010/10/20	TITLE 3-BAY STAC64 VERTICAL HEADER ASSEMBLY SALES DRAWING
	ANGULAR ± 1 ° DRAFT WHERE APPLICABLE MUST REMAIN WITHIN DIMENSIONS	MATERIAL NO. SEE CHART	DOCUMENT NO. SD-34707-300	SHEET NO. 3 OF 3			
	THIS DRAWING CONTAINS INFORMATION THAT IS PROPRIETARY TO MOLEX INCORPORATED AND SHOULD NOT BE USED WITHOUT WRITTEN PERMISSION						

DIMENSIONAL CHART FOR MULTIBAY CONFIGURATION:

PART NUMBER (TUBE PKG)	PART NUMBER (TRAY PKG)	BAY A			BAY B			BAY C			BAY D			DIM 'A'	DIM 'B'	DIM 'C'	DIM 'D'	DIM 'E'	DIM 'F'
		CKT	TYPE	POL	CKT	TYPE	POL	CKT	TYPE	POL	CKT	TYPE	POL						
34707-9000	34707-4000	20	0.64mm	A	20	0.64mm	B	20	0.64mm	C	20	0.64mm	D	132.74	130.27	27.94	27.94	27.94	27.94
TBD	34707-4010	12	0.64mm	A	20	0.64mm	A	8	0.64mm	A	16	0.64mm	A	102.26	99.79	17.78	27.94	12.70	22.86
TBD	34707-4020	20	0.64mm	D	20	0.64mm	C	20	0.64mm	B	20	0.64mm	A	132.74	130.27	27.94	27.94	27.94	27.94

4 BAY STAC64 VERTICAL HEADER ASSEMBLY  
(P/N: 34707-4000 SHOWN)



NOTES: VALID UNLESS OTHERWISE SPECIFIED

1. GENERAL:

a. CONNECTOR HEADER MUST BE VALIDATED TO THE FOLLOWING FUNCTIONAL REQUIREMENTS:

PRODUCT SPECIFICATION:  
8-20 CKT 0.64mm PRODUCT SPEC: PS-34729-020  
10 CKT HYBRID PRODUCT SPEC: PS-31372-100

b. APPLICATION REQUIREMENTS (REFERENCE ONLY):

APPLICATION SPECIFICATION: AS-34729-020

c. PACKAGING SPECIFICATION PER MOLEX DRAWING PK-31300-892 (TRAY)  
d. PACKAGING SPECIFICATION PER MOLEX DRAWING PK-31301-063 (TUBE)

2. DESIGN: MATERIALS:

a. SHROUD (PLASTIC HOUSING):  
RESIN - SPS 30%GF

b. 0.64mm PINS:  
BASE MATERIAL: C26000  
PLATING TYPE: AS NOTED

150mm BLADES:  
BASE MATERIAL: C19400  
PLATING TYPE: AS NOTED

2.80mm BLADES:  
BASE MATERIAL: C19400  
PLATING TYPE: AS NOTED

3. PLATING REQUIREMENTS:

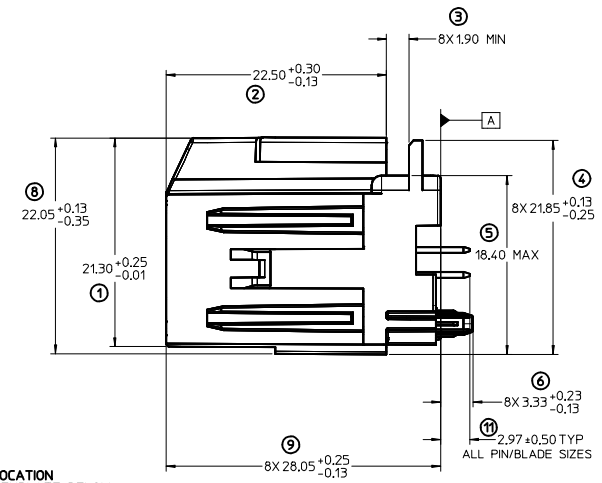
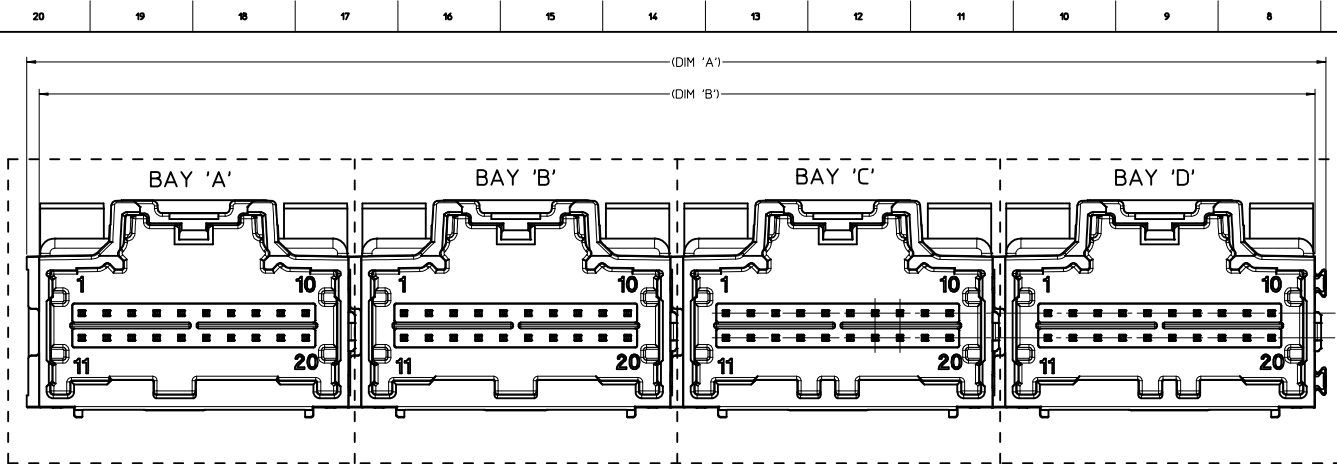
a. UNDERPLATING - OVERALL NICKEL

b. OVERPLATING - OVERALL TIN

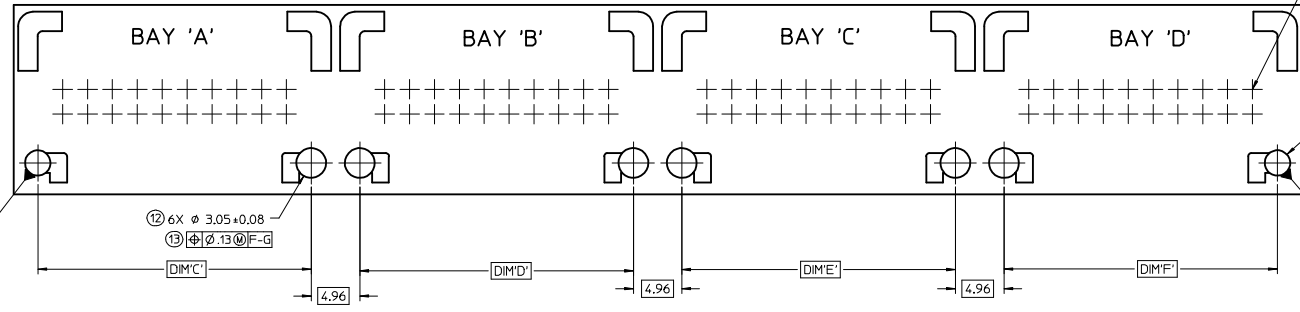
4. FOR DESCRIPTION OF INDIVIDUAL BAYS, REFER TO THE FOLLOWING

SINGLE BAY DRAWINGS:  
8-20 CKT 0.64: SD-34690-100  
10 CKT HYBRID: SD-34695-100

RELEASED DEC NO: UAU2015-0327 DRAWN: FISCHER01 2014/08/27 CHYK: APPROVAL: MAN 2014/09/02 Do	QUALITY SYMBOLS ▽=0 ▽=0	GENERAL TOLERANCES (UNLESS SPECIFIED): mm INCH 4 PLACES ±--- ±--- 3 PLACES ±--- ±--- 2 PLACES ±0.13 ±--- 1 PLACE ±0.25 ±--- ANGULAR ±3°	DIMENSION STYLE MM ONLY DRAWN BY: VDANIELE DATE: 9/05/2008 CHECKED BY: EDILLON DATE: 9/05/2008 APPROVED BY: SMARCEAU DATE: 9/5/2008	SCALE: 4:1 DESIGN UNITS: METRIC THIRD ANGLE PROJECTION	TITLE: 4-BAY STAC64 VERTICAL HEADER ASSEMBLY SALES DRAWING
	DRAFT WHERE APPLICABLE MUST REMAIN WITHIN DIMENSIONS		MATERIAL NO: SEE CHART	MOLEX INCORPORATED	SHEET NO: 1 OF 3
	SIZE: D		THIS DRAWING CONTAINS INFORMATION THAT IS PROPRIETARY TO MOLEX INCORPORATED AND SHOULD NOT BE USED WITHOUT WRITTEN PERMISSION		
	DOCUMENT NO: SD-34707-400		MOLEX INCORPORATED		



RECOMMENDED PCB LAYOUT  
 INSERT NECESSARY BAY'S USING THE CHART ON SHEET 1



FOR HOLE LOCATION  
 REFER TO TEMPLATE BELOW

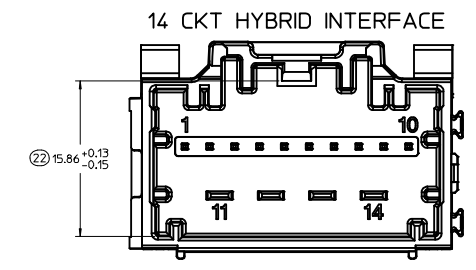
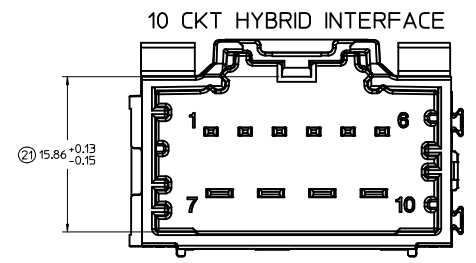
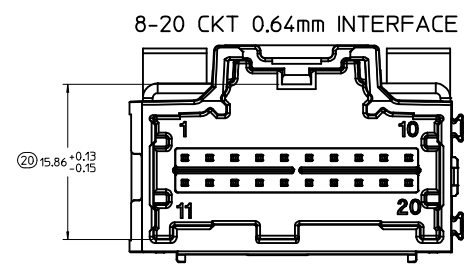
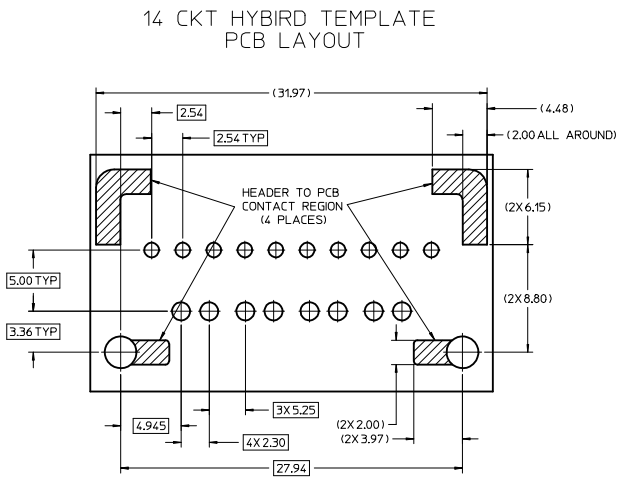
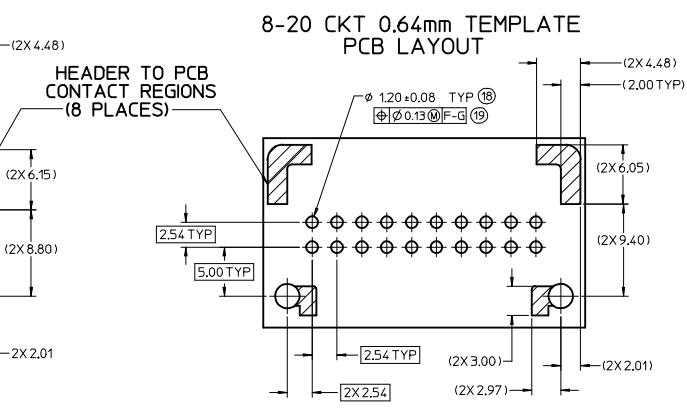
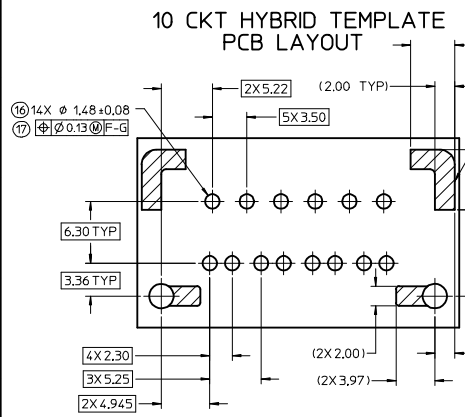
2X  $\phi$  E +0.08 (14)  
 $\phi$  0.13 (15)

POST HOLE TABLE

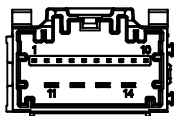
FOR DIM E:	
PRESS FIT	2.70
DROP IN	3.05

<b>RELEASED</b> DEC NO. UAU2015-0327 DRAWN: FISCHER01 2014/08/27 CHYD: APPR: BRAUMAN 2014/09/02 REV: D0	QUALITY SYMBOLS ▽=0 ▽=0	GENERAL TOLERANCES (UNLESS SPECIFIED) <table border="1"> <thead> <tr> <th></th> <th>mm</th> <th>INCH</th> </tr> </thead> <tbody> <tr> <td>4 PLACES</td> <td>±---</td> <td>±---</td> </tr> <tr> <td>3 PLACES</td> <td>±---</td> <td>±---</td> </tr> <tr> <td>2 PLACES</td> <td>±0.13</td> <td>±---</td> </tr> <tr> <td>1 PLACE</td> <td>±0.25</td> <td>±---</td> </tr> </tbody> </table> ANGULAR ± 3°		mm	INCH	4 PLACES	±---	±---	3 PLACES	±---	±---	2 PLACES	±0.13	±---	1 PLACE	±0.25	±---	DIMENSION STYLE <b>MM ONLY</b>	SCALE <b>4:1</b>	DESIGN UNITS <b>METRIC</b>	THIRD ANGLE PROJECTION 
		mm	INCH																		
	4 PLACES	±---	±---																		
	3 PLACES	±---	±---																		
2 PLACES	±0.13	±---																			
1 PLACE	±0.25	±---																			
DRAWN BY MDANIELE 9/05/2008 CHECKED BY CDILLON 9/05/2008 APPROVED BY SMARCEAU 9/5/2008	DATE DATE DATE	TITLE <b>4-BAY STAC64 VERTICAL          HEADER ASSEMBLY          SALES DRAWING</b>	MATERIAL NO. <b>SEE CHART</b>	DOCUMENT NO. <b>SD-34707-400</b>	SHEET NO. <b>2 OF 3</b>																
MOLEX INCORPORATED																					
THIS DRAWING CONTAINS INFORMATION THAT IS PROPRIETARY TO MOLEX INCORPORATED AND SHOULD NOT BE USED WITHOUT WRITTEN PERMISSION																					

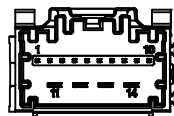




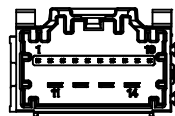
<b>ENTER DESCRIPTION</b> IEC NO. UAU2015-0327 DRAWN BY FISCHER01 2014/08/27 CHKD: APPR:RBALMAN 2014/09/02 REV: D0	QUALITY SYMBOLS ▽=0 ▽=0 ▽=0	GENERAL TOLERANCES (UNLESS SPECIFIED) mm INCH 4 PLACES ± --- ± --- 3 PLACES ± 0.13 ± --- 2 PLACES ± 0.25 ± --- 1 PLACE ± --- ± --- 0 PLACE ± --- ± --- ANGULAR ± 3 ° DRAFT WHERE APPLICABLE MUST REMAIN WITHIN DIMENSIONS	DIMENSION STYLE MM ONLY DRAWN BY DATE VDANIELE 9/05/2008 CHECKED BY DATE CDILLON 9/05/2008 APPROVED BY DATE SMARCEAU 9/5/2008	SCALE 4:1 DESIGN UNITS METRIC THIRD ANGLE PROJECTION	TITLE 4-BAY STAC64 VERTICAL HEADER ASSEMBLY SALES DRAWING <b>molex</b> MATERIAL NO. 999999999 DOCUMENT NO. SD-34707-400	SHEET NO. 3 OF 3
	THIS DRAWING CONTAINS INFORMATION THAT IS PROPRIETARY TO MOLEX INCORPORATED AND SHOULD NOT BE USED WITHOUT WRITTEN PERMISSION					
	DRAFT WHERE APPLICABLE MUST REMAIN WITHIN DIMENSIONS					
	SIZE D					



POLARIZATION OPTION "A"  
P/N 34772-0140



POLARIZATION OPTION "B"  
P/N 34772-0141



POLARIZATION OPTION "C"  
P/N 34772-0142

MATERIAL NUMBER		CKT SIZE	DESCRIPTION	POL	COLOR
TRAY PACKAGING PK-31300-892	TUBE PACKAGING PK-31301-063				
34772-0140	34772-9140	14	STAC64 VERTICAL HEADER ASSEMBLY	A	BLACK
34772-0141	34772-9141	14	STAC64 VERTICAL HEADER ASSEMBLY	B	GREY
34772-0142	34772-9142	14	STAC64 VERTICAL HEADER ASSEMBLY	C	BROWN

NOTES: VALID UNLESS OTHERWISE SPECIFIED  
1. GENERAL:

a. CONNECTOR HEADER MUST BE VALIDATED TO THE FOLLOWING FUNCTIONAL REQUIREMENTS:

PIN RETENTION - USCAR-2 REV 5  
SOLDERABILITY - SMES-152

b. APPLICATION REQUIREMENTS (REFERENCE ONLY) FOR:

SEE APPLICATION SPECIFICATION - TBD  
SEE PRODUCT SPECIFICATION - TBD  
MATES WITH: 34776-014\*/34916-014\*/34927-014\*/34969-014\*

c. PACKAGING SPECIFICATION SEE CHART.

2. DESIGN MATERIALS:

a. SHROUD (PLASTIC HOUSING):  
RESIN - SPS 30%GF

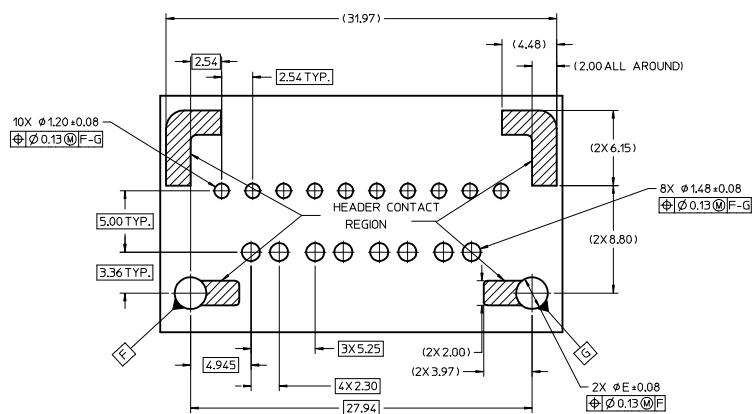
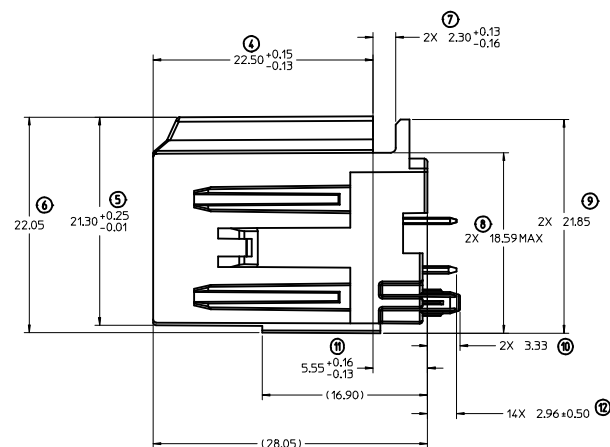
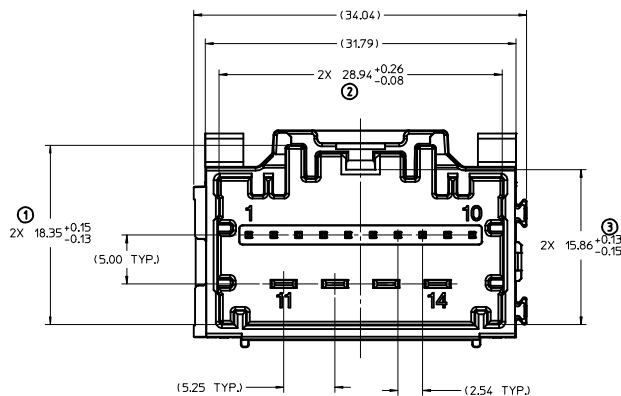
b. 0,64mm BLADES:  
BASE MATERIAL: C26000  
PLATING TYPE: AS NOTED

2,80mm BLADES:  
BASE MATERIAL: C19400  
PLATING TYPE: AS NOTED

3. PLATING REQUIREMENTS:

a. UNDERPLATING - OVERALL NICKEL  
b. OVERPLATING - OVERALL TIN

ENTER DESCRIPTION IEC NO: UAU2014-0236 DRAWN: SONG05 2012/11/21 CHECKED BY: CHYKXBTANG 2013/08/13 APPROVED BY: APPR:RBALMAN 2013/08/13 REV DESCRIPTION	QUALITY SYMBOLS	GENERAL TOLERANCES (UNLESS SPECIFIED)	DIMENSION STYLE	SCALE	DESIGN UNITS	THIRD ANGLE PROJECTION
	∇=0 ∇=0 ∇=0	mm INCH 4 PLACES +--- +--- 3 PLACES +--- +--- 2 PLACES ±0.13 ±--- 1 PLACE ±0.25 ±--- 0 PLACE ± ±	mm INCH ANGULAR ± 3 ° DRAFT WHERE APPLICABLE MUST REMAIN WITHIN DIMENSIONS	MM ONLY DRAWN BY DATE LSONG05 2011/01/13 CHECKED BY DATE VDANIELE 2011/01/13 APPROVED BY DATE SMARCEAU 2011/01/28	2:1	METRIC
THIS DRAWING CONTAINS INFORMATION THAT IS PROPRIETARY TO MOLEX INCORPORATED AND SHOULD NOT BE USED WITHOUT WRITTEN PERMISSION						SHEET NO. 1 OF 2



RECOMMENDED PCB LAYOUT

POST HOLE TABLE

	DIM E
PRESS FIT	Ø2.60
DROP IN	Ø3.05

<b>ENTER DESCRIPTION</b> IEC NO: UAU2014-0236 DRAWN: SONG05 CHKD: BTANG APPR: RBAUMAN	<b>QUALITY SYMBOLS</b> ▽=0 ▽=0 ▽=0	<b>GENERAL TOLERANCES (UNLESS SPECIFIED)</b>		<b>DIMENSION STYLE</b> MM ONLY	<b>SCALE</b> 4:1	<b>DESIGN UNITS</b> METRIC	THIRD ANGLE PROJECTION
		4 PLACES ± --- ± --- 3 PLACES ± --- ± --- 2 PLACES ±0.13 ± --- 1 PLACE ±0.25 ± --- 0 PLACE ± ±	mm INCH	DRAWN BY: LSONG05 DATE: 2011/01/13 CHECKED BY: VYDANIELE DATE: 2011/01/13 APPROVED BY: SMARCEAU DATE: 2011/01/28	<b>TITLE</b> STAC64 SINGLE BAY VERTICAL ASSEMBLY 14 CKT HYBRID	<b>MATERIAL NO.</b> SEE SHEET 1	<b>DOCUMENT NO.</b> SD-34772-010

THIS DRAWING CONTAINS INFORMATION THAT IS PROPRIETARY TO MOLEX INCORPORATED AND SHOULD NOT BE USED WITHOUT WRITTEN PERMISSION