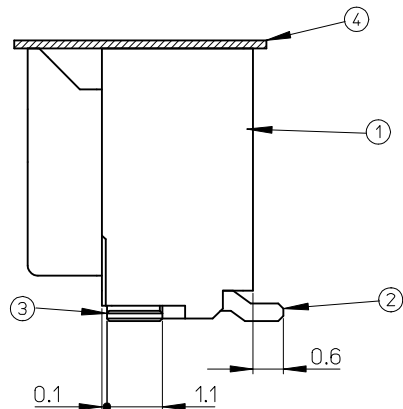
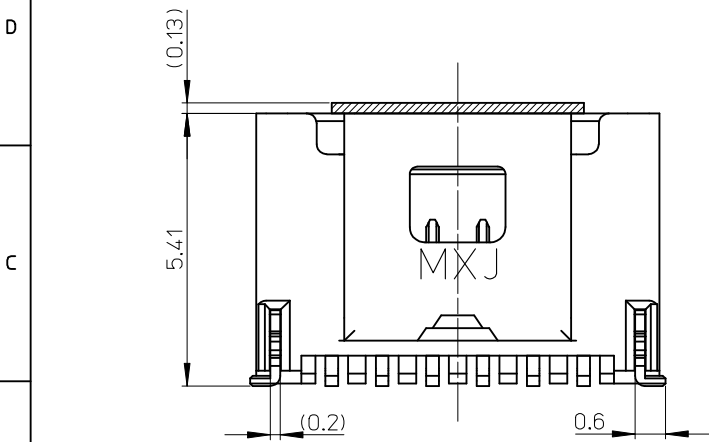


参考パターンレイアウト  
RECOMMENDED PATTERN DIM. (REF)  
SCALE:5:1

番号 NO.	部品 PART	材質 MATERIAL
①	ウエハー WAFER	耐熱ナイロン樹脂 UL94V-0 色:表参照 HEAT RESISTANCE NYLON UL94V-0, COLOR:SEE TABLE
②	ソルダーピン SOLDER PIN	りん青銅 PHOSPHOR BRONZE 錫メッキ: 1.0 μm MIN. TIN ニッケルメッキ(下地): 1.0 μm MIN. NICKEL(UNDER PLATING)
③	ネイル NAIL	りん青銅 PHOSPHOR BRONZE 錫メッキ: 1.0 μm MIN. TIN ニッケルメッキ(下地): 1.0 μm MIN. NICKEL(UNDER PLATING)
④	カバーテープ COVER TAPE	ポリイミドテープ POLYIMIDE TAPE



※対応可能な極数は、別途お問い合わせ下さい。

14.0	17.0	501331-1507	15	501331-**07
13.0	16.0	501331-1407	14	
12.0	15.0	501331-1307	13	
11.0	14.0	501331-1207	12	
10.0	13.0	501331-1107	11	
9.0	12.0	501331-1007	10	
8.0	11.0	501331-0907	9	
7.0	10.0	501331-0807	8	
6.0	9.0	501331-0707	7	
5.0	8.0	501331-0607	6	
B	A	MATERIAL NO.	CKT.	MODEL NO.

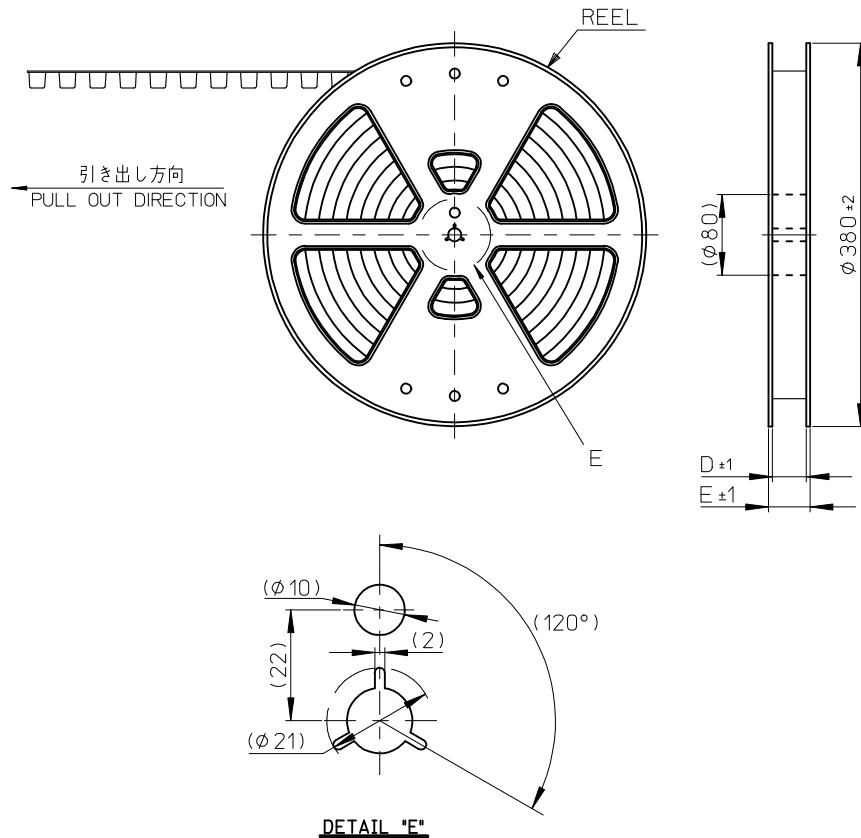
- NOTES.
1. 嵌合相手: 501330-\*\*\*\*  
MATE WITH: 501330-\*\*\*\*
  2. ソルダーピン及びネイル平坦度は、0.1MAX.  
SOLDER PIN AND NAIL COPLANARITY TO BE 0.1MAX.
  3. 極数=偶数に適用  
APPLY FOR CKT SIZE=EVEN
  4. 2~5極は、SD-501331-001を参照下さい。  
REFER TO SD-501331-001 ABOUT 2-5CKT.
  5. ELV及びRoHS適合品。  
ELV AND RoHS COMPLIANT.

REVISED EC NO: J2014-1509 DRWN:TYAJIMA01 2014/04/04 CHKD:KASAKAWA 2014/04/07 APPR:NUKITA 2014/04/07	DESCRIPTION REV	GENERAL TOLERANCES (UNLESS SPECIFIED)		DIMENSION STYLE MM ONLY		SCALE 10:1	DESIGN UNITS METRIC	THIRD ANGLE PROJECTION		
		10 UNDER	±0.2	DRAWN BY NYOSHIDA	DATE 2004/07/30	TITLE 1.0 WIRE TO BOARD CONN. WAFER ASS'Y (1-ROW S/T) 6-15CKT				
		10 OVER 30 UNDER	±0.25	CHECKED BY MYAGI	DATE 2004/07/30					
		30 OVER	±0.3	APPROVED BY MIYAZAWA	DATE 2004/07/30					
ANGULAR ±3 °		DRAFT WHERE APPLICABLE MUST REMAIN WITHIN DIMENSIONS		MATERIAL NO. SEE TABLE		DOCUMENT NO. SD-501331-002		SHEET NO. 1 OF 2		
SIZE A3 THIS DRAWING CONTAINS INFORMATION THAT IS PROPRIETARY TO MOLEX INCORPORATED AND SHOULD NOT BE USED WITHOUT WRITTEN PERMISSION										

紫 PA46 VIOLET	橙 PA46 ORANGE	茶 PA46 BROWN	緑 PA46 GREEN	色 COLOR
501331-1597	501331-1587	501331-1577	501331-1567	15
501331-1497	501331-1487	501331-1477	501331-1467	14
501331-1397	501331-1387	501331-1377	501331-1367	13
501331-1297	501331-1287	501331-1277	501331-1267	12
501331-1197	501331-1187	501331-1177	501331-1167	11
501331-1097	501331-1087	501331-1077	501331-1067	10
501331-0997	501331-0987	501331-0977	501331-0967	9
501331-0897	501331-0887	501331-0877	501331-0867	8
501331-0797	501331-0787	501331-0777	501331-0767	7
501331-0697	501331-0687	501331-0677	501331-0667	6
EMBOSSSED PACKAGE オーダー番号 ORDER NO.	EMBOSSSED PACKAGE オーダー番号 ORDER NO.	EMBOSSSED PACKAGE オーダー番号 ORDER NO.	EMBOSSSED PACKAGE オーダー番号 ORDER NO.	極数 CIRCUITS

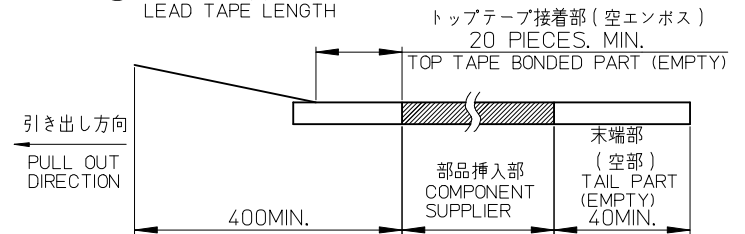
青 PA46 BLUE	黄 PA46 YELLOW	赤 PA46 RED	黒 PA46 BLACK	自然色 PA6T NATURAL	色 COLOR
501331-1547	501331-1537	501331-1527		501331-1507	15
501331-1447	501331-1437	501331-1427		501331-1407	14
501331-1347	501331-1337	501331-1327		501331-1307	13
501331-1247	501331-1237	501331-1227		501331-1207	12
501331-1147	501331-1137	501331-1127		501331-1107	11
501331-1047	501331-1037	501331-1027		501331-1007	10
501331-0947	501331-0937	501331-0927	501331-0917	501331-0907	9
501331-0847	501331-0837	501331-0827	501331-0817	501331-0807	8
501331-0747	501331-0737	501331-0727		501331-0707	7
501331-0647	501331-0637	501331-0627	501331-0617	501331-0607	6
EMBOSSSED PACKAGE オーダー番号 ORDER NO.	EMBOSSSED PACKAGE オーダー番号 ORDER NO.	EMBOSSSED PACKAGE オーダー番号 ORDER NO.	EMBOSSSED PACKAGE オーダー番号 ORDER NO.	EMBOSSSED PACKAGE オーダー番号 ORDER NO.	極数 CIRCUITS

REVISED EC NO: J2014-1509 DRWN: YAJI MA01 CHKD: KASAKAWA APPR: NUKITA	2014/04/04 2014/04/07 2014/04/07	DESCRIPTION REV	GENERAL TOLERANCES (UNLESS SPECIFIED)		DIMENSION STYLE MM ONLY		SCALE ---	DESIGN UNITS METRIC	THIRD ANGLE PROJECTION	
			10 UNDER	±0.2	DRAWN BY NYOSHIDA	DATE 2004/07/30	TITLE 1.0 WIRE TO BOARD CONN. WAFER ASS'Y (1-ROW S/T) 6-15CKT <b>molex</b> DOCUMENT NO. SD-501331-002 SHEET NO. 2 OF 2			
			10 OVER 30 UNDER	±0.25	CHECKED BY MYAGI	DATE 2004/07/30				
			30 OVER	±0.3	APPROVED BY MIYAZAWA	DATE 2004/07/30				
ANGULAR ±3 °		DRAFT WHERE APPLICABLE MUST REMAIN WITHIN DIMENSIONS		MATERIAL NO. SEE TABLE						



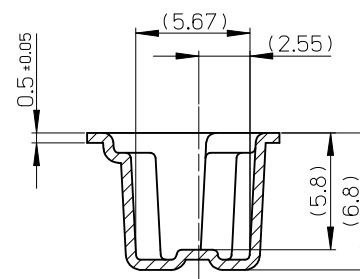
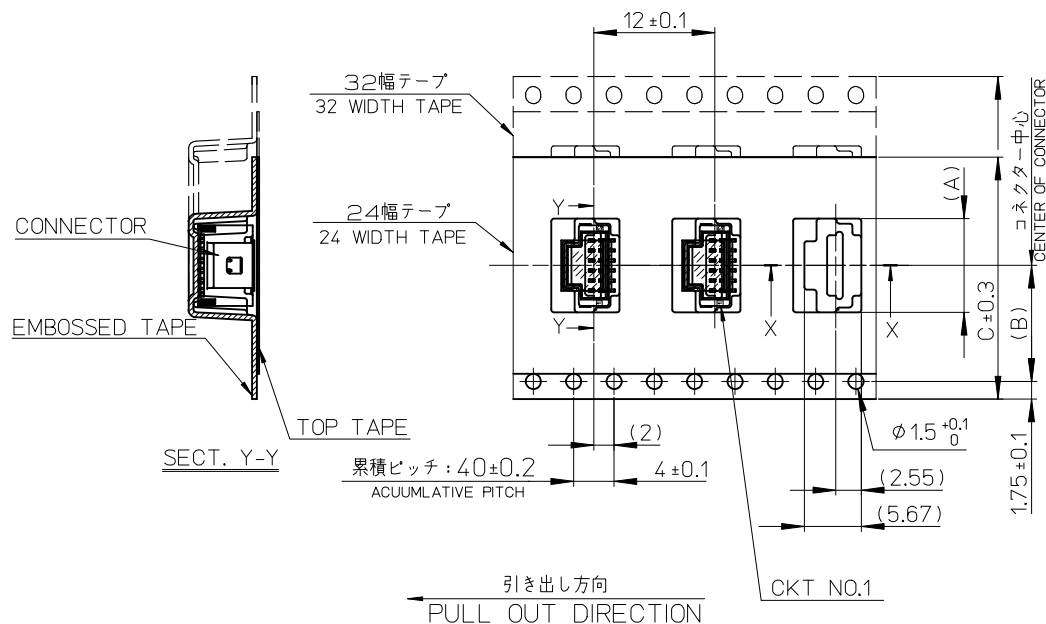
NOTES.

- 製品詳細寸法については製品単体図面を参照ください。  
ABOUT DETAILED DIMENSION, SEE PRODUCT DRAWING.
- 梱包数量：1100個/リール  
NUMBER OF CONNECTORS：1100PIECES/REEL
- リードテープ長さ  
LEAD TAPE LENGTH



- 材料  
MATERIAL  
キャリアテープ：ポリプロピレン  
CARRIER TAPE：POLYPROPYLENE  
トップテープ：PET、PE、REF  
TOP TAPE  
リール：ポリスチレン (リサイクル材を含む)  
REEL：POLYSTYLENE (RECYCLE MATERIAL CONTAINED)
- ELV 及び RoHS適合品  
ELV AND RoHS COMPLIANT.
- ハイバリア梱包 (シリカゲル入り) 対応品である。(501331-\*\*07除く)  
THIS PRODUCT IS HIGH BARRIER PACKAGE.(WITH SILICAGEL)  
(BESIDES 501331-\*\*07)
- 開梱後の保管条件に注意のこと。(ハイバリア品対象：PS-501331-001参照)  
REFER TO PS-501331-001(HIGH BARRIER PRODUCT)  
FOR CONDITIONS AFTER OPEN.

REVISED EC NO: J2014-1509 DRWN:YAJI MA01 2014/04/04 CHKD:KASAKAWA 2014/04/07 APPR:NIKI ITA 2014/04/07	GENERAL TOLERANCES (UNLESS SPECIFIED)		DIMENSION STYLE MM ONLY		SCALE ---	DESIGN UNITS METRIC	THIRD ANGLE PROJECTION
	10 UNDER	±0.2	DRAWN BY NYOSHIDA	DATE 2005/01/18	TITLE 1.0 WIRE TO BOARD CONN. WAFER ASS'Y (1-ROW S/T) EMBSTP PKG		
	10 OVER 30 UNDER	±0.25	CHECKED BY MYAGI	DATE 2005/01/18			
	30 OVER	±0.3	APPROVED BY ANODA	DATE 2005/01/18			
ANGULAR ±1 °	DRAFT WHERE APPLICABLE MUST REMAIN WITHIN DIMENSIONS		MATERIAL NO. SEE SHEET 3	DOCUMENT NO. SD-501331-004	SHEET NO. 1 OF 3		
THIS DRAWING CONTAINS INFORMATION THAT IS PROPRIETARY TO MOLEX INCORPORATED AND SHOULD NOT BE USED WITHOUT WRITTEN PERMISSION							




SECT. X-X  
(SCALE 4:1)

37.4	33.4	32	14.2	18.3	5013311507
				17.3	5013311407
				16.3	5013311307
29.4	25.4	24	11.5	15.3	5013311207
				14.3	5013311107
				13.3	5013311007
				12.3	5013310907
				11.3	5013310807
				10.3	5013310707
				9.3	5013310607
E	D	C	(B)	(A)	製品番号 MATERIAL NO.

REVISED EC NO: J2014-1509 DRWN: YAJI MA01 2014/04/04 CHKD: KASAKAWA 2014/04/07 APPR: NUKITA 2014/04/07	GENERAL TOLERANCES (UNLESS SPECIFIED)		DIMENSION STYLE MM ONLY		SCALE ---	DESIGN UNITS METRIC	THIRD ANGLE PROJECTION
	10 UNDER	± 0.2	DRAWN BY NYOSHIDA	DATE 2005/01/18	TITLE 1.0 WIRE TO BOARD CONN. WAFER ASS'Y (1-ROW S/T) EMBSTP PKG		
	10 OVER 30 UNDER	± 0.25	CHECKED BY MYAGI	DATE 2005/01/18	<b>molex</b> DOCUMENT NO. SD-501331-004 SHEET NO. 2 OF 3		
	30 OVER	± 0.3	APPROVED BY ANODA	DATE 2005/01/18			
	ANGULAR	± 1 °	MATERIAL NO. SEE SHEET 3				
DRAFT WHERE APPLICABLE MUST REMAIN WITHIN DIMENSIONS		THIS DRAWING CONTAINS INFORMATION THAT IS PROPRIETARY TO MOLEX INCORPORATED AND SHOULD NOT BE USED WITHOUT WRITTEN PERMISSION					

紫 VIOLET	橙 ORANGE	茶 BROWN	緑 GREEN	色 COLOR
501331-1597	501331-1587	501331-1577	501331-1567	15
501331-1497	501331-1487	501331-1477	501331-1467	14
501331-1397	501331-1387	501331-1377	501331-1367	13
501331-1297	501331-1287	501331-1277	501331-1267	12
501331-1197	501331-1187	501331-1177	501331-1167	11
501331-1097	501331-1087	501331-1077	501331-1067	10
501331-0997	501331-0987	501331-0977	501331-0967	9
501331-0897	501331-0887	501331-0877	501331-0867	8
501331-0797	501331-0787	501331-0777	501331-0767	7
501331-0697	501331-0687	501331-0677	501331-0667	6
EMBOSSSED PACKAGE オーダー番号 ORDER NO.	EMBOSSSED PACKAGE オーダー番号 ORDER NO.	EMBOSSSED PACKAGE オーダー番号 ORDER NO.	EMBOSSSED PACKAGE オーダー番号 ORDER NO.	極数 CIRCUITS

青 BLUE	黄 YELLOW	赤 RED	黒 BLACK	自然色 NATURAL	色 COLOR
501331-1547	501331-1537	501331-1527		501331-1507	15
501331-1447	501331-1437	501331-1427		501331-1407	14
501331-1347	501331-1337	501331-1327		501331-1307	13
501331-1247	501331-1237	501331-1227		501331-1207	12
501331-1147	501331-1137	501331-1127		501331-1107	11
501331-1047	501331-1037	501331-1027		501331-1007	10
501331-0947	501331-0937	501331-0927	501331-0917	501331-0907	9
501331-0847	501331-0837	501331-0827	501331-0817	501331-0807	8
501331-0747	501331-0737	501331-0727		501331-0707	7
501331-0647	501331-0637	501331-0627	501331-0617	501331-0607	6
EMBOSSSED PACKAGE オーダー番号 ORDER NO.	EMBOSSSED PACKAGE オーダー番号 ORDER NO.	EMBOSSSED PACKAGE オーダー番号 ORDER NO.	EMBOSSSED PACKAGE オーダー番号 ORDER NO.	EMBOSSSED PACKAGE オーダー番号 ORDER NO.	極数 CIRCUITS

REVISED EC NO: J2014-1509 DRWN: YAJI MAO1 2014/04/04 CHKD: KASAKAWA 2014/04/07 APPR: NUKITA 2014/04/07	GENERAL TOLERANCES (UNLESS SPECIFIED)		DIMENSION STYLE MM ONLY		SCALE ---	DESIGN UNITS METRIC	THIRD ANGLE PROJECTION
	10 UNDER	±0.2	DRAWN BY NYOSHIDA	DATE 2005/01/18	TITLE 1.0 WIRE TO BOARD CONN. WAFER ASS'Y (1-ROW S/T) EMBSTP PKG		
	10 OVER 30 UNDER	±0.25	CHECKED BY MYAGI	DATE 2005/01/18			
	30 OVER	±0.3	APPROVED BY ANODA	DATE 2005/01/18			
ANGULAR ±1 °		MATERIAL NO.		DOCUMENT NO.		SHEET NO.	
DRAFT WHERE APPLICABLE MUST REMAIN WITHIN DIMENSIONS		SEE TABLE		SD-501331-004		3 OF 3	
		THIS DRAWING CONTAINS INFORMATION THAT IS PROPRIETARY TO MOLEX INCORPORATED AND SHOULD NOT BE USED WITHOUT WRITTEN PERMISSION					