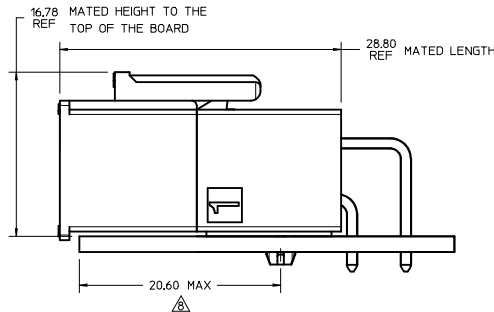
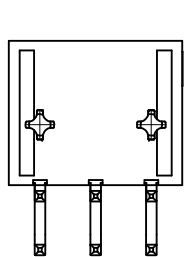
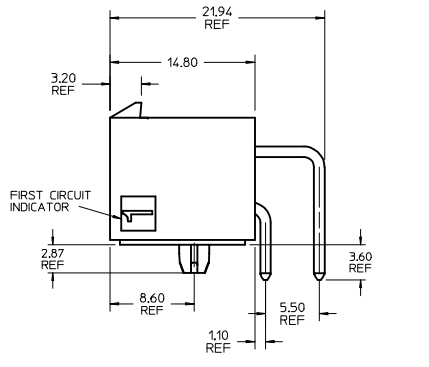
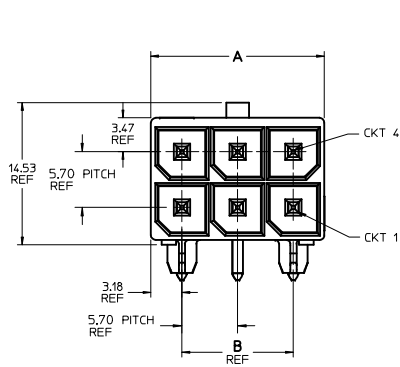


76825-0006 SHOWN

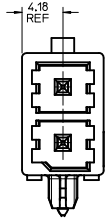


CKT SIZE	PART NO.	PLATING	DIM A	DIM B	DIM C
2	x 76825-0002	TIN	8.35	N/A	9.35
4	x 76825-0004	TIN	12.05	N/A	13.05
6	x 76825-0006	TIN	17.75	11.40	18.75
8	x 76825-0008	TIN	23.45	17.10	24.45
10	x 76825-0010	TIN	29.15	22.80	30.15
12	x 76825-0012	TIN	34.85	28.50	35.45
2	172064-0002	15 GOLD	8.35	N/A	9.35
4	172064-0004	15 GOLD	12.05	N/A	13.05
6	172064-0006	15 GOLD	17.75	11.40	18.75
8	172064-0008	15 GOLD	23.45	17.10	24.45
10	172064-0010	15 GOLD	29.15	22.80	30.15
12	172064-0012	15 GOLD	34.85	28.50	35.45
2	172064-1002	30 GOLD	8.35	N/A	9.35
4	172064-1004	30 GOLD	12.05	N/A	13.05
6	172064-1006	30 GOLD	17.75	11.40	18.75
8	172064-1008	30 GOLD	23.45	17.10	24.45
10	172064-1010	30 GOLD	29.15	22.80	30.15
12	172064-1012	30 GOLD	34.85	28.50	35.45

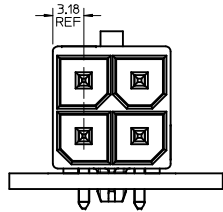
X = NOT RELEASED

- NOTES:
- MATERIAL:
HOUSING LCP, UL94V-0, BLACK.
TERMINAL: HIGH CONDUCTIVITY COPPER.
 - TERMINAL PLATING:
(TIN) 152 MICROMETER MIN (60 MICROINCH MIN) REFLOWED MATTE TIN OVER
1.27 MICROMETER MIN (50 MICROINCH MIN) MIN NICKEL OVERALL.
(15 GOLD) 0.38 MICROMETER MIN (15 MICROINCH MIN) SELECTIVE GOLD ON CONTACT AREA
WITH 2.54 MICROMETER MIN (100 MICROINCHES MIN) SELECTIVE TIN ON SOLDER AREA
BOTH OVER 1.27 MICROMETER MIN (50 MICROINCHES MIN) NICKEL OVERALL.
(30 GOLD) 0.76 MICROMETER MIN (30 MICROINCH MIN) SELECTIVE GOLD ON CONTACT AREA
WITH 2.54 MICROMETER MIN (100 MICROINCHES MIN) SELECTIVE TIN ON SOLDER AREA
BOTH OVER 1.27 MICROMETER MIN (50 MICROINCHES MIN) NICKEL OVERALL.
 - PRODUCT SPECIFICATION PS-76823-100.
 - PACKAGING: TRAY PACKED PER MOLEX SPECIFICATION PK-76825-0000.
 - PART MATES WITH MOLEX PART NUMBER 170001 AND 171692 SERIES.
 - APPLICATION SPECIFICATION: AS-76823-100
 - PARTS CONFORM TO CLASS 'B' REQUIREMENTS OF COSMETIC SPECIFICATION PS-45499-002.
- ⚠️ TO AVOID INTERFERENCE BETWEEN RECEPTACLE AND PCB, HEADER MUST BE PLACED WITHIN 20.6 MAX FROM EDGE OF PCB AS SHOWN FOR 4 THROUGH 12 CIRCUITS. FOR 2 CIRCUIT PARTS THIS DIMENSION IS 15.1 MAX.

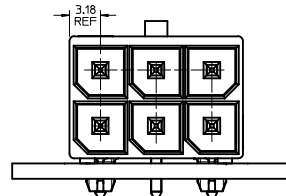
ADD KEYING VIEWS EC NO: UCP2015-3192 DRAWN: DFOX 2014/12/04 CHKD: BELL 2014/12/04 APPROV: SMITH 2015/02/23	QUALITY SYMBOLS	GENERAL TOLERANCES (UNLESS SPECIFIED)	DIMENSION STYLE	SCALE	DESIGN UNITS	THIRD ANGLE PROJECTION
	▽=0	4 PLACES ±0.25	MM ONLY	4:1	METRIC	⊙
	▽=0	3 PLACES ±0.25				
	▽=0	2 PLACES ±0.25				
D6 SIZE D	DESCRIPTION	ANGULAR ±1/2°	DRAWN BY	DATE	TITLE	
		DRAFT WHERE APPLICABLE MUST REMAIN WITHIN DIMENSIONS	MKARADI MAS	2010/11/15	MEGA-FIT R/A HEADER ASSY 2-12 CKT	
			CHECKED BY	DATE		
			APPROVED BY	DATE		
			APATEL	2012/06/13		
			MATERIAL NO.	DOCUMENT NO.	SHEET NO.	
			SEE CHART	SD-76825-0100	1 OF 2	
			THIS DRAWING CONTAINS INFORMATION THAT IS PROPRIETARY TO MOLEX INCORPORATED AND SHOULD NOT BE USED WITHOUT WRITTEN PERMISSION			



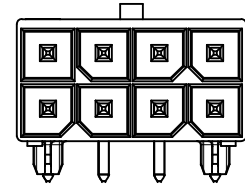
2 CIRCUIT



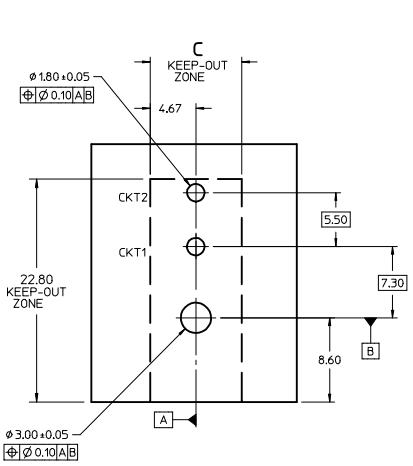
4 CIRCUIT



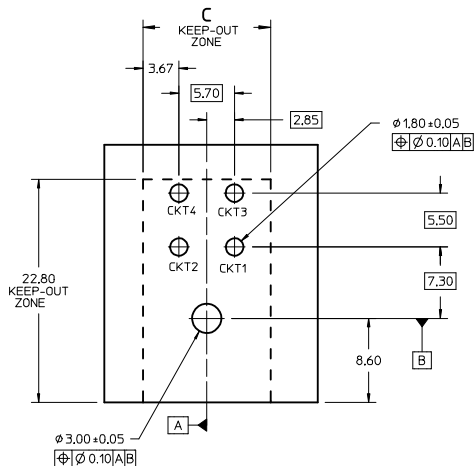
6-12 CIRCUIT



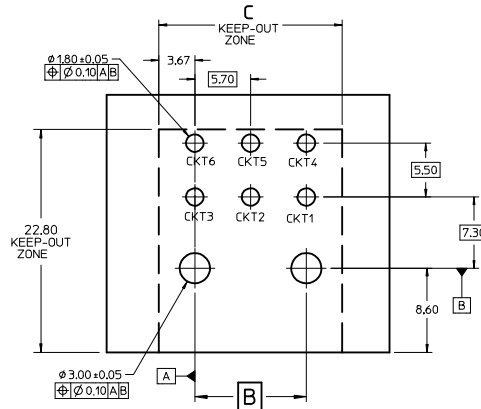
8 CIRCUIT



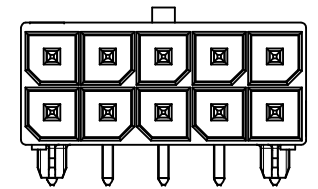
PCB LAYOUT: COMPONENT SIDE
RECOMMENDED PCB THICKNESS: 1.58 MM/.062 IN
TO 2.36 MM/.093 IN



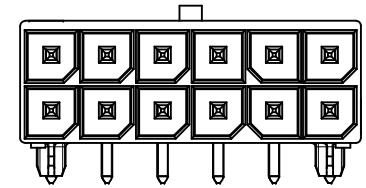
PCB LAYOUT: COMPONENT SIDE
RECOMMENDED PCB THICKNESS: 1.58 MM/.062 IN
TO 2.36 MM/.093 IN



PCB LAYOUT: COMPONENT SIDE
RECOMMENDED PCB THICKNESS: 1.58 MM/.062 IN
TO 2.36 MM/.093 IN



10 CIRCUIT



12 CIRCUIT

<p>SEE SHT 1</p> <p>LEC NO: UCP2015-3192</p> <p>DRAWN: JFOX 2014/12/04</p> <p>CHKD: BEL 2014/12/04</p> <p>APPROV: SMITH 2015/02/23</p> <p>D6</p>	<p>QUALITY SYMBOLS</p> <p>▽=0</p> <p>▽=0</p> <p>▽=0</p>	<p>GENERAL TOLERANCES (UNLESS SPECIFIED)</p> <table border="1"> <tr> <th></th> <th>mm</th> <th>INCH</th> </tr> <tr> <td>4 PLACES</td> <td>±.005</td> <td>±.0004</td> </tr> <tr> <td>3 PLACES</td> <td>±.008</td> <td>±.0003</td> </tr> <tr> <td>2 PLACES</td> <td>±.015</td> <td>±.0006</td> </tr> <tr> <td>1 PLACE</td> <td>±.025</td> <td>±.0010</td> </tr> <tr> <td>0 PLACE</td> <td>±.050</td> <td>±.0020</td> </tr> </table> <p>ANGULAR ±1/2°</p> <p>DRAFT WHERE APPLICABLE MUST REMAIN WITHIN DIMENSIONS</p>		mm	INCH	4 PLACES	±.005	±.0004	3 PLACES	±.008	±.0003	2 PLACES	±.015	±.0006	1 PLACE	±.025	±.0010	0 PLACE	±.050	±.0020	<p>DIMENSION STYLE</p> <p>MM ONLY</p> <p>SCALE 4:1</p> <p>DESIGN UNITS METRIC</p> <p>THIRD ANGLE PROJECTION</p>	<p>TITLE</p> <p>MEGA-FIT R/A HEADER ASSY 2-12 CKT</p> <p>APPROVED BY DATE</p> <p>APATEL 2012/06/13</p>	<p>MATERIAL NO.</p> <p>SEE CHART</p> <p>DOCUMENT NO.</p> <p>SD-76825-0100</p>	<p>SHEET NO.</p> <p>2 OF 2</p>
		mm	INCH																					
	4 PLACES	±.005	±.0004																					
	3 PLACES	±.008	±.0003																					
2 PLACES	±.015	±.0006																						
1 PLACE	±.025	±.0010																						
0 PLACE	±.050	±.0020																						
<p>THIS DRAWING CONTAINS INFORMATION THAT IS PROPRIETARY TO MOLEX INCORPORATED AND SHOULD NOT BE USED WITHOUT WRITTEN PERMISSION</p>																								
<p>SIZE D</p>																								
<p>DATE</p>																								