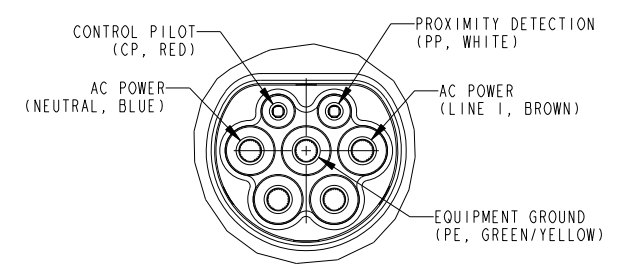


THIS DOCUMENT AND THE INFORMATION CONTAINED HEREIN IS THE SOLE PROPERTY OF ITT VEAM LLC AND IS NOT TO BE COPIED, REPRODUCED, DISCLOSED OR TRANSFERRED BY ELECTRONIC MEDIA WITHOUT THE EXPRESSED PERMISSION OF ITT VEAM LLC. VIOLATIONS SUBJECT TO PENALTIES PROVIDED UNDER U.S. AND INTERNATIONAL LAW.

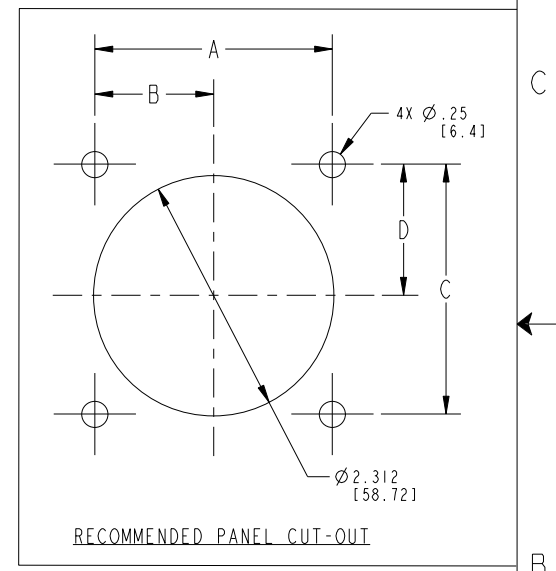
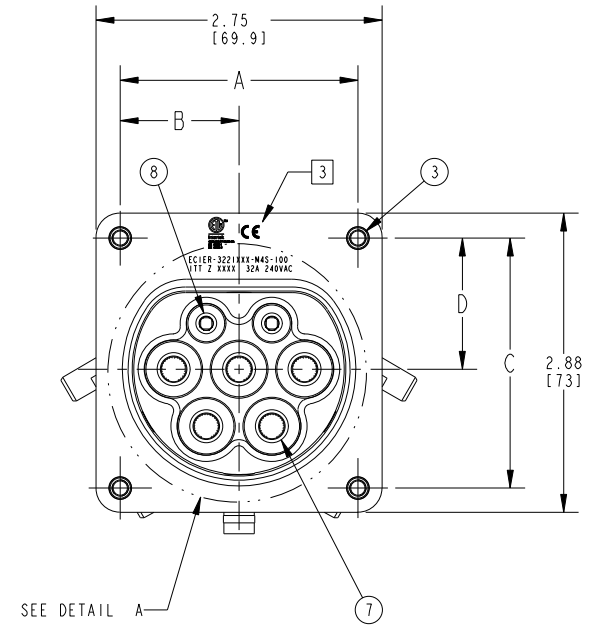
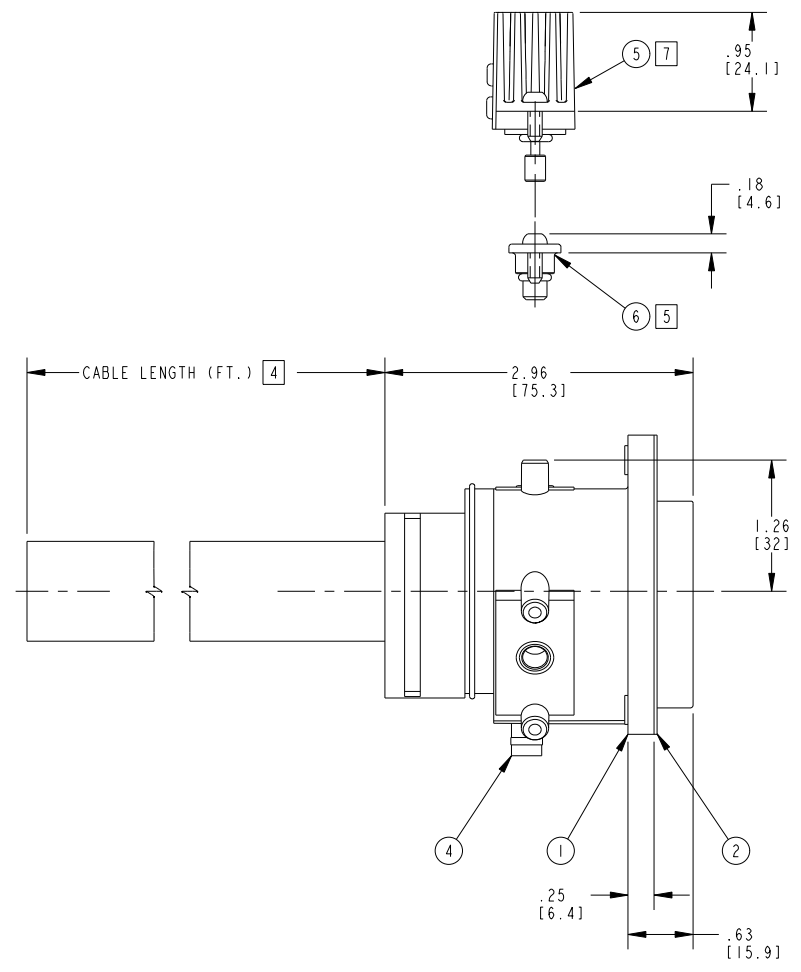
Export Classification Code - **C**
 THIS INFORMATION IS SUBJECT TO THE CONTROLS OF THE EXPORT ADMINISTRATION REGULATIONS (EAR) AND SHALL NOT BE TRANSFERRED BY ANY MEANS TO ANY PERSON OR LOCATION OUTSIDE OF THE U.S. WITHOUT THE WRITTEN PERMISSION FROM ITT AND APPROVAL FROM THE U.S. DEPARTMENT OF COMMERCE.

REV	DESCRIPTION	BY / DATE	APP'D.
A	RELEASED. ECR 11569	JG 072314	LAW

ITT ISSUED
 By mike.gardiner at 1:25 pm, May 13, 2015

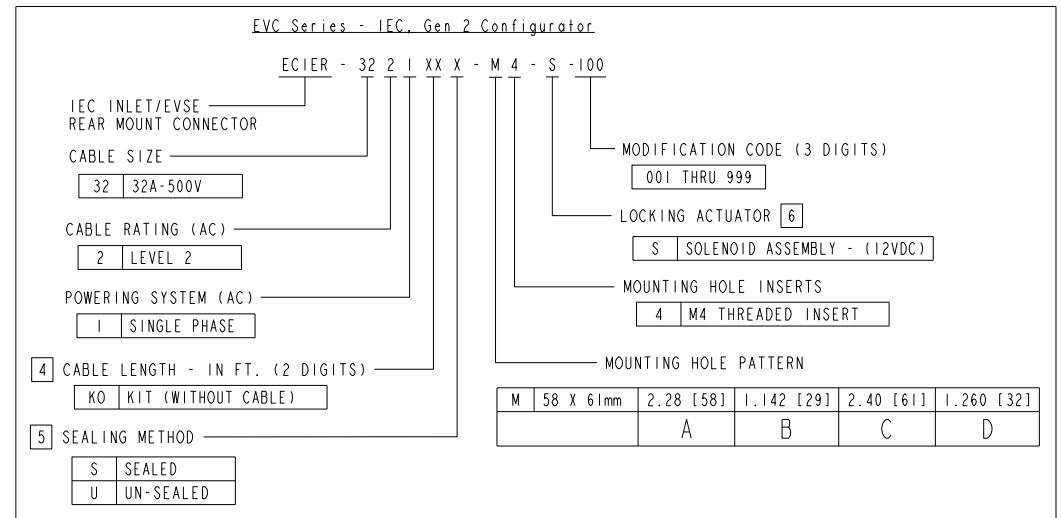


DETAIL A
SCALE 0.750



NOTES: UNLESS OTHERWISE SPECIFIED

- ALL CABLE CONDUCTORS NOT SHOWN FOR CLARITY.
- CONNECTOR MEETS IEC 62196-11-2 SPECIFICATION FOR LEVEL 2 CHARGING CONNECTOR.
- CONNECTOR MARKING TO INCLUDE - ETL-EU MARKING, CE MARKING, CATALOG No., DATE CODE, RATED CABLE AMPERAGE AND OPERATING CONNECTOR VOLTAGE.
- STANDARD CABLE LENGTH TOLERANCE:
 - 1' FT. TO 10' FT. = ±1" IN.
 - 11' FT. TO 20' FT. = ±2" IN.
 - OVER 20' FT. = ±3" IN.
- ONLY USE SEALING CAP(S) IF SEALING METHOD IS REQUIRED. SEALING CAPS TO BE SUPPLIED NOT ASSEMBLED.
- ACTUATOR TO BE SUPPLIED NOT ASSEMBLED.
- SOLENOID PERFORMANCE - (12VDC) 100% CONTINUOUS DUTY, 88.95Ω, (1.6W). CONSULT SALES FOR OTHER PERFORMANCE OPTIONS.



8	SOCKET CONTACT	SIZE - 3MM CRIMP P/N 51511EC-3M-2-T8 QTY - 2 MATERIAL - COPPER ALLOY FINISH - NICKEL PLATED
7	SOCKET CONTACT	SIZE - 6MM CRIMP P/N A80628EC-6M-2-T8 QTY - 5 MATERIAL - COPPER ALLOY FINISH - NICKEL PLATED
6	SEALING CAP	MATERIAL - GLASS FILLED NYLON
5	SOLENOID ACTUATOR ASSEMBLY	MATERIAL - CAST ALUMINUM FINISH - NATURAL ANODIZE
4	DRAIN SPOUT	MATERIAL - BRASS FINISH - NICKEL PLATED
3	M4 THREADED INSERT	MATERIAL - BRASS FINISH - NICKEL PLATED
2	PANEL GASKET	MATERIAL - EPDM
1	INLET SHELL	MATERIAL - GLASS FILLED NYLON
ITEM	PART NAME	DESCRIPTION

ITT VEAM
 100 New Road
 Waterbury, CT 06795

CUSTOMER DRAWING

DRAWN	JG	DATE	072314	REF	PROJECT 5696
CHECKED	LAW	DATE	072414	PART NO	SEE CONFIGURATOR
APPROVED	LAW	DATE	072414	DESCRIPTION	IEC, CHARGING CONNECTOR INLET, EVSE, REAR MOUNT, EVC SERIES W/ (12VDC) SOLENOID ASSEMBLY
UNLESS OTHERWISE SPECIFIED:		SCALE	0.875	CAGE CODE	55561
DIMENSIONS ARE IN: (MM) INCHES		SIZE	C	USE	DS
		SHEET	1 / 1	REV	A
		299787			

DWG FILE NAME: 299787