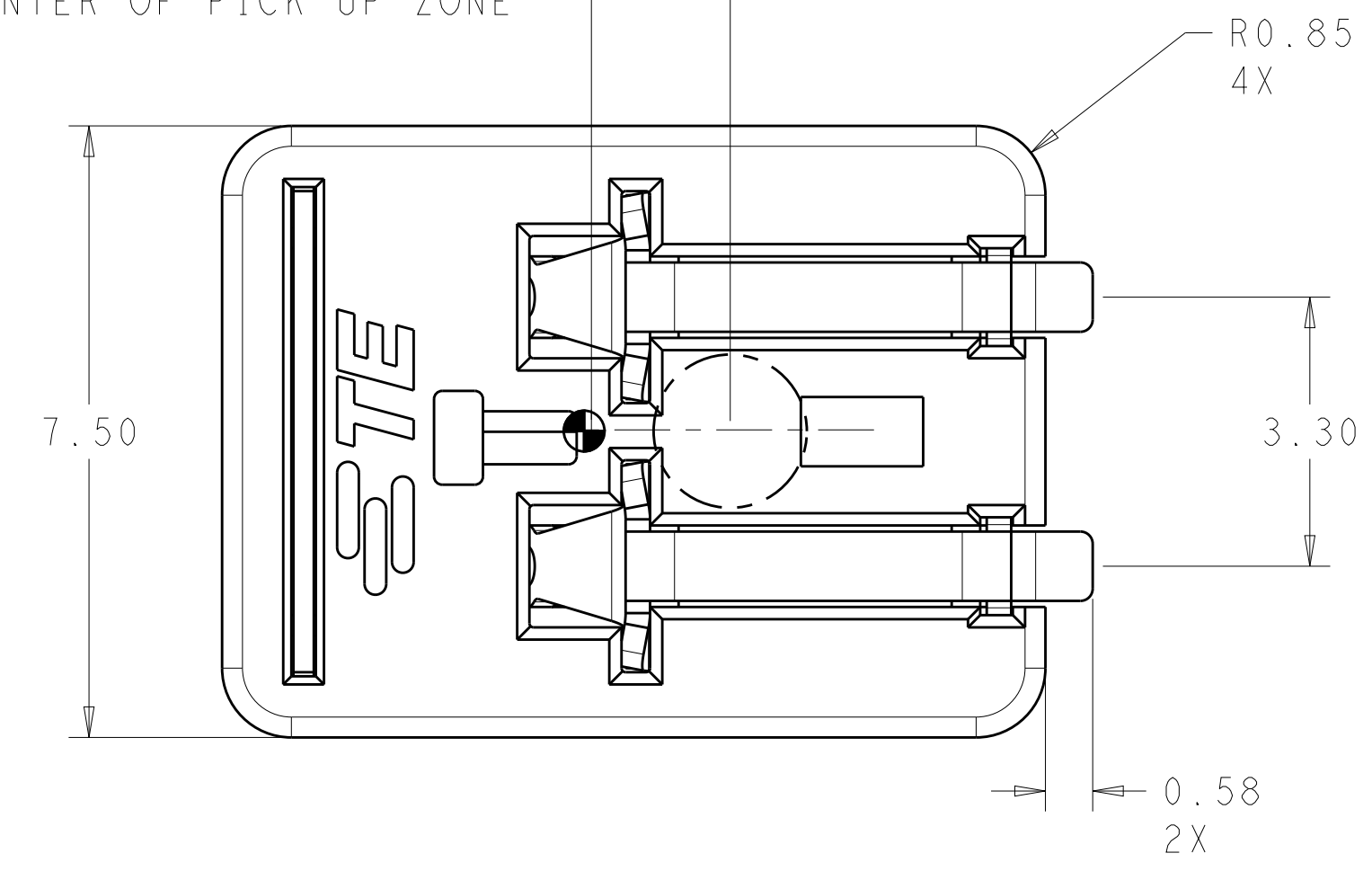


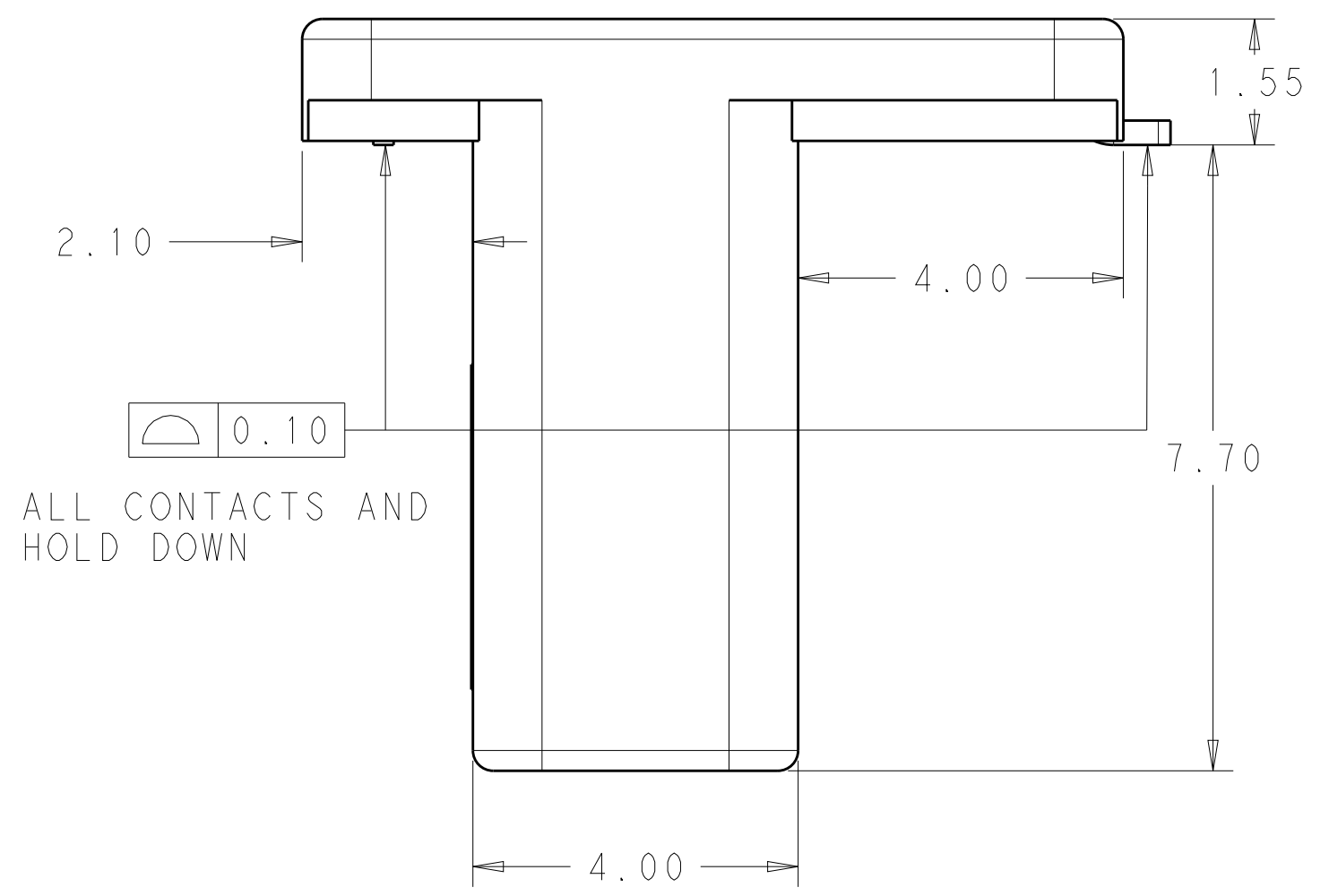
THIS DRAWING IS UNPUBLISHED. RELEASED FOR PUBLICATION 20
 © COPYRIGHT 20 BY - ALL RIGHTS RESERVED.

LOC		DIST		REVISIONS			
P	LTR	DESCRIPTION	DATE	DWN	APVD		
	11	CHANGE RECOMMENDED MATING PCB	02DEC2014	CG	CG		

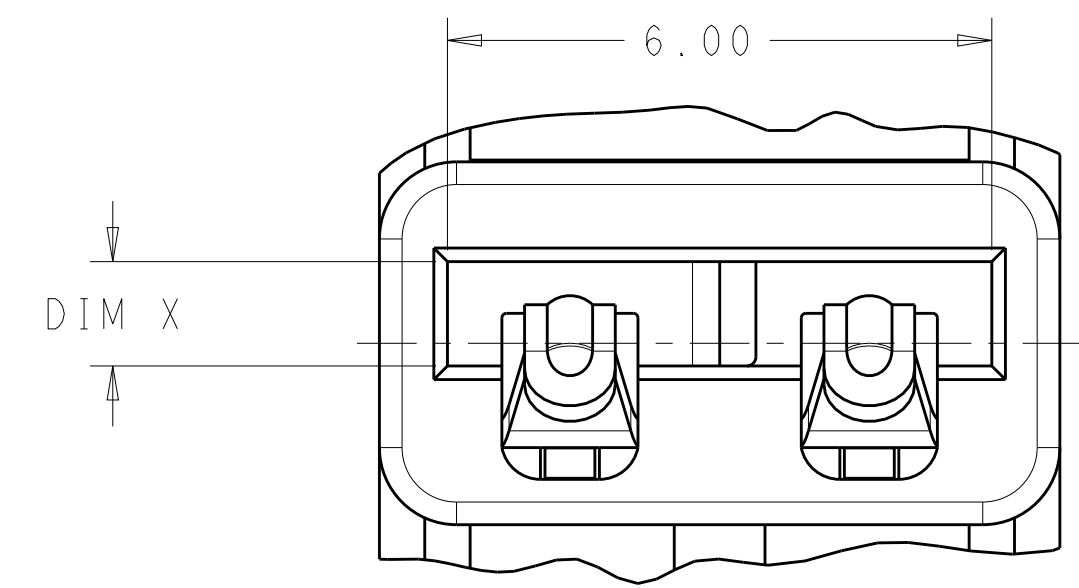
1.70 DISTANCE FROM COG TO CENTER OF PICK UP ZONE



- 1 MATERIALS AND FINISH:
 -HOUSING AND COVER: THERMOPLASTIC, COLOR: NATURAL
 -CONTACTS: COPPER ALLOY, FINISH: Sn OVER Ni
 -HOLD DOWN: COPPER ALLOY, FINISH: Sn OVER Ni
- 2. MUST COMPLY WITH DIRECTIVE 2002/95/EC (ROHS)
- 3. THIS PRODUCT HAS NOT COMPLETED VALIDATION TESTING.
- 4. PACKAGED IN TAPE AND REEL
- 5 PCB EDGE TO BE DETERMINED BY CUSTOMER APPLICATION
- 6 TO BE USED WITH 1.0±10% (OR 0.8±10%) PCB THICKNESS
- 7 TO BE USED WITH 1.6±10% PCB THICKNESS
- 8 DIMENSION SHOWN IS RECOMMENDED SOLDER MASK OPENING



ALL CONTACTS AND HOLD DOWN



VIEW E
SCALE 12:1

2213188-1, -2

1.6	WITH COVER	1.44 - 1.75	1.81	2213188-4
1.0	WITH COVER	0.72 - 1.10	1.15	2213188-3
1.6	W/O COVER	1.44 - 1.75	1.81	2213188-2
1.0	W/O COVER	0.72 - 1.10	1.15	2213188-1
MARKING	COVER	DIM B	DIM X	PART NO.

SEE VIEW E

THIS PRINT IS
PRELIMINARY
 UNQUALIFIED PRODUCT
 CONTACT PRODUCT ENGINEERING
 BEFORE USING THIS PRINT

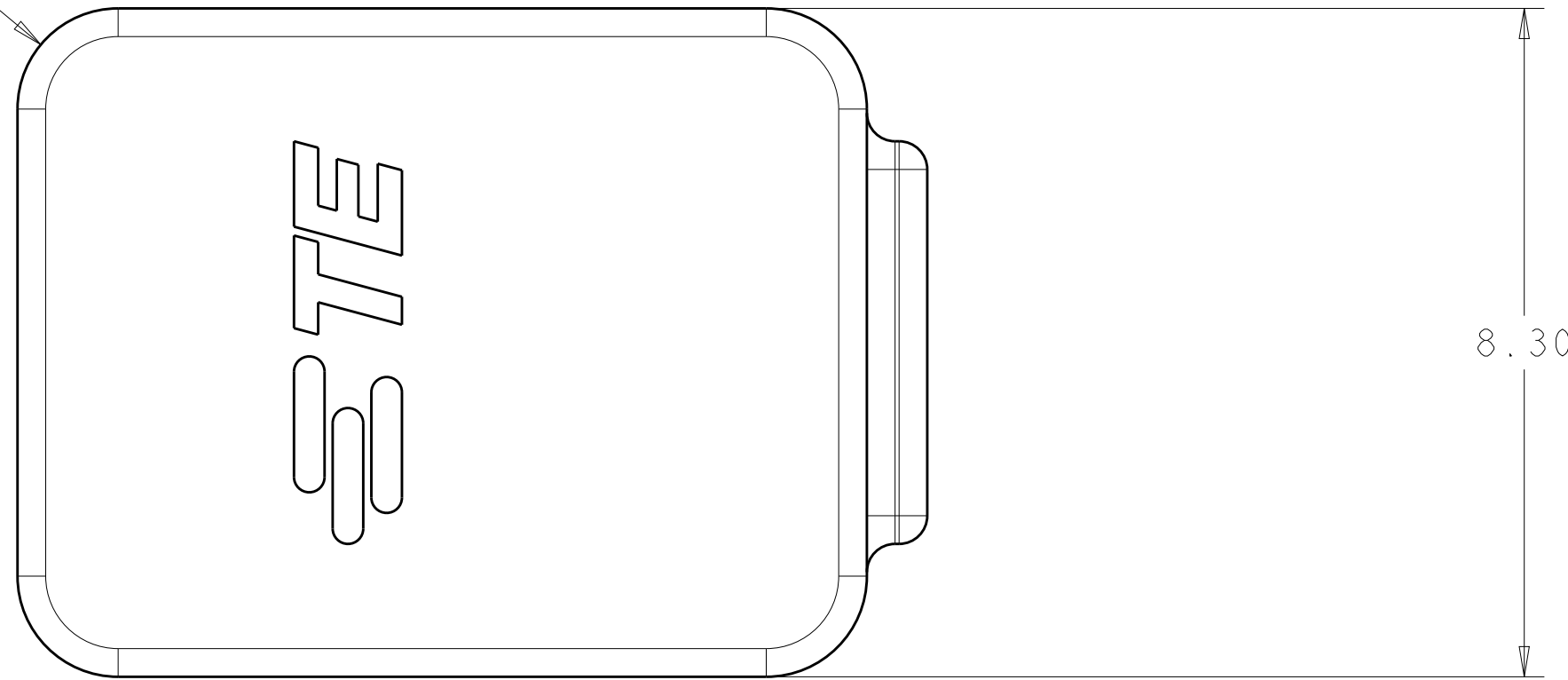
THIS DRAWING IS A CONTROLLED DOCUMENT.

DIMENSIONS: mm	TOLERANCES UNLESS OTHERWISE SPECIFIED:	DWN: C. DAILY 25OCT2012	STE TE Connectivity
		CHK: C. GINGRICH 25OCT2012	
		APVD: -	PRELIMINARY
		NAME: -	
		PRODUCT SPEC: 108-32041	ASSEMBLY: CARD EDGE INVERTED THROUGH BOARD
		APPLICATION SPEC: 114-32054	
MATERIAL: -	ANGLES: ±2°	WEIGHT: -	SIZE: A200779
	FINISH: -		CAGE CODE: C-2213188
		Customer Drawing	DRAWING NO: C-2213188
			RESTRICTED TO: -
			SCALE: 7:1
			SHEET: 1 OF 4
			REV: 11

THIS DRAWING IS UNPUBLISHED. RELEASED FOR PUBLICATION 20
 © COPYRIGHT 20 BY - ALL RIGHTS RESERVED.

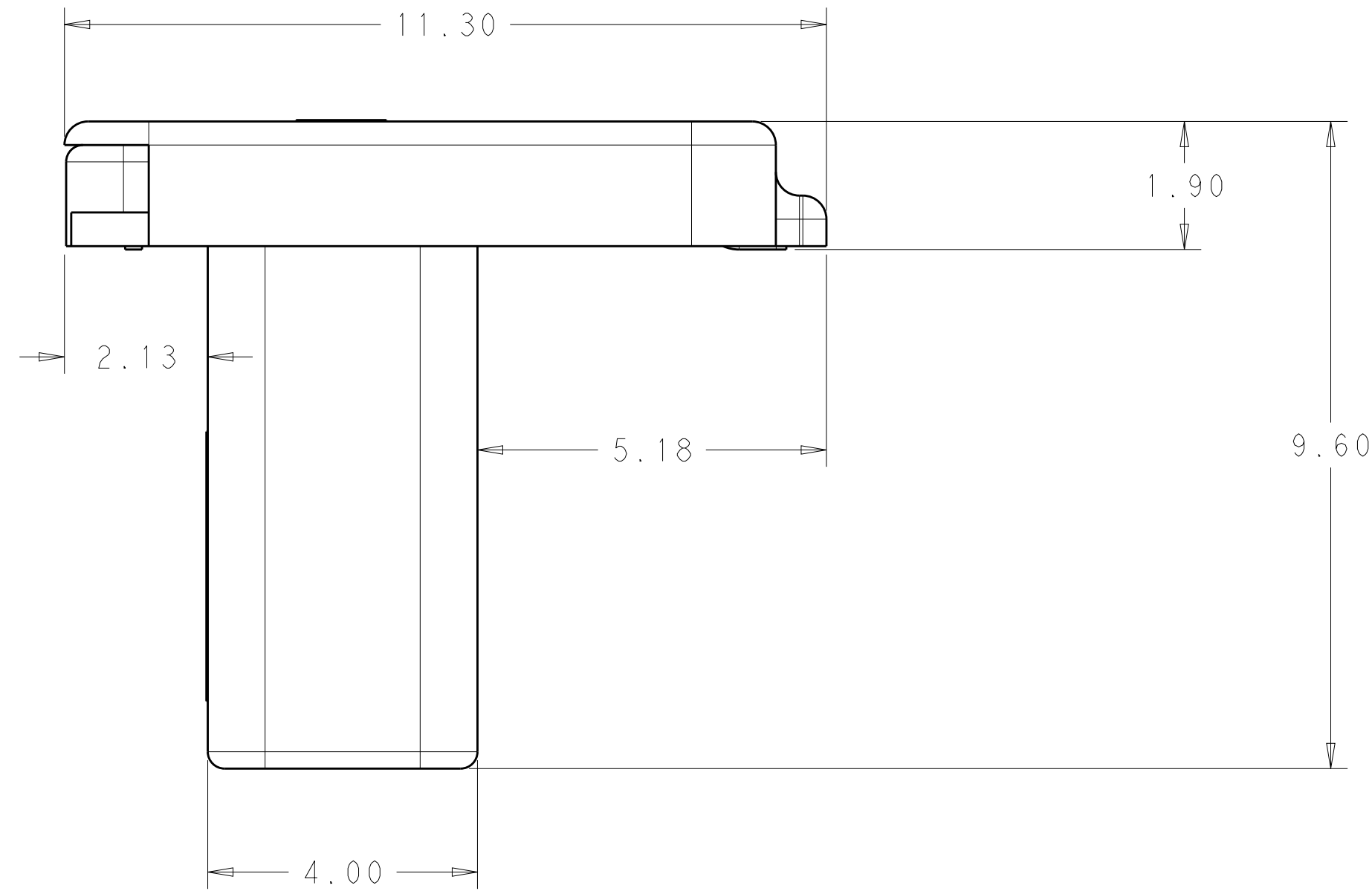
LOC	DIST	REVISIONS			
P	LTR	DESCRIPTION	DATE	DWN	APVD
-	-	SEE SHEET 1	-	-	-

R1.25



SCALE 12:1

2213188-3, -4

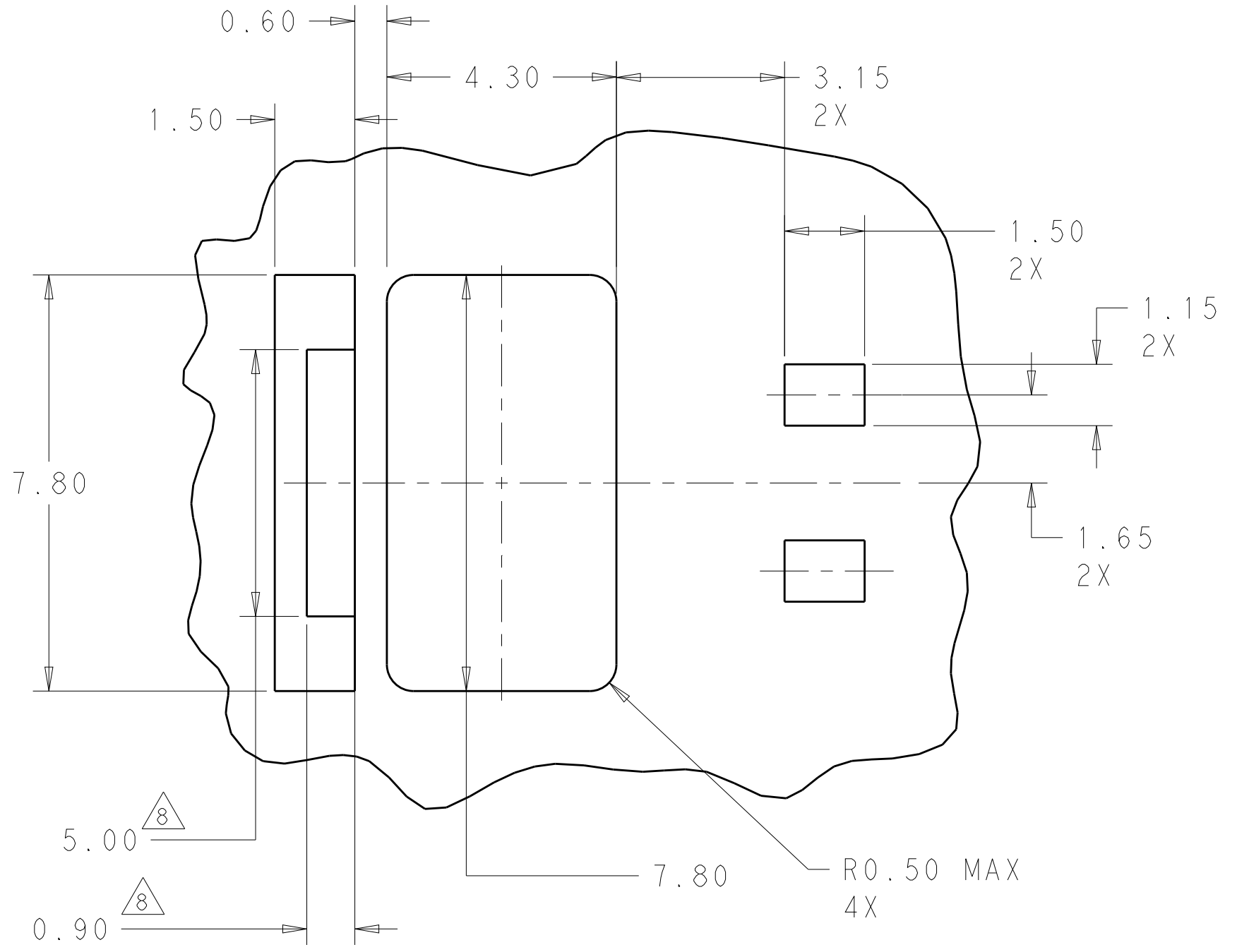


THIS PRINT IS
PRELIMINARY
 UNQUALIFIED PRODUCT
 CONTACT PRODUCT ENGINEERING
 BEFORE USING THIS PRINT

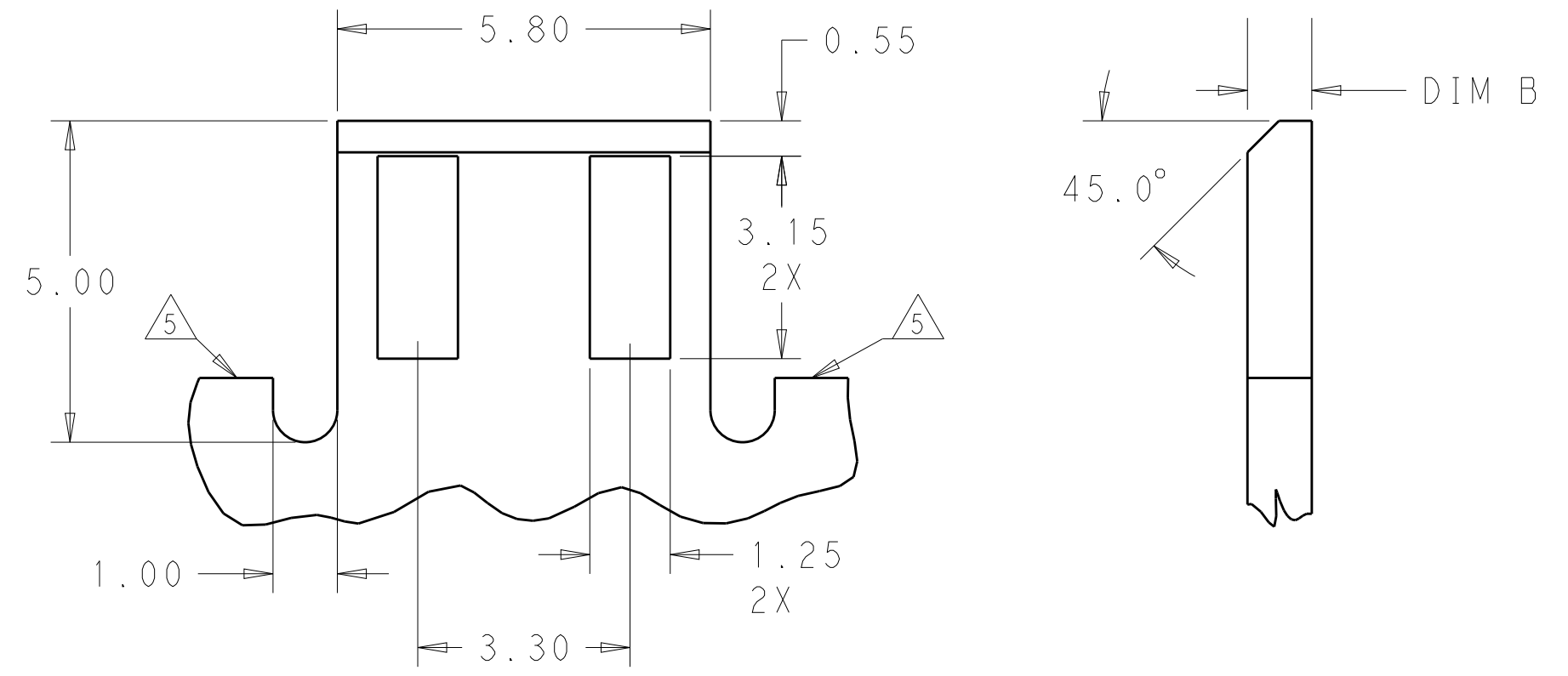
THIS DRAWING IS A CONTROLLED DOCUMENT.		DWN C. DAILY 25OCT2012	STC TE Connectivity	
DIMENSIONS: mm		CHK C. GINGRICH 25OCT2012		
TOLERANCES UNLESS OTHERWISE SPECIFIED:		APVD -	NAME ASSEMBLY, CARD EDGE INVERTED THROUGH BOARD	
0 PLC ±	1 PLC ±0.2	PRODUCT SPEC 108-32041	SIZE A200779	CAGE CODE C-2213188
2 PLC ±0.15	3 PLC ±	APPLICATION SPEC 114-32054	DRAWING NO	RESTRICTED TO
4 PLC ±	ANGLES ±2A°	WEIGHT -	SCALE 7:1	SHEET 2 OF 4
MATERIAL -	FINISH -	Customer Drawing	REV 11	

THIS DRAWING IS UNPUBLISHED. RELEASED FOR PUBLICATION 20
 © COPYRIGHT 20 BY - ALL RIGHTS RESERVED.

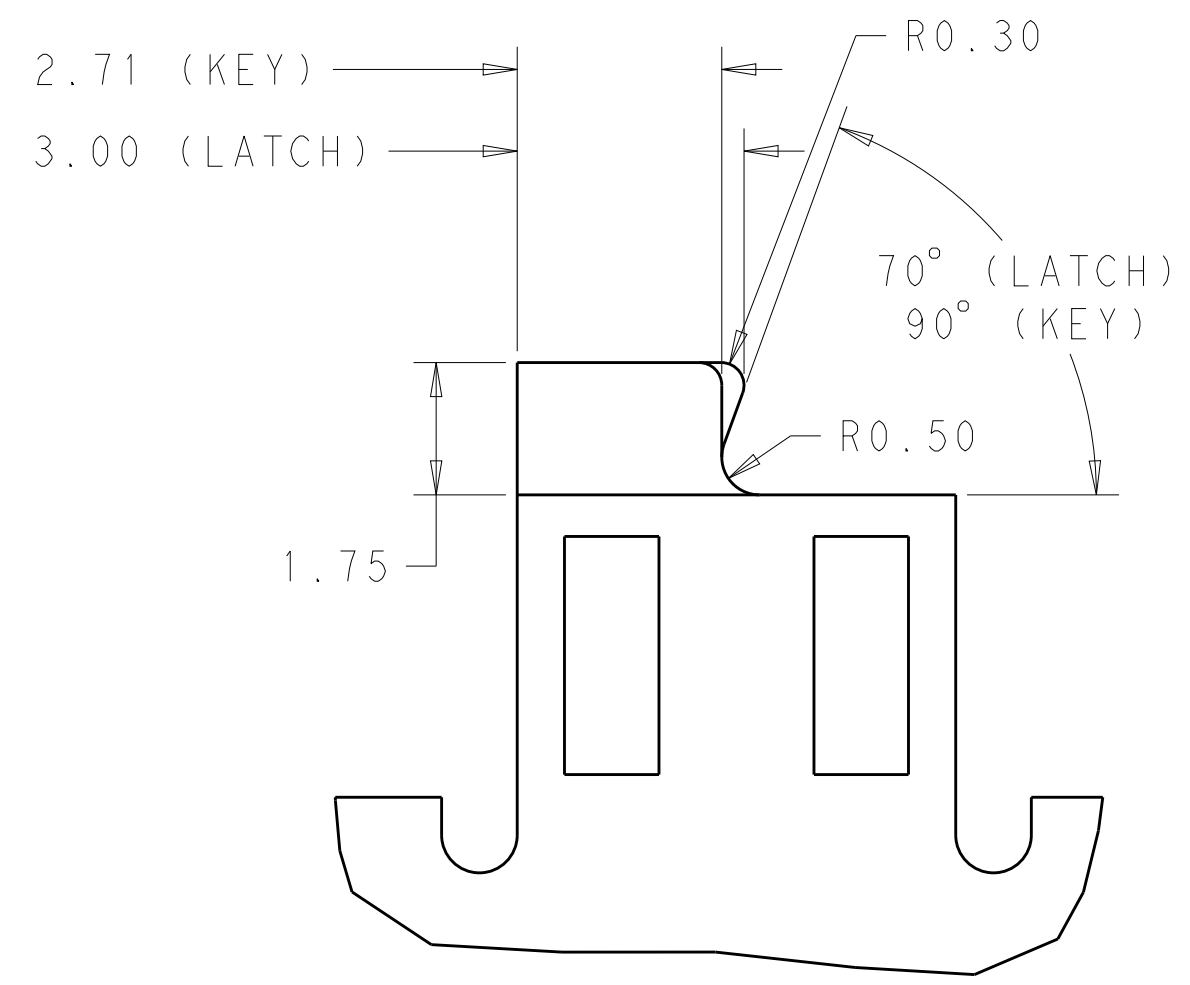
LOC		DIST		REVISIONS			
P	LTR	DESCRIPTION	DATE	DWN	APVD		
-	-	SEE SHEET 1	-	-	-		



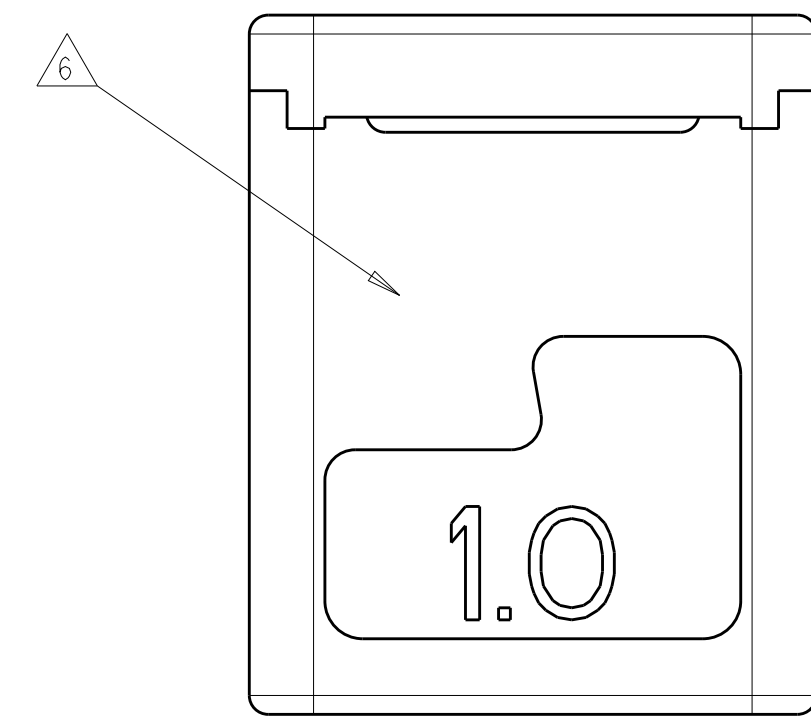
MOUNTING PCB LAYOUT
SCALE 10:1



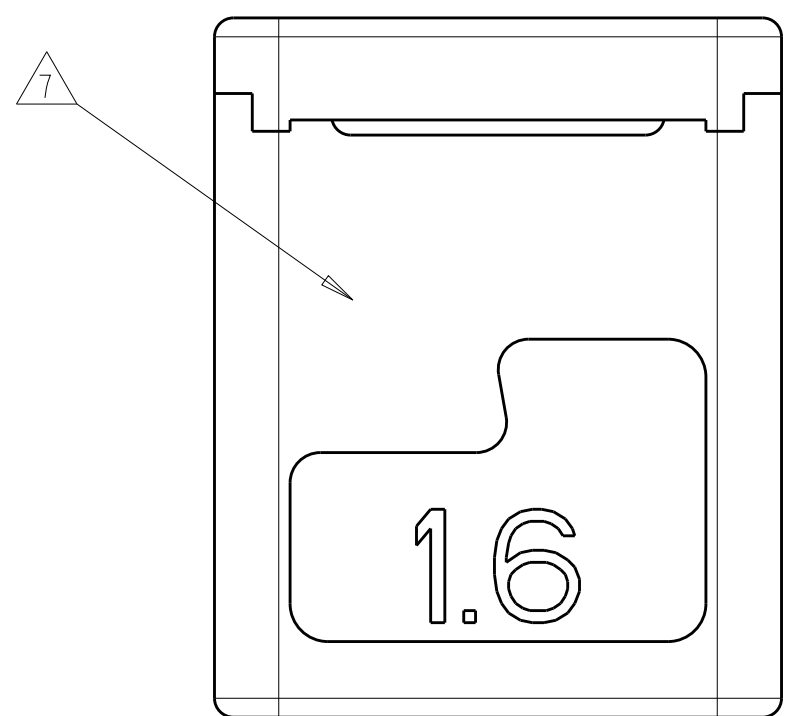
MATING PCB DETAILS (PREFERRED OPTION)
SCALE 10:1



MATING PCB DETAILS (KEY AND LATCH OPTIONS)
SCALE 10:1



2213188-1, -3
SCALE 10:1



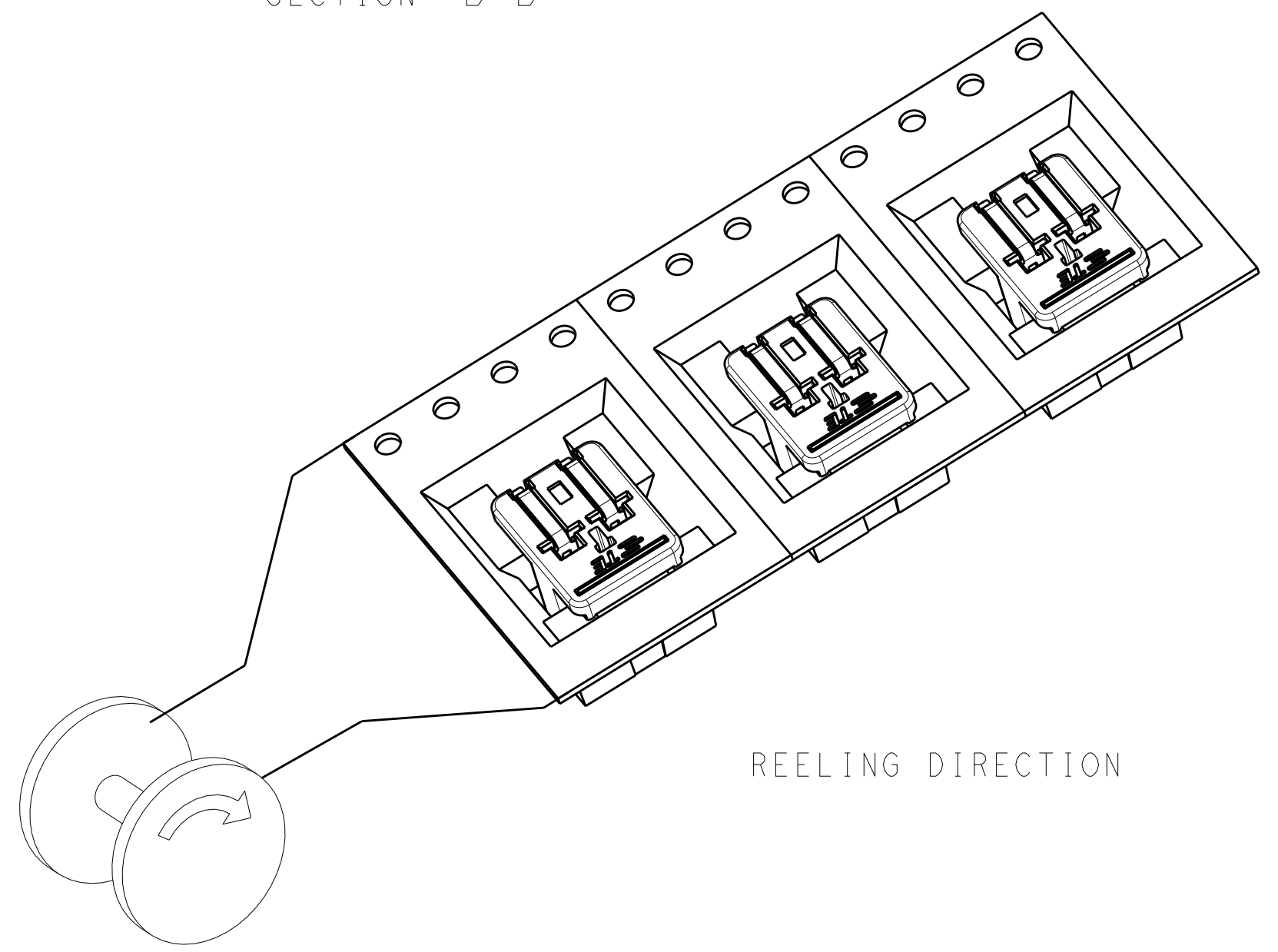
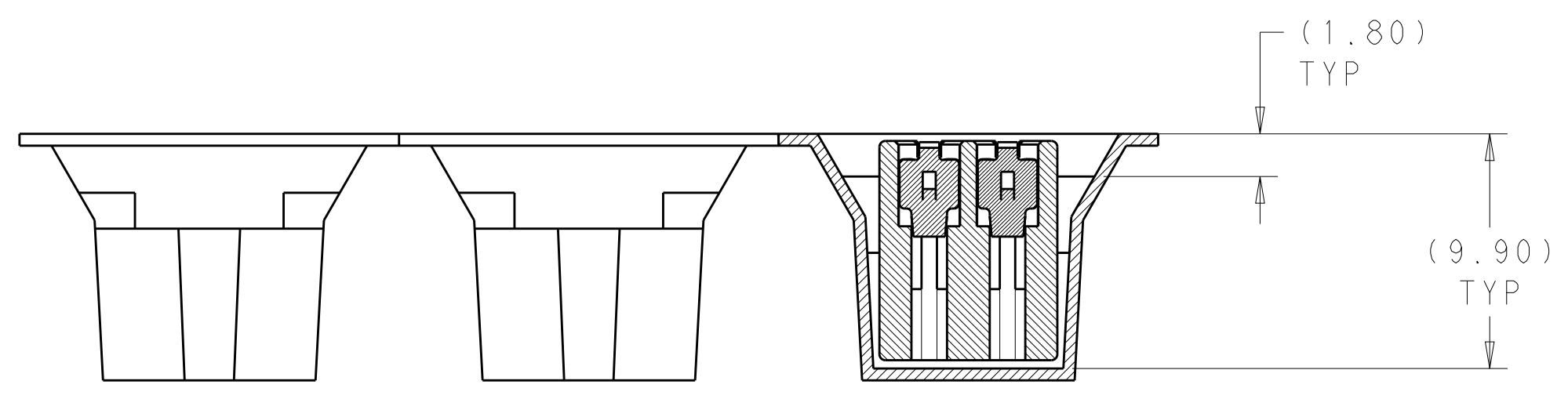
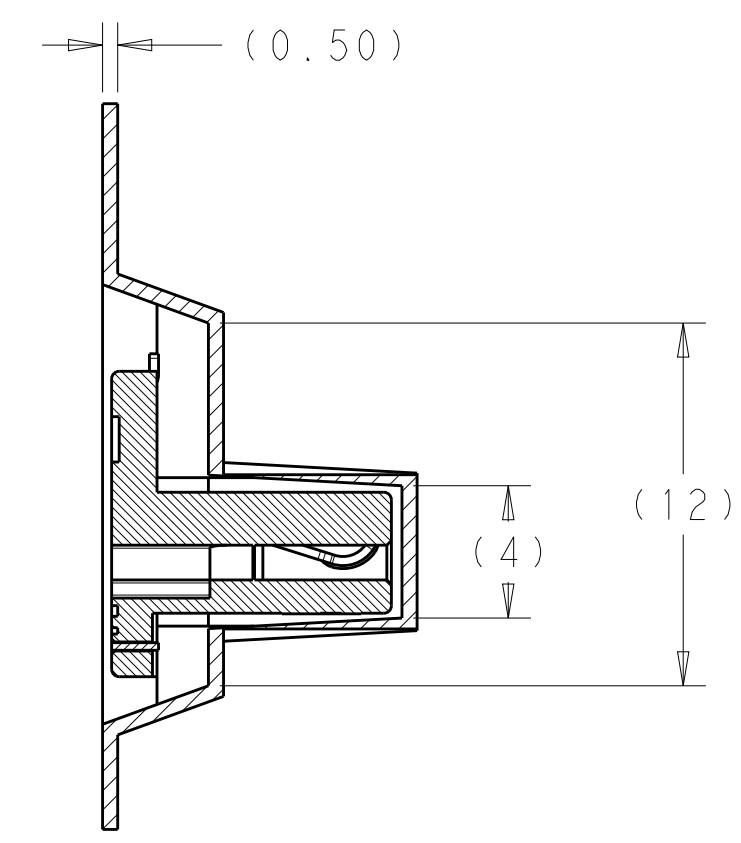
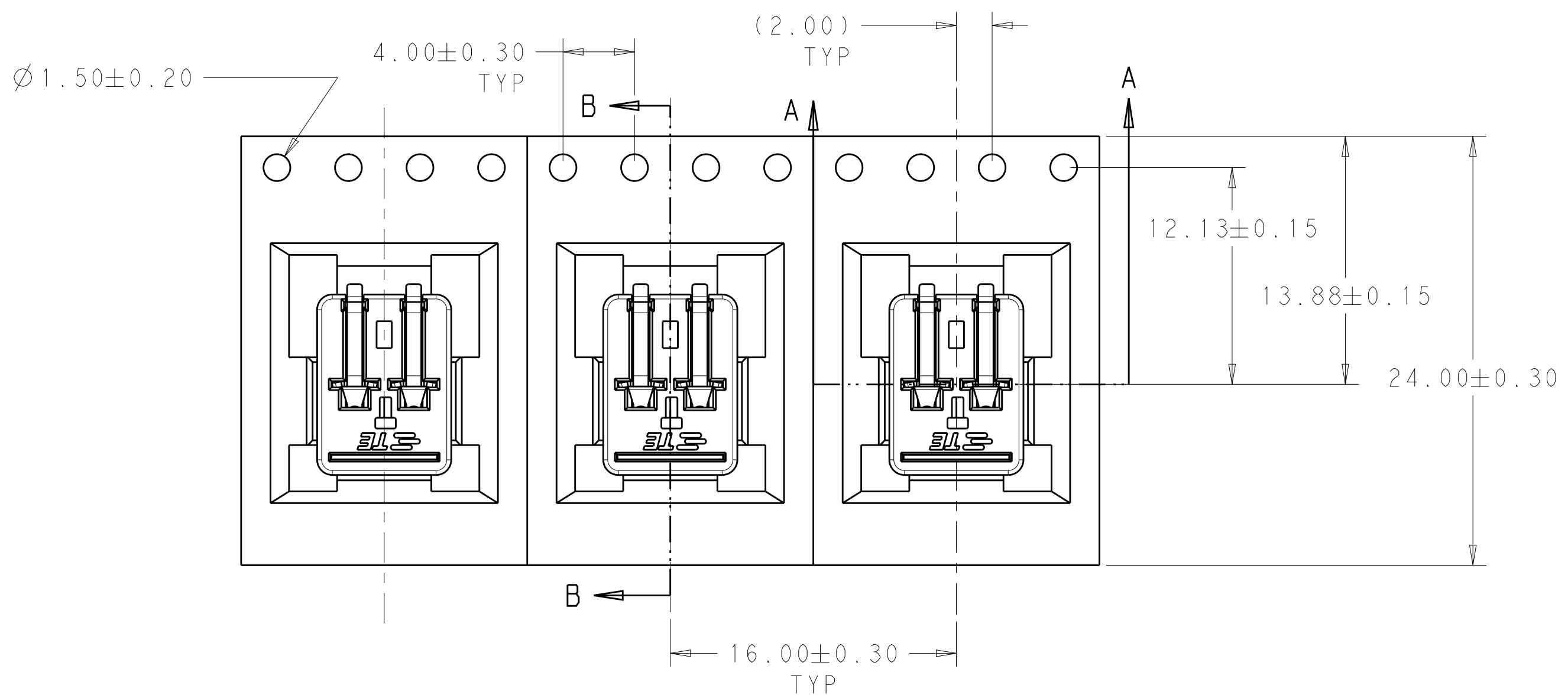
2213188-2, -4
SCALE 10:1

THIS PRINT IS
PRELIMINARY
UNQUALIFIED PRODUCT
CONTACT PRODUCT ENGINEERING
BEFORE USING THIS PRINT

THIS DRAWING IS A CONTROLLED DOCUMENT.		DWN C. DAILY 25OCT2012	STE TE Connectivity	
		CHK C. GINGRICH 25OCT2012		
DIMENSIONS: mm		TOLERANCES UNLESS OTHERWISE SPECIFIED:		NAME ASSEMBLY, CARD EDGE INVERTED THROUGH BOARD
0 PLC ±		1 PLC ±0.2		PRODUCT SPEC 108-32041
2 PLC ±0.15		3 PLC ±		APPLICATION SPEC 114-32054
4 PLC ±		ANGLES ±2°		SIZE A200779
FINISH		MATERIAL		CAGE CODE C-2213188
		Customer Drawing		RESTRICTED TO -
		SCALE 7:1		SHEET 3 OF 4
				REV 11

THIS DRAWING IS UNPUBLISHED. RELEASED FOR PUBLICATION 20
 © COPYRIGHT 20 BY - ALL RIGHTS RESERVED.

LOC		DIST		REVISIONS			
P	LTR	DESCRIPTION	DATE	DWN	APVD		
-	-	SEE SHEET 1	-	-	-		



PACKAGING FOR 2213188-1 SHOWN

THIS PRINT IS
PRELIMINARY
 UNQUALIFIED PRODUCT
 CONTACT PRODUCT ENGINEERING
 BEFORE USING THIS PRINT

THIS DRAWING IS A CONTROLLED DOCUMENT.		DWN C. DAILY 25OCT2012	TE Connectivity	
		CHK C. GINGRICH 25OCT2012		
DIMENSIONS: mm		APVD -		NAME ASSEMBLY, CARD EDGE INVERTED THROUGH BOARD
TOLERANCES UNLESS OTHERWISE SPECIFIED: 0 PLC ± 1 PLC ±0.2 2 PLC ±0.15 3 PLC ± 4 PLC ± ANGLES ±2° FINISH		PRODUCT SPEC 108-32041		SIZE A2
MATERIAL -		APPLICATION SPEC 114-32054		CAGE CODE A200779
		WEIGHT -		DRAWING NO C-2213188
		Customer Drawing		RESTRICTED TO -
		SCALE 7:1		SHEET 4 OF 4
				REV 11