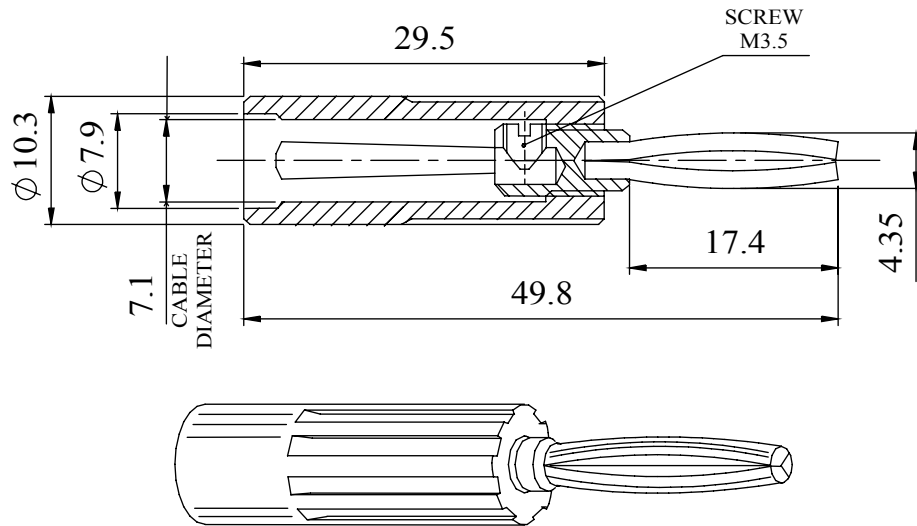


A very reliable plug, rated at 10 Amps, with a screw connection for the lead wire and a screw-on rigid acetal moulding. Accepts up to 7,1mm diameter cable with a conductor of 3,5mm diameter.

Dimensions

MAXIMUM CONDUCTOR SIZE 3.5mm



MATERIALS

HOUSING : Acetal C 27021 R
 TRIPLE : Brass,
 CONTACTS : flash gold plated
 CABLE : or nickel plated

LEAD ENTRY : Ø 7,1mm
 WIRE : Ø 3,5mm

RATING : 10 AMPS
 RATED VOLTAGE : 50V

COLOUR	NICKEL	FLASH GOLD PLATING
BLACK	557-0100	557-0100-41
BLUE	557-0200	557-0200-41
BROWN	557-0300	557-0300-41
GREEN	557-0400	557-0400-41
RED	557-0500	557-0500-41
WHITE	557-0600	557-0600-41
YELLOW	557-0700	557-0700-41