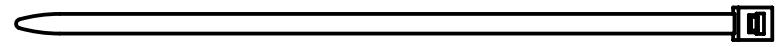
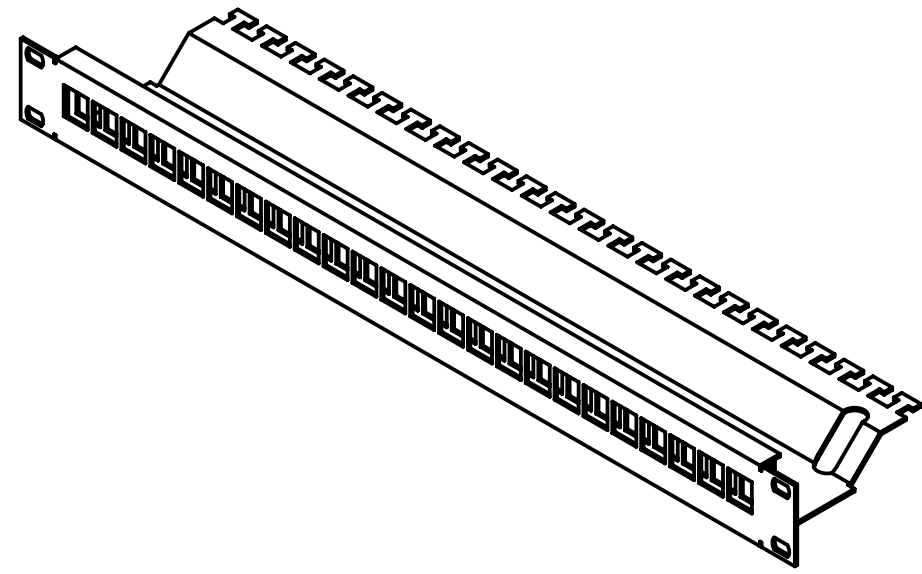


View range of accessories
(1:1)



24x cable ties enclosed

| | | | | | | | | | |
|--|--|---|-----------------------|-----------------------|---------------------------|--------------------|------------------------|--|---|
| | All rights reserved Department EC PD - RO | All Dimensions in mm Original Size DIN A4 | | Scale 1:5 | Free size tol. | | Ref. Sub. | | |
| | | HARTING Electronics GmbH D-32339 Espelkamp | Created by TAMAS | Inspected by AVRAM | Standardisation KOHLER | Date 2014-05-20 | State Final Release | | Doc-Key / ECM-Nr. 100213732/UGD/003/A 500000074.765 |
| | | Title Keystone Patch panel, unloaded | | | | | Rev. A | | Page 1/1 |
| | | Type TB | Number 20824000002 | | | | | | |