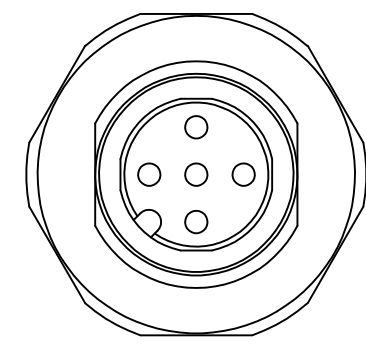
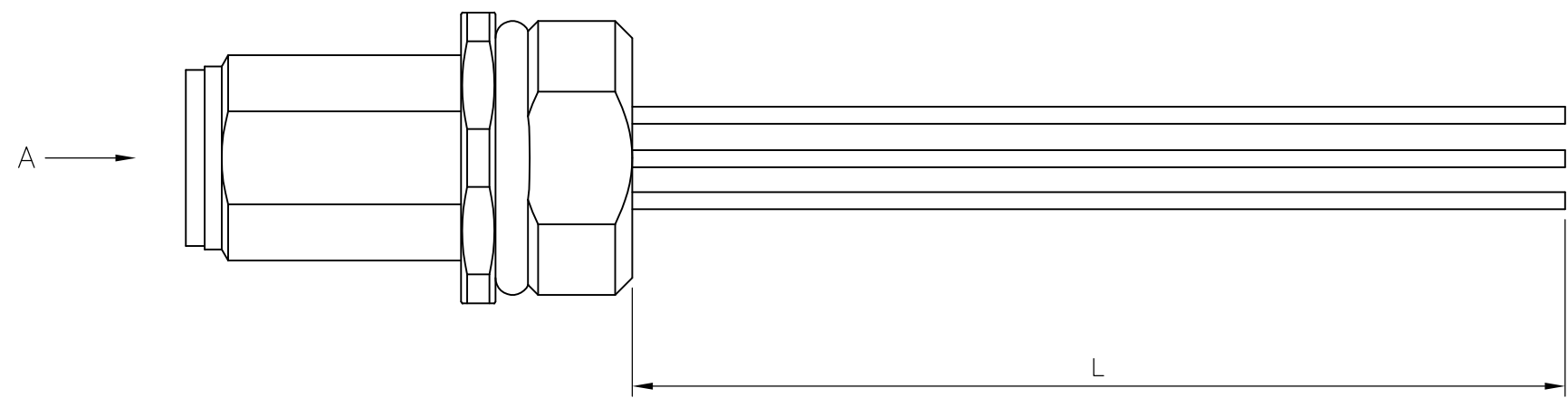


THIS DRAWING IS UNPUBLISHED. RELEASED FOR PUBLICATION
 © COPYRIGHT - By - ALL RIGHTS RESERVED.

LOC	DIST	REVISIONS					
		P	LTR	DESCRIPTION	DATE	DWN	APVD
H	-		A	INITIAL RELEASE	15NOV2013	YC	BvH
			A1	ECR-14-002932	04MAR2014	YC	BvH
			A2	ECR-15-003371	04MAR2015	GSK	BvH

NOTES:
 Tolerances cable lengths:
 0m to 0.5m +30mm
 0.5m to 1.0m +50mm
 1.0m to 3.0m +100mm
 < 3.0m +1.5%


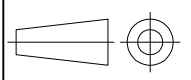


VIEW 'A'

TECHNICAL DATA	
Operating voltage	max. 125 V AC/DC
Operating current per contact	max. 4 A
Locking of ports	Screw thread M12 x 1 mm (recommended torque 0.6 Nm) self-securing
Protection	IP65 and IP67 when plugged and screwed down (EN 60529)

PUR CABLE	
No./diameter of wires	5 x 0.34 mm ²
Wire isolation	PP (br, wh, bl, bk, gr) (UL/CSA)
C-track properties	
Outer diameter	approx. 3.4 mm
Bend radius (moving)	10 x outer diameter
Temperature range (fixed)	-40...+80 °C

5 pos	0.2mtr	2273052-1	5X22AWG PANELMOUNT 0.2m WIRES	1
	LENGTH "L"	TE PN	DESCRIPTION	ITEM

THIS DRAWING IS A CONTROLLED DOCUMENT.		DWN YATHISH.C 15NOV2013	 TE Connectivity	
DIMENSIONS: mm		CHK B.VELDHOVEN 15NOV2013		
TOLERANCES UNLESS OTHERWISE SPECIFIED:		APVD A.VAN ZANDVOORT 15NOV2013	NAME M12 MALE PNL MLD REAR Mt PG9/M16 PIGT A	
		PRODUCT SPEC 108-19483	RESTRICTED TO	
MATERIAL		APPLICATION SPEC 114-32127	SIZE A3	CAGE CODE 00779
FINISH		WEIGHT -	DRAWING NO C-2273052	RESTRICTED TO -
CUSTOMER DRAWING			SCALE NTS	SHEET 1 OF 1
			REV A2	