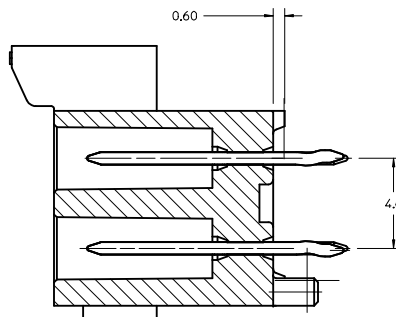
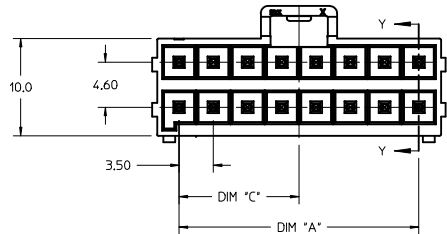
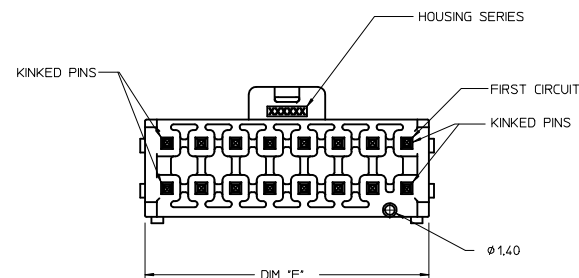


FIRST CIRCUIT MARK
(NOT SHOWING ON 4
AND 6 CIRCUITS SERIES)

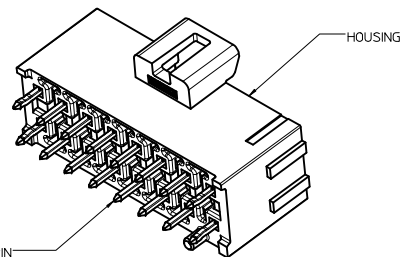
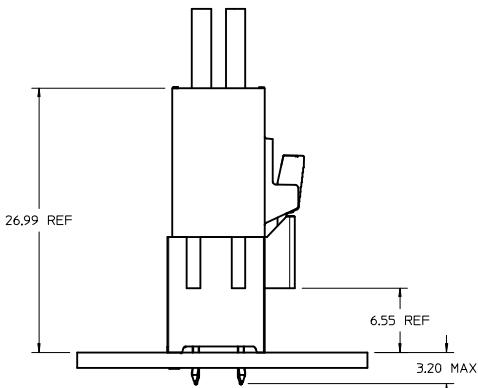


SECTION Y-Y
SCALE 8:1

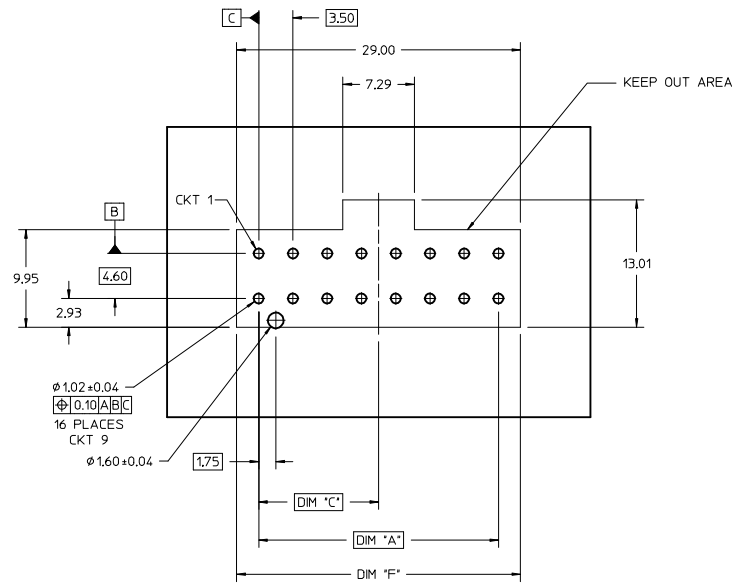
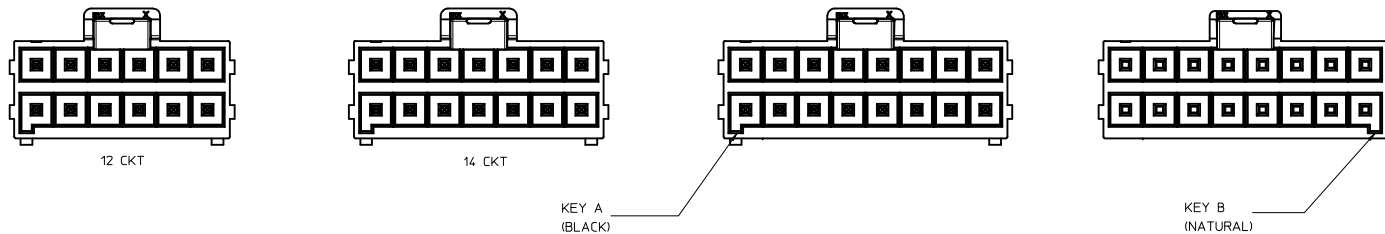
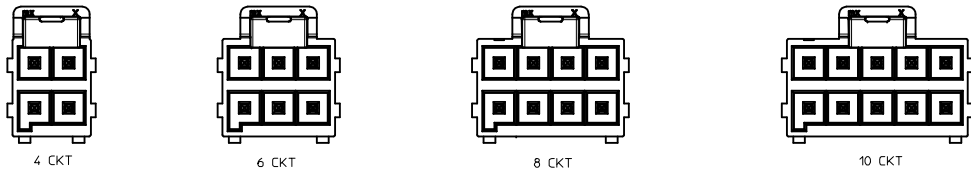


NOTES:

1. MATERIAL :
HOUSING
OPTION 1: LCP E130i BLACK
OPTION 2: LCP E130i NATURAL
TERMINAL: COPPER ALLOY
2. PLATING FINISH:
OPTION 1 - 1.5 μ m(60 μ in)-2.5 μ m(100 μ in) TIN OVER
1.25 μ m(50 μ in)-2.5 μ m(100 μ in) NICKEL OVERALL
OPTION 2 - 0.35 μ m(15 μ in) GOLD CONTACT AREA,
1.5 μ m(60 μ in)-2.5 μ m(100 μ in) TIN TAIL AREA OVER
1.25 μ m(50 μ in)-2.5 μ m(100 μ in) NICKEL OVERALL
OPTION 3 - 0.70 μ m(30 μ in) GOLD CONTACT AREA,
1.5 μ m(60 μ in)-2.5 μ m(100 μ in) TIN TAIL AREA OVER
1.25 μ m(50 μ in)-2.5 μ m(100 μ in) NICKEL OVERALL
2. PARTS TO BE PACKAGED PER PK-172298-9001
3. PRODUCT SPECIFICATION PS-172323-0001
4. PART MATES WITH MOLEX RECEPTACLE HOUSING
172258 AND 172262
5. PART CONFORMS TO CLASS 'C' REQUIREMENTS OF SPECIFICATION
PS-45499-002 WITH 0.13 MM MAXIMUM FLASH ALLOWED IN CORE
HOLES AND FRONT SURFACE.
6. DISCOLORATION IN THE BANDOLIER AREA OF THE PIN IS
INHERENT TO THE PLATING PROCESS AND IS DUE TO THE MASKING
EFFECT OF THE CARRIER, THIS DISCOLORATION IS IN A NON-FUNCTIONAL
AREA OF THE PIN AND WILL NOT AFFECT THE PERFORMANCE OF THE
HEADER ASSEMBLY.
7. APPLICATION SPECIFICATION: AS-172323-0001



X RELEASE EEC NO: UCP2015-4103 DRAWN/DROSCA B4 CHKD: APPR:RHODGE DESCRIPTION 2015/04/14 2015/04/15	QUALITY SYMBOLS	GENERAL TOLERANCES (UNLESS SPECIFIED)	DIMENSION STYLE	SCALE	DESIGN UNITS	THIRD ANGLE PROJECTION	
	∇=0 ∇=0 ∇=0	mm INCH 4 PLACES ± --- ± --- 3 PLACES ± --- ± --- 2 PLACES ± 0.25 ± --- 1 PLACE ± 0.5 ± --- 0 PLACE ± --- ± ---	MM ONLY	4:1	METRIC	DRAWN BY DATE DROSCA 2014/03/04 CHECKED BY DATE APPROVED BY DATE JCOMERCI 2014/04/24	TITLE ULTRA-FIT VERT HEADER 4-16 CKTS DUAL ROW KINKED PINS molex DOCUMENT NO. SD-172298-1000
	DRAFT WHERE APPLICABLE MUST REMAIN WITHIN DIMENSIONS	ANGULAR ±1/2° SIZE D	MATERIAL NO. SEE CHART	SHEET NO. 1 OF 2			
	THIS DRAWING CONTAINS INFORMATION THAT IS PROPRIETARY TO MOLEX INCORPORATED AND SHOULD NOT BE USED WITHOUT WRITTEN PERMISSION						



PCB LAYOUT COMPONENT SIDE
RECOMMENDED PCB THICKNESS 1.60MM-2.40MM

NOTE: DATUM --A-- IS ON PCB COMPONENT SIDE

TIN PLATING						
PART NO.	COLOR	CIRCUIT SIZE	KEY OPTION	DIM A	DIM F	DIM C
172298-1104	BLACK	4	KEY A	3.50	8.00	1.75
172298-1106	BLACK	6	KEY A	7.00	11.50	3.50
172298-1108	BLACK	8	KEY A	10.50	15.00	5.25
172298-1110	BLACK	10	KEY A	14.00	18.50	7.00
172298-1112	BLACK	12	KEY A	17.50	22.00	8.75
172298-1114	BLACK	14	KEY A	21.00	25.50	10.50
172298-1116	BLACK	16	KEY A	24.50	29.00	12.25
172298-2104	NATURAL	4	KEY B	3.50	8.00	1.75
172298-2106	NATURAL	6	KEY B	7.00	11.50	3.50
172298-2108	NATURAL	8	KEY B	10.50	15.00	5.25
172298-2110	NATURAL	10	KEY B	14.00	18.50	7.00
172298-2112	NATURAL	12	KEY B	17.50	22.00	8.75
172298-2114	NATURAL	14	KEY B	21.00	25.50	10.50
172298-2116	NATURAL	16	KEY B	24.50	29.00	12.25

15 MICROINCH GOLD PLATING						
PART NO.	COLOR	CIRCUIT SIZE	KEY OPTION	DIM A	DIM F	DIM C
172298-1204	BLACK	4	KEY A	3.50	8.00	1.75
172298-1206	BLACK	6	KEY A	7.00	11.50	3.50
172298-1208	BLACK	8	KEY A	10.50	15.00	5.25
172298-1210	BLACK	10	KEY A	14.00	18.50	7.00
172298-1212	BLACK	12	KEY A	17.50	22.00	8.75
172298-1214	BLACK	14	KEY A	21.00	25.50	10.50
172298-1216	BLACK	16	KEY A	24.50	29.00	12.25
172298-2204	NATURAL	4	KEY B	3.50	8.00	1.75
172298-2206	NATURAL	6	KEY B	7.00	11.50	3.50
172298-2208	NATURAL	8	KEY B	10.50	15.00	5.25
172298-2210	NATURAL	10	KEY B	14.00	18.50	7.00
172298-2212	NATURAL	12	KEY B	17.50	22.00	8.75
172298-2214	NATURAL	14	KEY B	21.00	25.50	10.50
172298-2216	NATURAL	16	KEY B	24.50	29.00	12.25

30 MICROINCH GOLD PLATING						
PART NO.	COLOR	CIRCUIT SIZE	KEY OPTION	DIM A	DIM F	DIM C
172298-1304	BLACK	4	KEY A	3.50	8.00	1.75
172298-1306	BLACK	6	KEY A	7.00	11.50	3.50
172298-1308	BLACK	8	KEY A	10.50	15.00	5.25
172298-1310	BLACK	10	KEY A	14.00	18.50	7.00
172298-1312	BLACK	12	KEY A	17.50	22.00	8.75
172298-1314	BLACK	14	KEY A	21.00	25.50	10.50
172298-1316	BLACK	16	KEY A	24.50	29.00	12.25
172298-2304	NATURAL	4	KEY B	3.50	8.00	1.75
172298-2306	NATURAL	6	KEY B	7.00	11.50	3.50
172298-2308	NATURAL	8	KEY B	10.50	15.00	5.25
172298-2310	NATURAL	10	KEY B	14.00	18.50	7.00
172298-2312	NATURAL	12	KEY B	17.50	22.00	8.75
172298-2314	NATURAL	14	KEY B	21.00	25.50	10.50
172298-2316	NATURAL	16	KEY B	24.50	29.00	12.25

SEE PAGE 1 DEC NO: UCP2015-4103 DRAWN BY: DROSCA CHKD: CHYK APPR: RHODGE DATE: 2015/04/14 2015/04/15	QUALITY SYMBOLS	GENERAL TOLERANCES (UNLESS SPECIFIED)	DIMENSION STYLE	SCALE	DESIGN UNITS	THIRD ANGLE PROJECTION
	$\nabla=0$ $\nabla=0$ $\nabla=0$	mm INCH 4 PLACES ± ± 3 PLACES ± ± 2 PLACES ±0.25 ± 1 PLACE ±0.5 ± 0 PLACE ± ±	MM ONLY	4:1	METRIC	DROSCA DATE: 2014/03/04 CHECKED BY DATE
	ANGULAR ±1/2° DRAFT WHERE APPLICABLE MUST REMAIN WITHIN DIMENSIONS	MATERIAL NO. SEE PAGE 1	TITLE ULTRA-FIT VERT HEADER 4-16 CKTS DUAL ROW KINKED PINS molex	DOCUMENT NO. SD-172298-1000	SHEET NO. 2 OF 2	
	THIS DRAWING CONTAINS INFORMATION THAT IS PROPRIETARY TO MOLEX INCORPORATED AND SHOULD NOT BE USED WITHOUT WRITTEN PERMISSION					