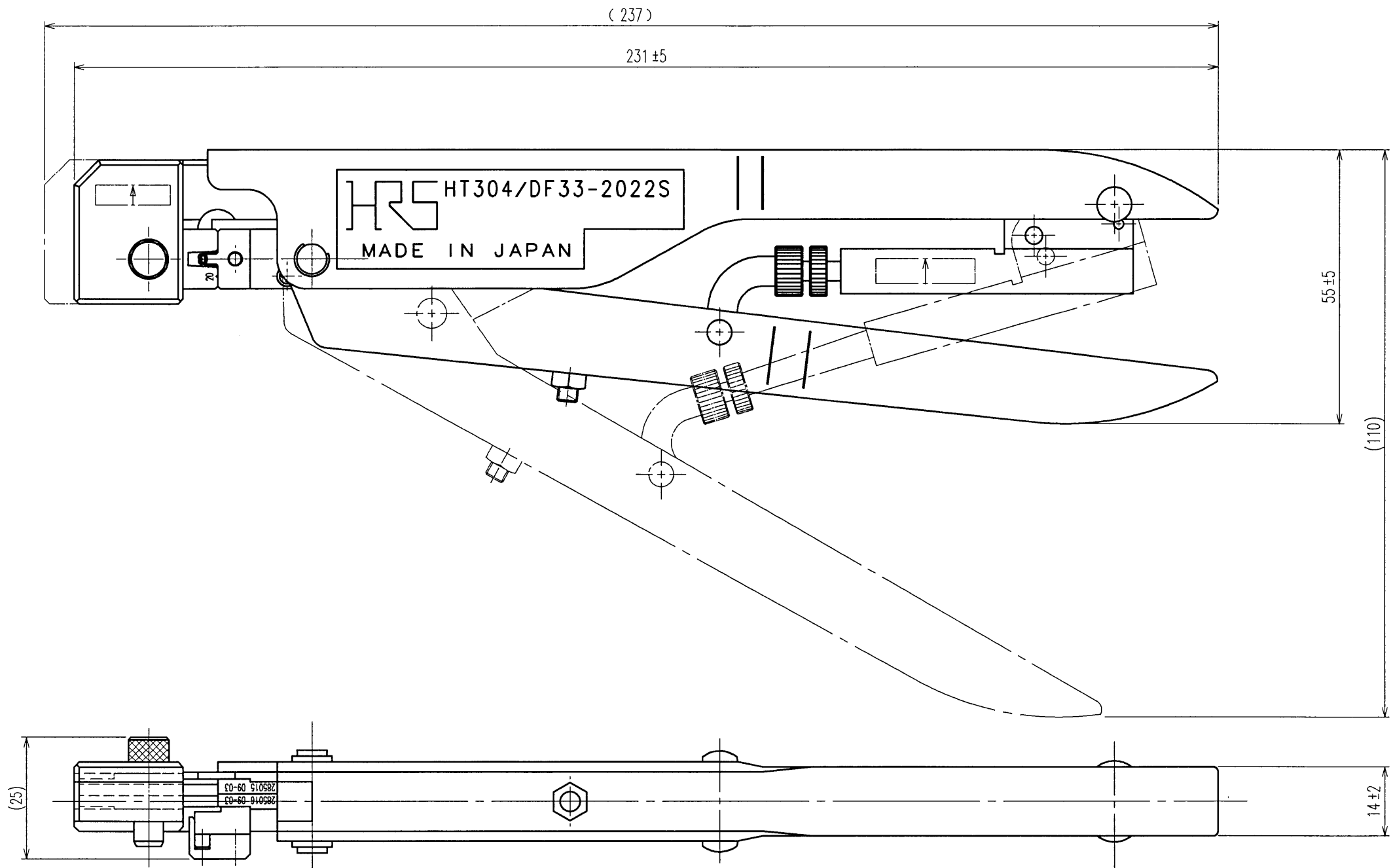


TO
PCK
PE



Notes. 1 Contact of DF33-2022SC(CL676-1032-0) and DF33A-2022SC(CL676-1093-5) is assembled for this tool.

COUNT	DESCRIPTION OF REVISIONS	BY	CHKD	DATE	COUNT	DESCRIPTION OF REVISIONS	BY	CHKD	DATE
△				..	△				..
△				..	△				..
△				..	△				..

2			4		
1			3		
NO.	MATERIAL	FINISH, REMARKS	NO.	MATERIAL	FINISH, REMARKS
CODE NO. (OLD) CL			DRAWN	DESIGNED	CHECKED
			M. TAKAHASHI 09. 3. 27	M. TAKAHASHI 09. 3. 27	S. TOYODA 09. 3. 27
			APPROVED S. Sakabe 09. 03. 27		RELEASED ..
DRAWING NO. EDC3-276074			PART NO. HT304/DF33-2022S		
SCALE 1 : 1			CODE NO. CL550-0300-1		
UNITS mm			1/1		