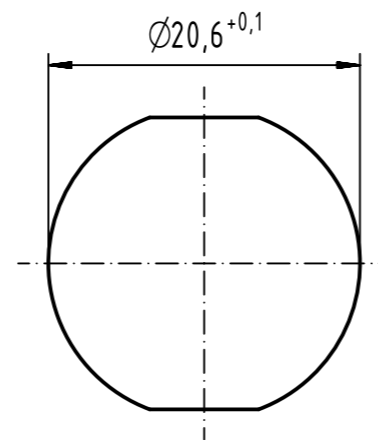


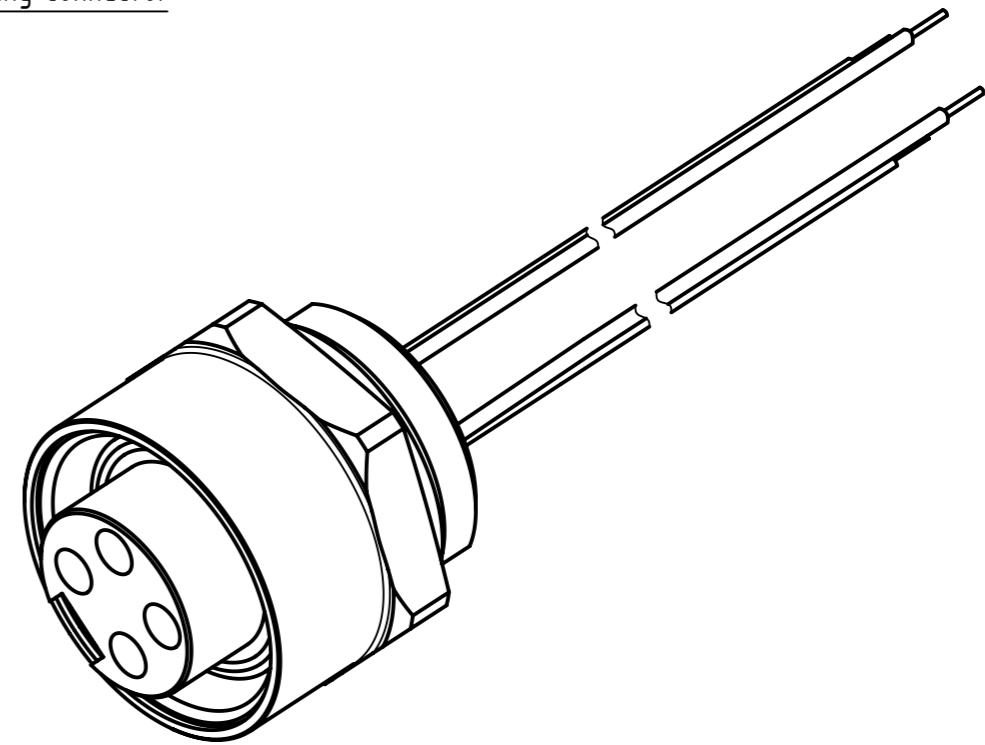
Loading plan:

- 1 brown
- 2 white
- 3 blue
- 4 black

Recommended panel cut-out



Minimum wall thickness 2.5mm



- Protection level: IP67
 - Temperature range: -30°C...+75°C

| | | | |
|-----------|-------------|---------------|-----------|
| 1 | 21043162401 | AWG 18, PVC | 0.5 |
| Cont. No. | Part - no. | Type of cable | Dim. a[m] |

| | | | | | | |
|---|-----------------------|--|---|--------------------------|-----------------|---|
| | All rights reserved | | Scale 2:1 Free size tol. | | Ref. Sub. | |
| | Department EC PD - RO | | Created by TOMUTA Inspected by AVRAM | Standardisation HOFFMANN | Date 2014-08-21 | State Final Release |
| HARTING Electronics GmbH D-32339 Espelkamp | | | Title 7/8" Cable Assembly Type TB Number 210431624XX | | | Doc-Key / ECM-Nr. 100587942/UGD/000/A 50000079071 |
| | | | | | | Rev. A Page 1/1 |