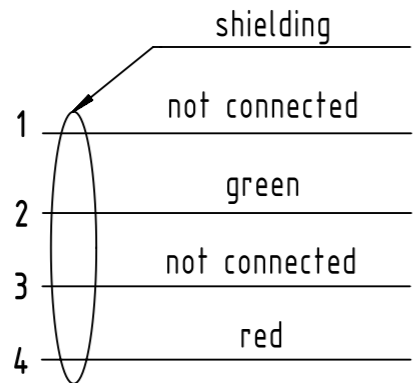
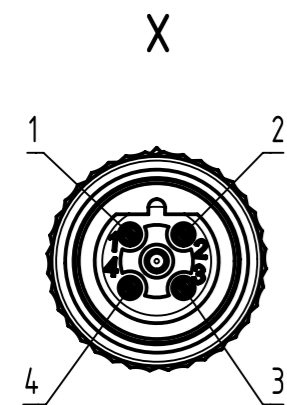
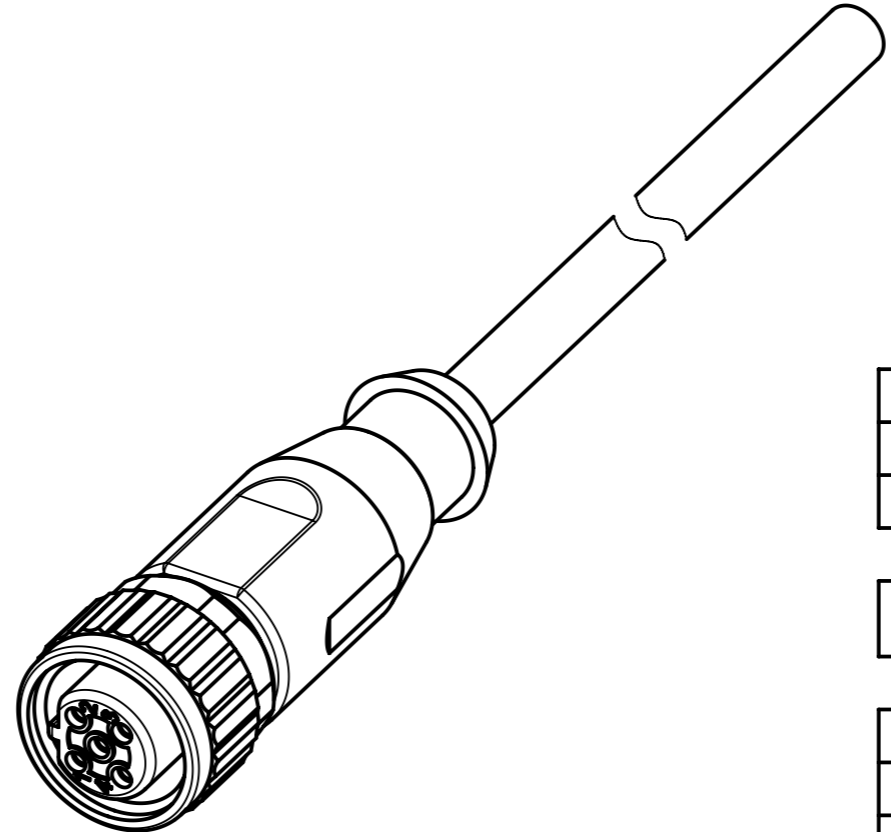


M12 B-coded 4-poles, female straight connector

Loading-Plan:



- Protection level: IP67
 - Temperature range: -30°C ... +60°C



length in "1m" step	40	XXX=400
	39	XXX=390
	.	.
	12	XXX=120
length in "0.1m" step	11	XXX=110
	10	XXX=100
	9.9	XXX=099
	9.8	XXX=098
	.	.
	0.4	XXX=004
	0.3	XXX=003
	0.2	XXX=002
0.1	XXX=001	
Step	a [m]	XXX

4.0 to 40	+1%
0.1 to 3.9	+0.04
a [m]	Tolerance

Part no.	213489004XXXXX
----------	----------------

Type of cable	XX
PVC violet, 2xAWG22	XX=86
TPE violet, 2xAWG24	XX=87

	All rights reserved	Created by	Inspected by	Standardisation	Date	State	
	Department EC PD - RO	TOMUTA	AVRAM	KOHLER	2014-07-16	Final Release	
HARTING Electronics GmbH		Title M12 B-coded Cable Assembly				Doc-Key / ECM-Nr.	
D-32339 Espelkamp		Type	Number	Rev.		Page	
		TB	213489004XXXXX	A		1/1	