

10 9 8 7 6 5 4 3 2 1

F

E

D

C

B

A

F

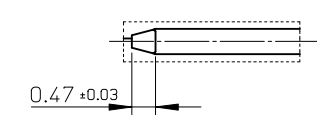
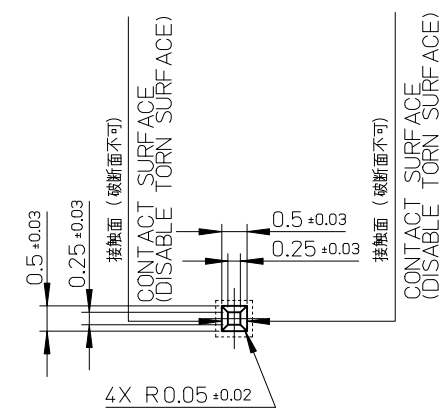
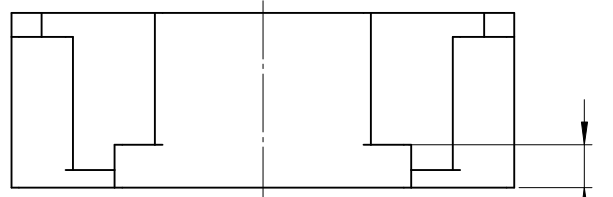
E

D

C

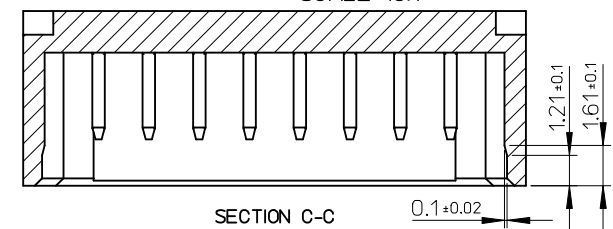
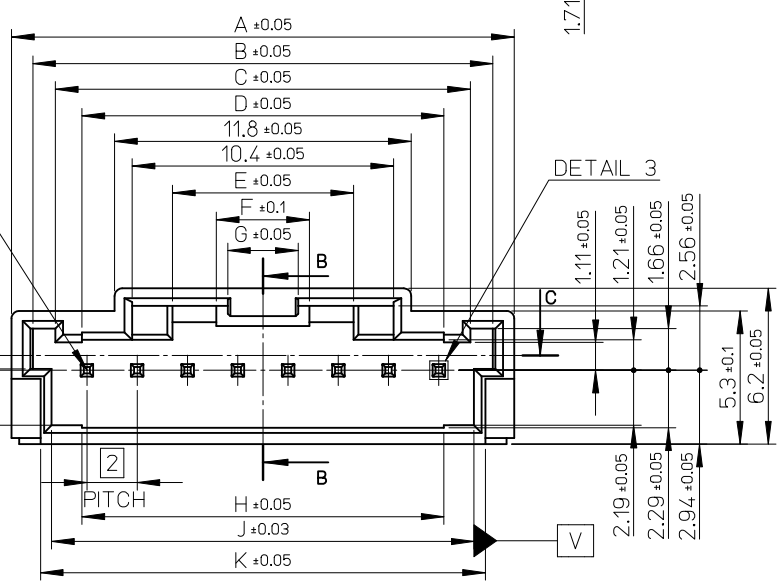
B

A

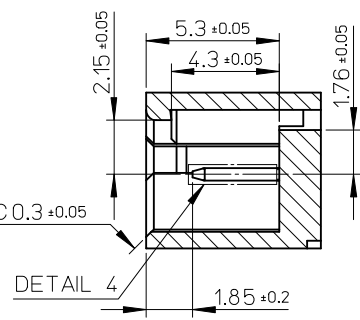


DETAIL 3
SCALE 10:1

DETAIL 4
SCALE 10:1



SECTION C-C



SECTION B-B

31.7	30.8	28.4	2.8	3.7	7.2	28.4	30.5	32.3	34	15
29.7	28.8	26.4	2.8	3.7	7.2	26.4	28.5	30.3	32	14
27.7	26.8	24.4	2.8	3.7	7.2	24.4	26.5	28.3	30	13
25.7	24.8	22.4	2.8	3.7	7.2	22.4	24.5	26.3	28	12
23.7	22.8	20.4	2.8	3.7	7.2	20.4	22.5	24.3	26	11
21.7	20.8	18.4	2.8	3.7	7.2	18.4	20.5	22.3	24	10
19.7	18.8	16.4	2.8	3.7	7.2	16.4	18.5	20.3	22	9
17.7	16.8	14.4	2.8	3.7	7.2	14.4	16.5	18.3	20	8
15.7	14.8	12.4	2.8	3.7	7.2	12.4	14.5	16.3	18	7
13.7	12.8	10.4	2.8	3.7	7.2	10.4	12.5	14.3	16	6
11.7	10.8	8.4	2.8	3.7	7.2	8.4	10.5	12.3	14	5
9.7	8.8	6.4	2.8	3.7	7.1	6.4	8.5	10.3	12	4
7.7	6.8	4.4	2	2.9	5.1	4.4	6.5	8.3	10	3
										2
K	J	H	G	F	E	D	C	B	A	CKT

注記 NOTES

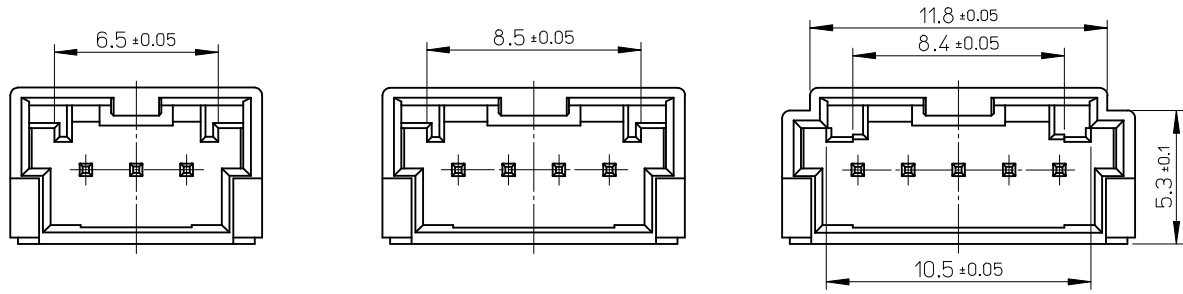
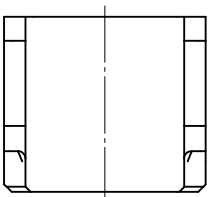
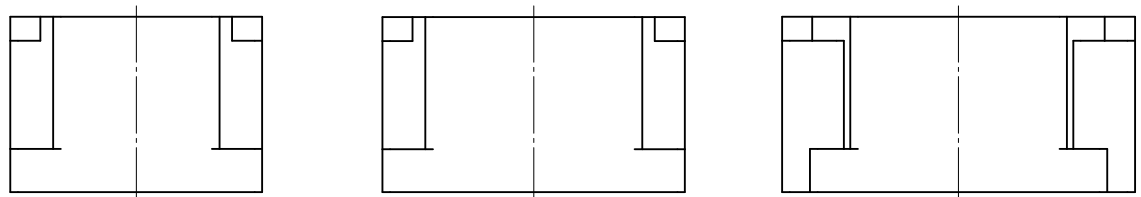
- 弊社製品寸法を保証するものではありません。
THIS DRAWING IS NOT GUARANTY DIMENSIONS FOR MOLEX PRODUCT.
- 嵌合相手
MATES WITH
502351-**0*: DuraClik
505151-**00: DuraClik TPA
560123-**0*: DuraClik ISL
- メッキ仕様
ピン: 銅合金、ニッケル下地(1μm以上)、錫メッキ(1μm以上)
PLATING SPEC
PIN: COPPER ALLOY, TIN(1μm MIN.) OVER NICKEL(1μm MIN.) PLATE.
- 参照図面
REFERENCE DRAWING
SD-502352-001

RECOMMENDED DIMENSIONS FOR CONNECTOR INTERFACE

RELEASED EC NO.: JTR2016-0011 DRWN: YAMAKI 2015/03/25 CHKD: HKOMATSU 2015/07/24 APPR: MAYAMAMOTO 2015/07/24	QUALITY SYMBOLS △/□ = 0 △/◇ = 0 △/▽ = 0	GENERAL TOLERANCES (UNLESS SPECIFIED)		DIMENSION STYLE MM ONLY	SCALE 5:1	DESIGN UNITS METRIC	THIRD ANGLE PROJECTION		
		4 PLACES ± --- ± --- 3 PLACES ± --- ± --- 2 PLACES ± --- ± --- 1 PLACE ± --- ± --- 0 PLACE ± --- ± ---		DRAWN BY YAMAKI	DATE 2015/03/25	TITLE 2.0MM PITCH W/B CONN. INTERFACE DRAWING			
		ANGULAR ± - °		CHECKED BY HKOMATSU	DATE 2015/07/24	molex DOCUMENT NO. SD-502352-003-JP			
DRAFT WHERE APPLICABLE MUST REMAIN WITHIN DIMENSIONS		APPROVED BY MAYAMAMOTO	DATE 2015/07/24	SHEET NO. 1 OF 2					
REV 0	DESCRIPTION	SIZE A3		THIS DRAWING CONTAINS INFORMATION THAT IS PROPRIETARY TO MOLEX INCORPORATED AND SHOULD NOT BE USED WITHOUT WRITTEN PERMISSION					

9 8 7 6 5 4 3 2 1

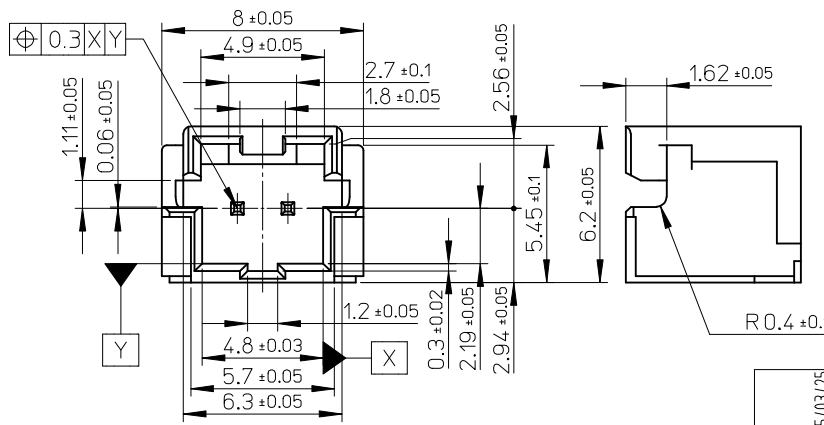
	10	9	8	7	6	5	4	3	2	1
F	15									
	14									
	13									
	12									
	11									
	10	560123								
	9		505151							
	8	560123		502351						
	7									
	6	560123								
	5									
E	4									
	3	560123								
	2									
CKTS		ISL Receptacle	TPA Receptacle	Standard Receptacle						
		Mate With Series								



3極
3CKT

4極
4CKT

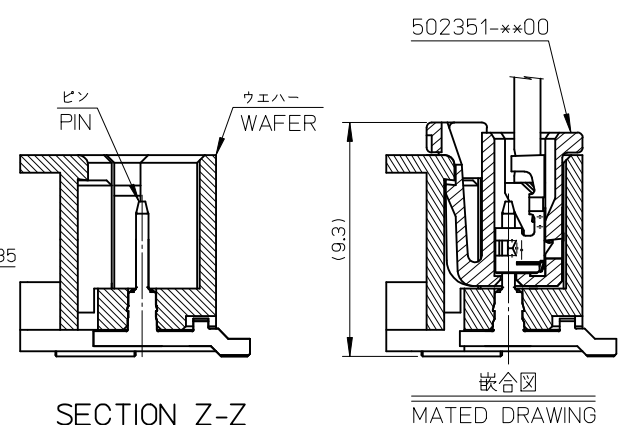
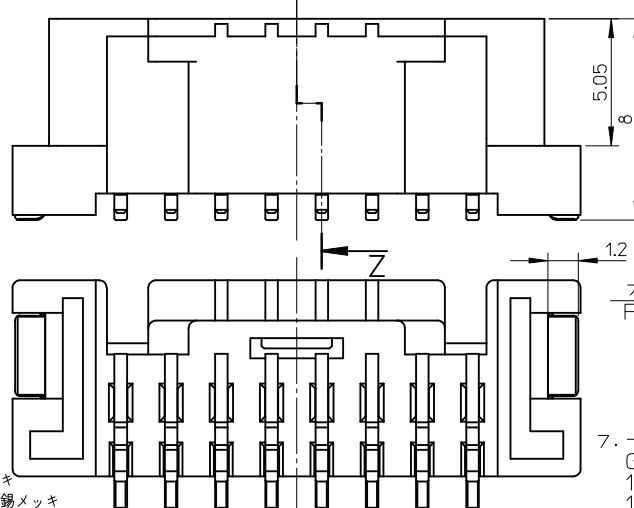
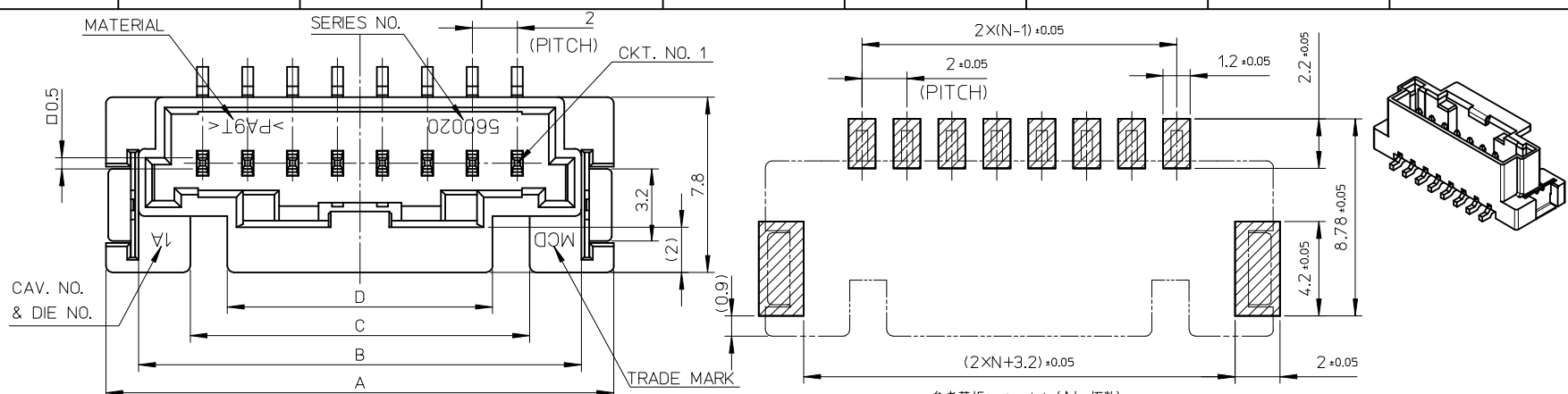
5極
5CKT



2極
2CKT

RECOMMENDED DIMENSIONS FOR CONNECTOR INTERFACE

RELEASED EC NO: JTR2016-0011 DRWN: YAMAKI 2015/03/25 CHKD: KOMATSU 2015/07/24 APPR: MAYAMAMOTO 2015/07/24	QUALITY SYMBOLS $F_{30} = 0$ $F_{60} = 0$ $F_{90} = 0$	GENERAL TOLERANCES (UNLESS SPECIFIED)		DIMENSION STYLE MM ONLY	SCALE 5:1	DESIGN UNITS METRIC	THIRD ANGLE PROJECTION
		mm	INCH	DRAWN BY YAMAKI	DATE 2015/03/25	TITLE 2.0MM PITCH W/B CONN. INTERFACE DRAWING	
REV 0	DESCRIPTION ---	DRAFT WHERE APPLICABLE MUST REMAIN WITHIN DIMENSIONS		CHECKED BY HKOMATSU	DATE 2015/07/24	DOCUMENT NO. SD-502352-003-JP	
		SIZE A3	THIS DRAWING CONTAINS INFORMATION THAT IS PROPRIETARY TO MOLEX INCORPORATED AND SHOULD NOT BE USED WITHOUT WRITTEN PERMISSION			SHEET NO. 2 OF 2	

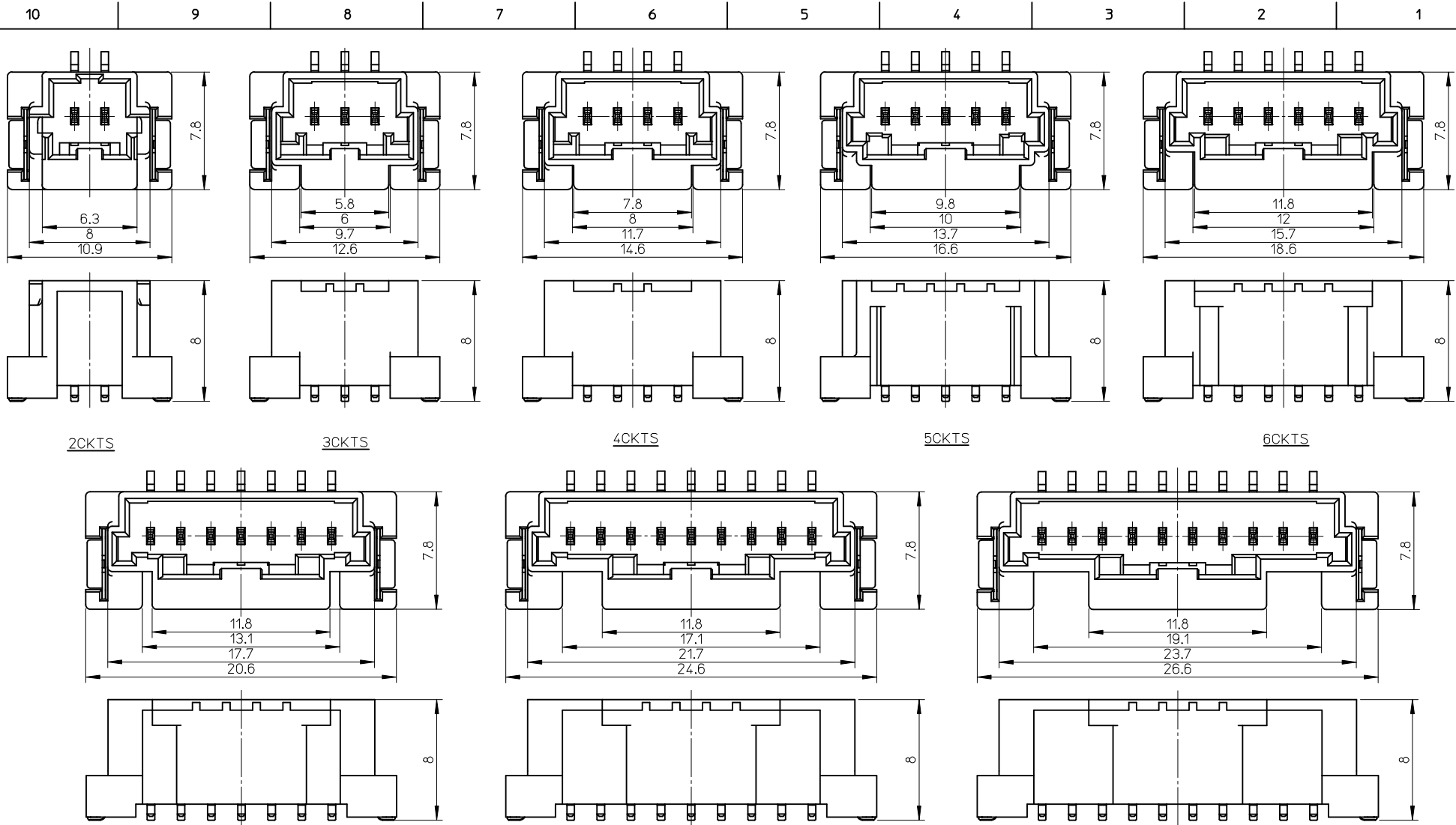


注記
NOTES

- 材質
ウエハー: 耐熱性ナイロン UL94V-0
ピン: 銅合金、ニッケル下地、錫メッキ、金メッキ
フィッティングネール: 銅合金、ニッケル下地、錫メッキ
MATERIAL
WAFER: POLYAMIDE UL94V-0
PIN: COPPER ALLOY, GOLD OR TIN OVER NICKEL PLATE.
FITTING NAIL: COPPER ALLOY, TIN OVER NICKEL PLATE.
- 色: ナチュラル
COLOR: NATURAL
- 嵌合相手:
ハウジング: 502351-xx00
錫メッキ端子: 50212-8*00, 50372-8*00, 560085-0101
金メッキ端子: 56161-8*81
MATES WITH
HOUSING: 502351-xx00
SN PLATING TERMINAL: 50212-8*00, 50372-8*00, 560085-0101
AU PLATING TERMINAL: 56161-8*81
- エンボス梱包品の詳細はSD-560020-002参照
DETAILED TAPING PACKAGE, SEE SD-560020-002
- ELV及びRoHS適合
ELV AND ROHS COMPLIANT
- 半田付け面のコプラナリティ: 0.1mm MAX.
CO-PLANARITY OF SOLDER TAILS TO BE 0.1mm MAX.

- 一般公差
GENERAL TOLERANCES
10 UNDER: 0.2
10 OVER 30 UNDER: 0.25
30 OVER: 0.3
ANGULAR ±1°

REVISED EC NO: JTR2015-0089 DRAWN: Y. TAKAKI 2014/12/25 CHKD: H. KOMATSU 2014/12/25 APPR: M. YAMAMOTO 2015/04/28	QUALITY SYMBOLS F/A=0 F/C=0 F/P=0	GENERAL TOLERANCES (UNLESS SPECIFIED)		DIMENSION STYLE MM ONLY	SCALE 5:1	DESIGN UNITS METRIC	THIRD ANGLE PROJECTION	
		4 PLACES ± --- ± ---	3 PLACES ± --- ± ---	DRAWN BY SHSHIBATA	DATE 2009/02/18	TITLE 2.0MM PITCH W/B CONN. WAFER ASSY ST. SMT		
		2 PLACES ± --- ± ---	1 PLACE ± --- ± ---	CHECKED BY HKOMATSU	DATE 2009/02/18			
		0 PLACE ± --- ± ---	ANGULAR ± - °	APPROVED BY AKANESHI G E	DATE 2009/02/18			
DRAFT WHERE APPLICABLE MUST REMAIN WITHIN DIMENSIONS		SIZE A3	THIS DRAWING CONTAINS INFORMATION THAT IS PROPRIETARY TO MOLEX INCORPORATED AND SHOULD NOT BE USED WITHOUT WRITTEN PERMISSION					



20KTS

30KTS

40KTS

50KTS

60KTS

70KTS

90KTS

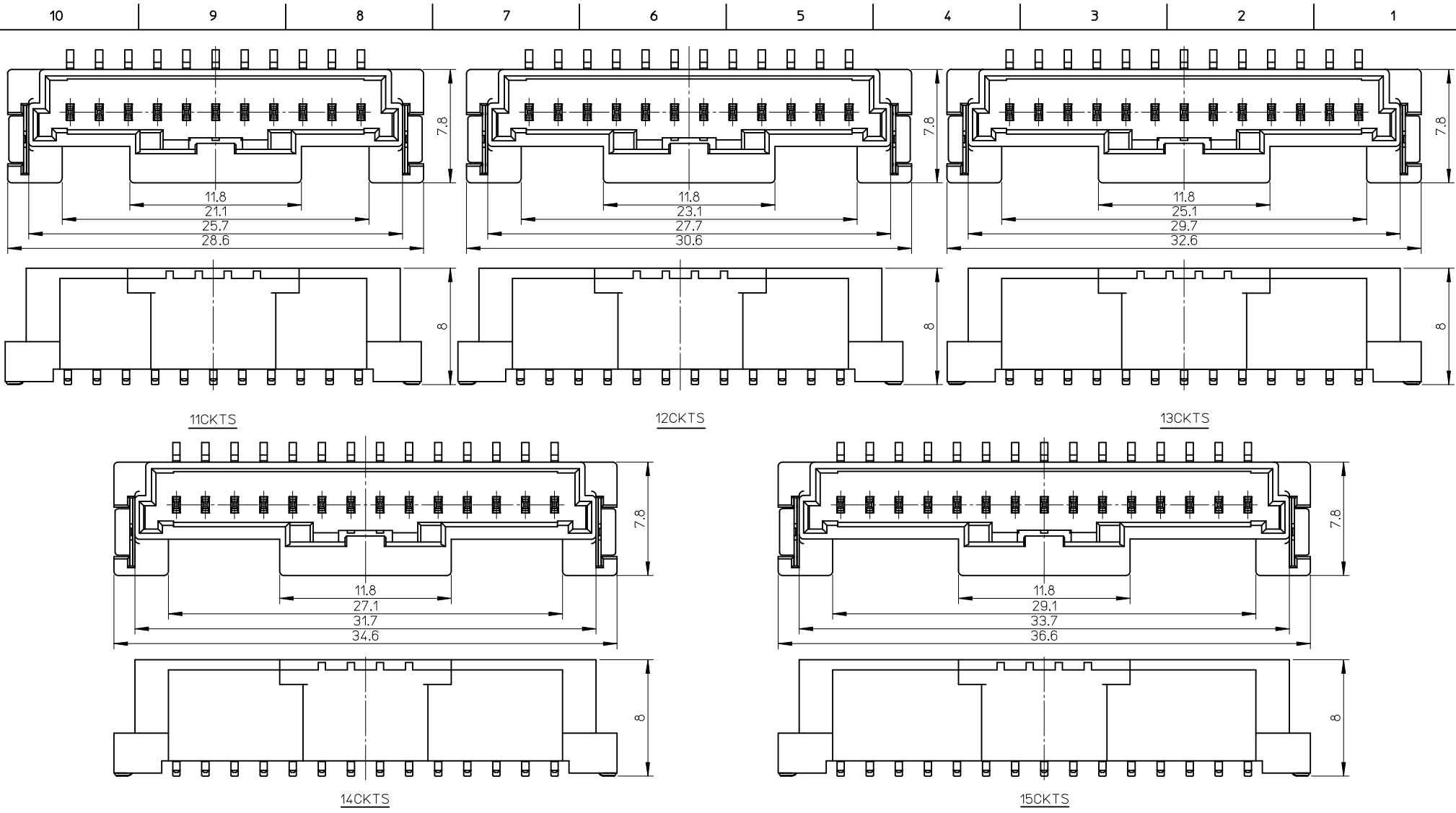
100KTS

REVISED EC NO: JTR2015-0089 TD: DRWN: Y. TAMAKI 2014/12/25 CHKD: H. KOMATSU 2014/12/25 APPR: M. YAMAMOTO 2015/04/28	QUALITY SYMBOLS $\nabla = 0$ $\nabla = 0$ $\nabla = 0$	GENERAL TOLERANCES (UNLESS SPECIFIED)		DIMENSION STYLE MM ONLY	SCALE 4:1	DESIGN UNITS METRIC	THIRD ANGLE PROJECTION		
		4 PLACES \pm --- \pm --- 3 PLACES \pm --- \pm --- 2 PLACES \pm --- \pm --- 1 PLACE \pm --- \pm --- 0 PLACE \pm --- \pm ---	mm INCH	DRAWN BY SHSHIBATA	DATE 2009/02/18	TITLE 2.0MM PITCH W/B CONN. WAFER ASSY ST. SMT			
		ANGULAR \pm - °		CHECKED BY HKOMATSU	DATE 2009/02/18	molex			
		DRAFT WHERE APPLICABLE MUST REMAIN WITHIN DIMENSIONS		APPROVED BY AKANESHIGE	DATE 2009/02/18	MATERIAL NO.	DOCUMENT NO. SD-560020-001	SHEET NO. 2 OF 4	

SEE CHART

SIZE A3

THIS DRAWING CONTAINS INFORMATION THAT IS PROPRIETARY TO MOLEX INCORPORATED AND SHOULD NOT BE USED WITHOUT WRITTEN PERMISSION



REVISED EC NO: JTR2015-0089 TD: DRWN: Y. TAKAKI 2014/12/25 CHKD: H. KOMATSU 2014/12/25 APPR: M. YAMAMOTO 2015/04/28	QUALITY SYMBOLS $\nabla \text{F} = 0$ $\nabla \text{G} = 0$ $\nabla \text{P} = 0$	GENERAL TOLERANCES (UNLESS SPECIFIED)		DIMENSION STYLE MM ONLY	SCALE 4:1	DESIGN UNITS METRIC	THIRD ANGLE PROJECTION																												
		<table border="1"> <thead> <tr> <th></th> <th>mm</th> <th>INCH</th> </tr> </thead> <tbody> <tr> <td>4 PLACES</td> <td>± ---</td> <td>± ---</td> </tr> <tr> <td>3 PLACES</td> <td>± ---</td> <td>± ---</td> </tr> <tr> <td>2 PLACES</td> <td>± ---</td> <td>± ---</td> </tr> <tr> <td>1 PLACE</td> <td>± ---</td> <td>± ---</td> </tr> <tr> <td>0 PLACE</td> <td>± ---</td> <td>± ---</td> </tr> </tbody> </table>		mm	INCH	4 PLACES	± ---	± ---	3 PLACES	± ---	± ---	2 PLACES	± ---	± ---	1 PLACE	± ---	± ---	0 PLACE	± ---	± ---	<table border="1"> <thead> <tr> <th>DRAWN BY</th> <th>DATE</th> <th>TITLE</th> </tr> </thead> <tbody> <tr> <td>SHSHIBATA</td> <td>2009/02/18</td> <td rowspan="4"> 2.0MM PITCH W/B CONN. WAFER ASSY ST. SMT molex </td> </tr> <tr> <td>CHECKED BY</td> <td>DATE</td> </tr> <tr> <td>APPROVED BY</td> <td>DATE</td> </tr> <tr> <td>AKANESHIGE</td> <td>2009/02/18</td> </tr> </tbody> </table>	DRAWN BY	DATE	TITLE	SHSHIBATA	2009/02/18	2.0MM PITCH W/B CONN. WAFER ASSY ST. SMT molex	CHECKED BY	DATE	APPROVED BY	DATE	AKANESHIGE	2009/02/18	DOCUMENT NO. SD-560020-001	SHEET NO. 3 OF 4
			mm	INCH																															
		4 PLACES	± ---	± ---																															
3 PLACES	± ---	± ---																																	
2 PLACES	± ---	± ---																																	
1 PLACE	± ---	± ---																																	
0 PLACE	± ---	± ---																																	
DRAWN BY	DATE	TITLE																																	
SHSHIBATA	2009/02/18	2.0MM PITCH W/B CONN. WAFER ASSY ST. SMT molex																																	
CHECKED BY	DATE																																		
APPROVED BY	DATE																																		
AKANESHIGE	2009/02/18																																		
DRAFT WHERE APPLICABLE MUST REMAIN WITHIN DIMENSIONS	ANGULAR ± - °	SEE CHART	THIS DRAWING CONTAINS INFORMATION THAT IS PROPRIETARY TO MOLEX INCORPORATED AND SHOULD NOT BE USED WITHOUT WRITTEN PERMISSION																																

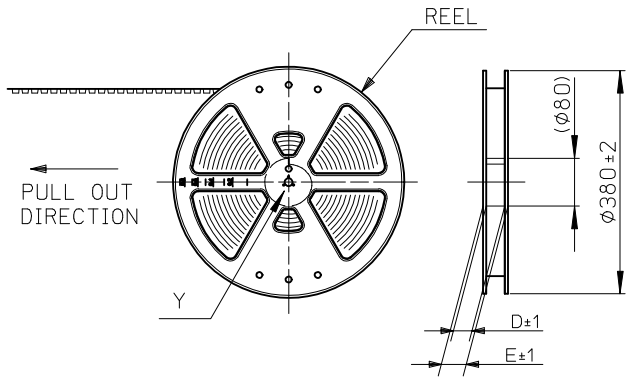
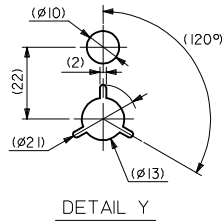
	10	9	8	7	6	5	4	3	2	1	
F	Sn	11.8	29.1	33.7	36.6	560020-1520	15				
		11.8	27.1	31.7	34.6	560020-1420	14				
		11.8	25.1	29.7	32.6	560020-1320	13				
		11.8	23.1	27.7	30.6	560020-1220	12				
		11.8	21.1	25.7	28.6	560020-1120	11				
		11.8	19.1	23.7	26.6	560020-1020	10				
		11.8	17.1	21.7	24.6	560020-0920	9				
		11.8	15.1	19.7	22.6	560020-0800/-0820	8				
		11.8	13.1	17.7	20.6	560020-0700/-0720	7				
		11.8	12	15.7	18.6	560020-0600/-0620	6				
		9.8	10	13.7	16.6	560020-0500/-0520	5				
		7.8	8	11.7	14.6	560020-0400/-0420	4				
5.8	6	9.7	12.6	560020-0300/-0320	3						
6.3	/	8.0	10.9	560020-0200/-0220	2						
PLATING	D	C	B	A	EMBOSSED PACKAGE ORDER NO.	CKTS					
CONNECTOR SERIES NO. 560020-**08											

	10	9	8	7	6	5	4	3	2	1	
F	Au	11.8	29.1	33.7	36.6	560020-1530	15				
		11.8	27.1	31.7	34.6	560020-1430	14				
		11.8	25.1	29.7	32.6	560020-1330	13				
		11.8	23.1	27.7	30.6	560020-1230	12				
		11.8	21.1	25.7	28.6	560020-1130	11				
		11.8	19.1	23.7	26.6	560020-1030	10				
		11.8	17.1	21.7	24.6	560020-0930	9				
		11.8	15.1	19.7	22.6	560020-0830	8				
		11.8	13.1	17.7	20.6	560020-0730	7				
		11.8	12	15.7	18.6	560020-0630	6				
		9.8	10	13.7	16.6	560020-0530	5				
		7.8	8	11.7	14.6	560020-0430	4				
5.8	6	9.7	12.6	560020-0330	3						
6.3	/	8.0	10.9	560020-0230	2						
PLATING	D	C	B	A	EMBOSSED PACKAGE ORDER NO.	CKTS					
CONNECTOR SERIES NO. 560020-**18											

D										
C										
B										
A										

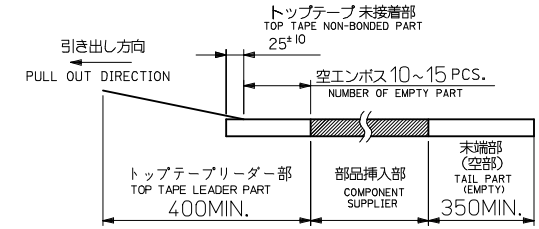
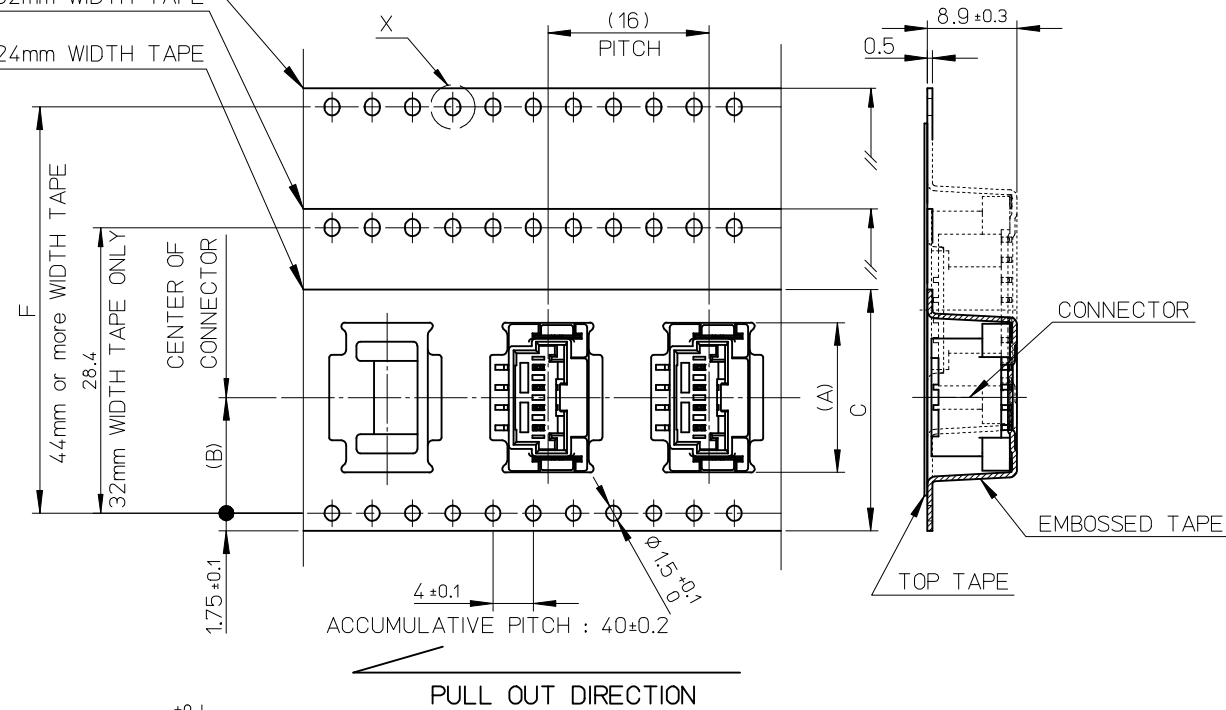
D										
C										
B										
A										

REVISED EC NO: JTR2015-0089 DRWN: Y. TAKAKI 2014/12/25 CHKD: H. KOMATSU 2014/12/25 APPR: M. YAMAMOTO 2015/04/28	QUALITY SYMBOLS	GENERAL TOLERANCES (UNLESS SPECIFIED)	DIMENSION STYLE	SCALE	DESIGN UNITS	THIRD ANGLE PROJECTION
	$\nabla = 0$	mm INCH	MM ONLY	5:1	METRIC	
	$\nabla = 0$	4 PLACES ± --- ± ---	DRAWN BY DATE	TITLE		
	$\nabla = 0$	3 PLACES ± --- ± ---	SHSHIBATA 2009/02/18	2.0MM PITCH W/B CONN. WAFER ASSY ST. SMT		
	2 PLACES ± --- ± ---	CHECKED BY DATE	DOCUMENT NO.			
	1 PLACE ± --- ± ---	HKOMATSU 2009/02/18	SD-560020-001			
	0 PLACE ± --- ± ---	APPROVED BY DATE	SHEET NO.			
	ANGULAR ± - °	AKANESHIGE 2009/02/18	4 OF 4			
	DRAFT WHERE APPLICABLE MUST REMAIN WITHIN DIMENSIONS	MATERIAL NO.	SEE CHART			
		SIZE	THIS DRAWING CONTAINS INFORMATION THAT IS PROPRIETARY TO MOLEX INCORPORATED AND SHOULD NOT BE USED WITHOUT WRITTEN PERMISSION			
		A3				

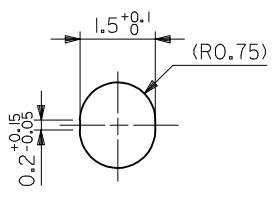


- NOTES
- 製品番号： 560020-**20, 560020-**30
詳細寸法については、製品単体図面を参照ください。
PART NO. 5600020-**20, 560020-**30
SEE SALES DRAWING FOR CONNECTOR
 - 梱包数量： 650個/REEL
NUMBER OF CONNECTORS 650 PCS/REEL
 - リードテープ長さ
LEAD TAPE LENGTH

44mm or more
WIDTH TAPE
32mm WIDTH TAPE
24mm WIDTH TAPE



- 材料
MATERIAL
キャリアテープ： ポリスチレン
CARRIER TAPE: POLYSTYRENE
トップテープ： PET, PE, PEF
TOP TAPE
リール： ポリスチレン
REEL: POLYSTYRENE
- 一般公差
GENERAL TOLERANCES
10 UNDER: 0.2
10 OVER 30 UNDER: 0.25
30 OVER: 0.3
ANGULAR: ±1°



DETAIL X
(SCALE 10:1)

REVISED	EC NO: JTR2015-0089	QUALITY SYMBOLS	GENERAL TOLERANCES (UNLESS SPECIFIED)		DIMENSION STYLE	SCALE	DESIGN UNITS	THIRD ANGLE PROJECTION
	DRWN: Y. TAMAKI 2015/03/03		CH/KD: HKOMATSU 2015/03/03	mm	INCH	MM ONLY	2:1	
B	APPR: MAYAMAMOTO 2015/04/28	DESCRIPTION	4 PLACES	± --- ± ---	DRAWN BY	DATE	TITLE	2.0MM PITCH W/B ST. WAFER ASSY EMBOSSSED TAPE PACKAGE
	REV		3 PLACES	± --- ± ---	Y. TAMAKI	2014/05/23		
			2 PLACES	± --- ± ---	CHECKED BY	DATE	DOCUMENT NO.	SHEET NO.
			1 PLACE	± --- ± ---	APPROVED BY	DATE		
			0 PLACE	± --- ± ---	MAYAMAMOTO	2014/06/30		
			ANGULAR ± - °		MATERIAL NO.	SEE CHART		
			DRAFT WHERE APPLICABLE MUST REMAIN WITHIN DIMENSIONS		SIZE	THIS DRAWING CONTAINS INFORMATION THAT IS PROPRIETARY TO MOLEX INCORPORATED AND SHOULD NOT BE USED WITHOUT WRITTEN PERMISSION		
					A3			

	10					9					8					7					6					5					4					3					2					1													
F	Sn	52.4	61.4	57.4	56	26.2	36.9	560020-1520	15	Au	52.4	61.4	57.4	56	26.2	36.9	560020-1530	15	PLATING	F	E	D	C	(B)	(A)	エンボス梱包品 製品番号 MATERIAL NO.	CIRCUITS	PLATING	F	E	D	C	(B)	(A)	エンボス梱包品 製品番号 MATERIAL NO.	CIRCUITS																							
		40.4	49.4	45.4	44	20.2	34.9	560020-1420	14		40.4	49.4	45.4	44	20.2	34.9	560020-1430	14		32.9	560020-1320	13	32.9	560020-1330	13	30.9	560020-1220		12	28.9	560020-1120	11	26.9	560020-1020	10	24.9	560020-0920	09	22.9	560020-0820	08	20.9	560020-0720	07	18.9	560020-0620	06	16.9	560020-0520	05	14.9	560020-0420	04	12.9	560020-0320	03	11.2	560020-0220	02
		28.4	37.4	33.4	32	14.2	18.9	560020-0620	06		28.4	37.4	33.4	32	14.2	18.9	560020-0630	06		16.9	560020-0530	05	14.9	560020-0430	04	12.9	560020-0330		03	11.2	560020-0230	02																											
		/	29.4	25.4	24	11.5	14.9	560020-0420	04		/	29.4	25.4	24	11.5	14.9	560020-0430	04		12.9	560020-0330	03	11.2	560020-0230	02																																		
							12.9	560020-0320	03							12.9	560020-0330	03																																									
							20.9	560020-0720	07							20.9	560020-0730	07																																									
							22.9	560020-0820	08							22.9	560020-0830	08																																									
							24.9	560020-0920	09							24.9	560020-0930	09																																									
							26.9	560020-1020	10							26.9	560020-1030	10																																									
							28.9	560020-1120	11							28.9	560020-1130	11																																									

REVISED EC NO: JTR2015-0089 DRWN:YTAMAKI 2015/03/03 CHKD:HKOMATSU 2015/03/03 APPR:MAYAMAMOTO 2015/04/28	QUALITY SYMBOLS	GENERAL TOLERANCES (UNLESS SPECIFIED)		DIMENSION STYLE MM ONLY		SCALE 2:1	DESIGN UNITS METRIC	THIRD ANGLE PROJECTION		
	$\nabla = 0$ $\nabla = 0$ $\nabla = 0$	4 PLACES	mm	INCH	DRAWN BY YTAMAKI	DATE 2014/05/23	TITLE 2.0MM PITCH W/B ST. WAFER ASSY EMBOSSED TAPE PACKAGE			
		3 PLACES	±---	±---	CHECKED BY HKOMATSU	DATE 2014/05/23				
		2 PLACES	±---	±---	APPROVED BY MAYAMAMOTO	DATE 2014/06/30	molex DOCUMENT NO. SD-560020-003 SHEET NO. 2 OF 2			
1 PLACE		±---	±---	MATERIAL NO. SEE CHART						
0 PLACE	±---	±---	ANGULAR ± - °		THIS DRAWING CONTAINS INFORMATION THAT IS PROPRIETARY TO MOLEX INCORPORATED AND SHOULD NOT BE USED WITHOUT WRITTEN PERMISSION					
DRAFT WHERE APPLICABLE MUST REMAIN WITHIN DIMENSIONS										