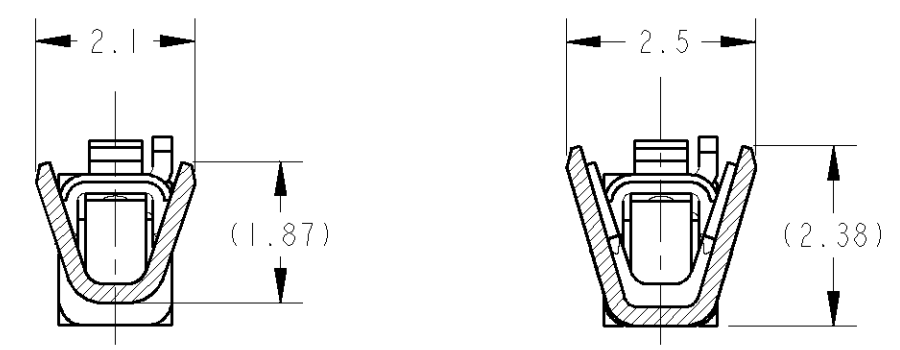
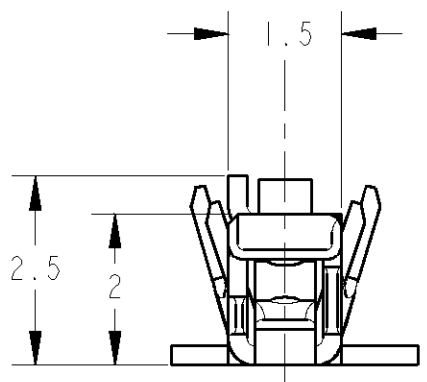
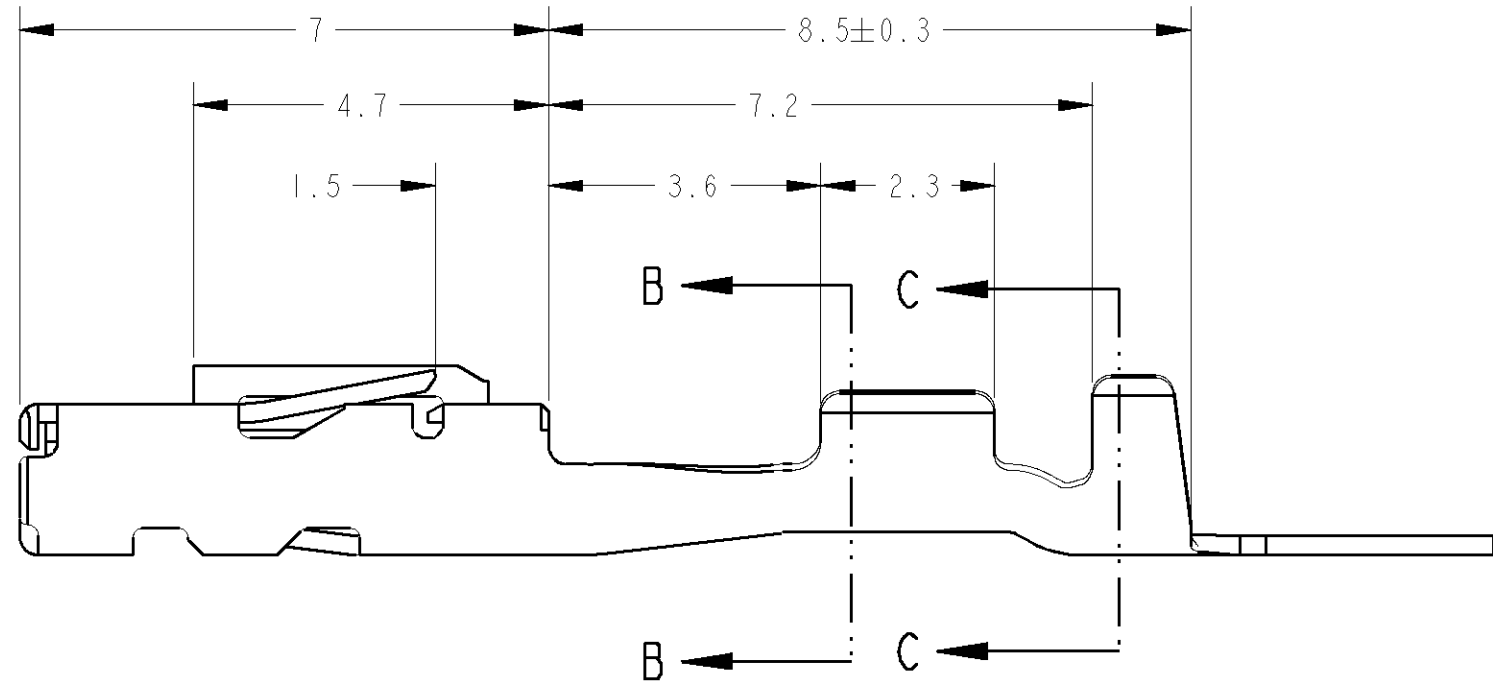
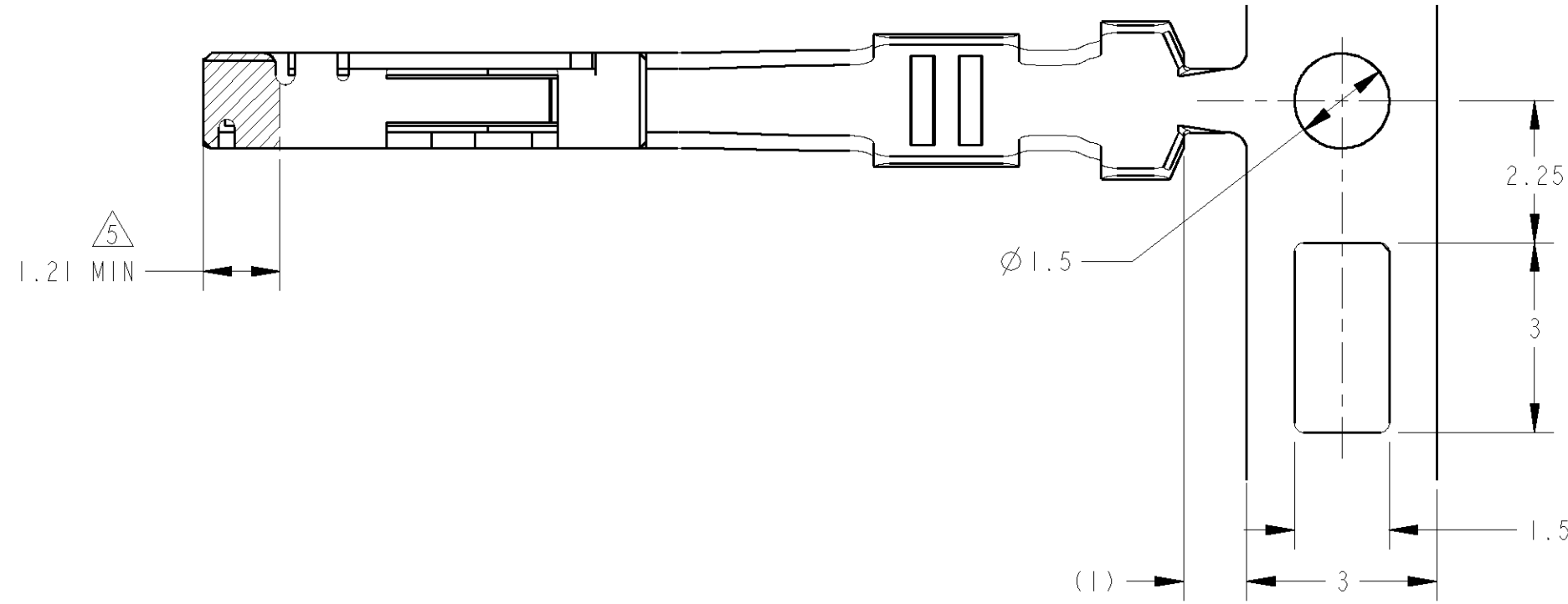
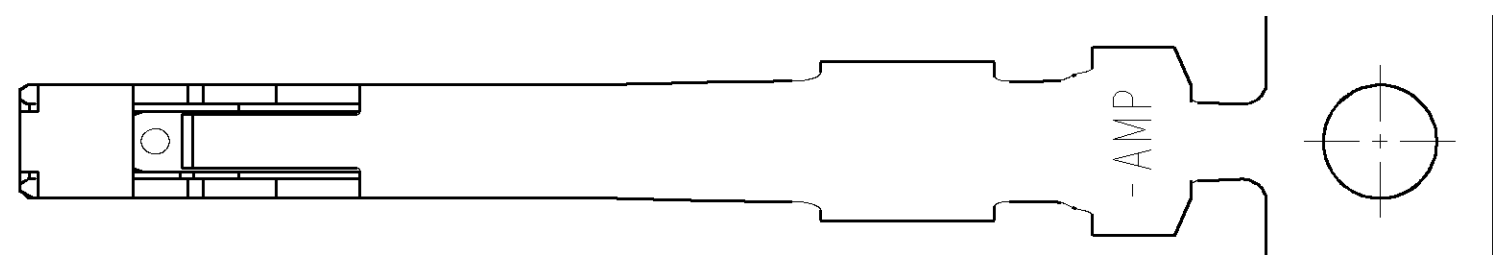


THIS DRAWING IS UNPUBLISHED. RELEASED FOR PUBLICATION JUN, 2011
 © COPYRIGHT 2011 Tyco Electronics Japan G.K. ALL RIGHTS RESERVED.

LOC		RIST		REVISIONS				
J		X		REV	DESCRIPTION	DATE	DWN	APVD
P	LTR			P	REVISED PER ECO-11-005140	02APR2011	RK	HMR
PI				PI	REVISED ECR-11-007131	14JUN11	RK	HY



1. 通用電線:
AVSS, AVSSH-f 0.3-0.5mm²
CAVS, CAVUS 0.22-0.5mm²
 2. 取付適用規格; 114-5250
 3. アプリケータ送りピッチ; 7.5mm
 4. パラ端子型番;
PRE-TIN; 1318143-1
SELECTIVE GOLD; 1318143-2
- △ 識別用金めっき範囲を示す。
1. APPLICABLE WIRE RANGE ;
AVSS, AVSSH-f 0.3-0.5mm²
CAVS, CAVUS 0.22-0.5mm²
 2. APPLICATION SPEC ; 114-5250
 3. APPLICATOR FEED; 7.5mm.
 4. P/N OF LOOSE PIECE;
PRE-TIN; 1318143-1
SELECTIVE GOLD; 1318143-2
- △ GOLD PLATED AREA FOR DISCRIMINATION.



OBSOLETE

SEE DRAWING 1123343-7	1123343-7
—//—	1123343-5
△ SELECTIVE GOLD	1123343-2
PRE-TIN	1123343-1
FINISH	PART NO.

WIRE RANGE 結合電線断面積	0.22-0.56mm ²	INSULATION DIA 絶縁外径	Ø0.95-1.7
-----------------------	--------------------------	------------------------	-----------

THIS DRAWING IS A CONTROLLED DOCUMENT.		DWN H. YAMAGAMI	25 JAN 99
DIMENSIONS: 単位: 概 mm		CHK T. KOUNO	25 JAN 99
TOLERANCES UNLESS OTHERWISE SPECIFIED: 一般公差 = ± 0.2		APVD N. SAI	25 JAN 99
0-PLC ±		PRODUCT SPEC	
1-PLC ±0.1		APPLICATION SPEC	
2-PLC ±0.15		取付適用規格	
3-PLC ±0.001		114-5250	
4-PLC ±0.0001		WEIGHT	
ANGLES ±3°00'		0.2g	
MATERIAL 材料	COPPER ALLOY	SEE TABLE	

		TE Connectivity	
025 RECEPTACLE CONTACT			
SIZE	CAGE CODE	DRAWING NO	RESTRICTED TO
A2	00779	C-1123343	X
SCALE	10:1	SHEET	OF
			REV P1