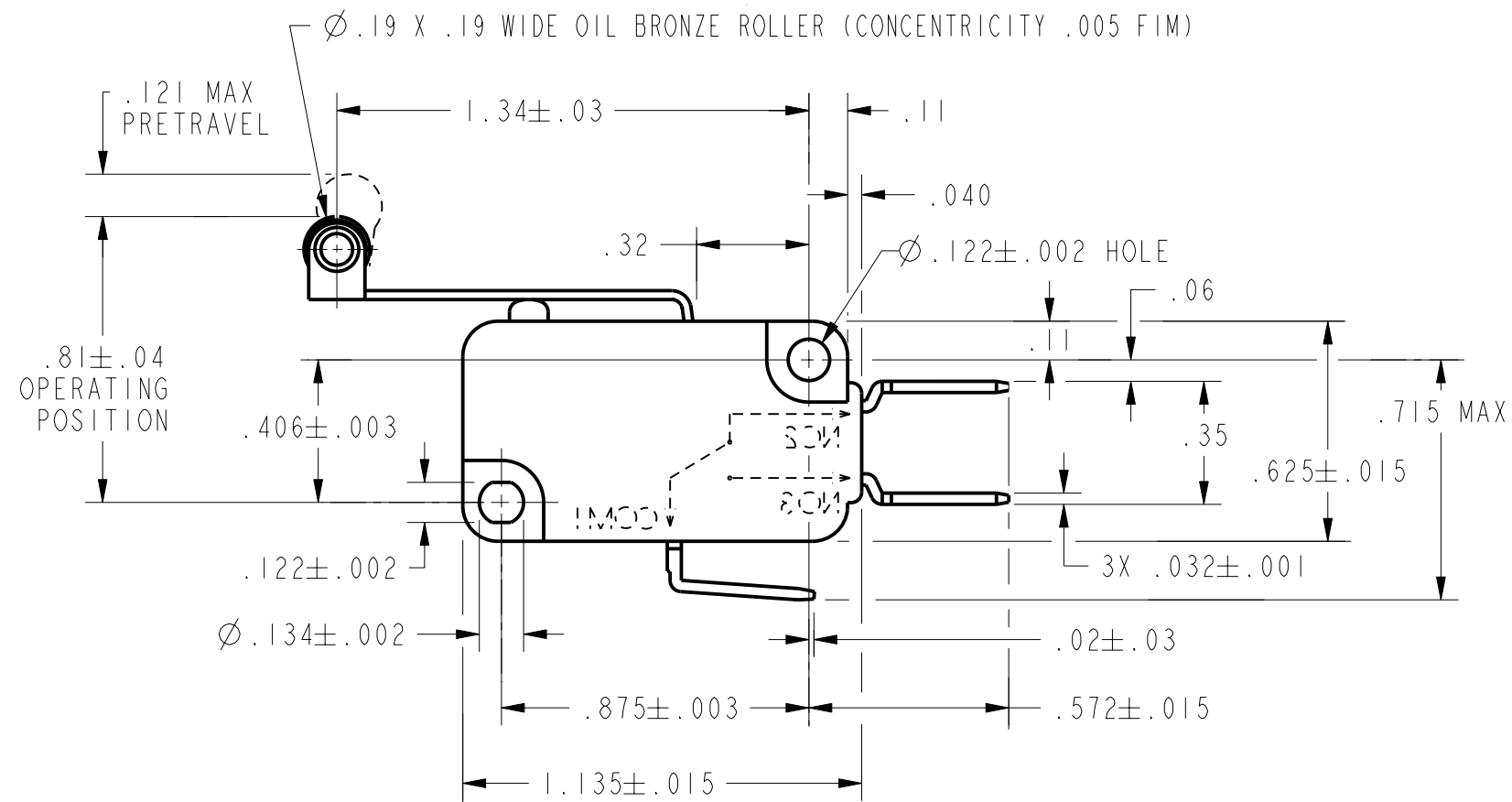
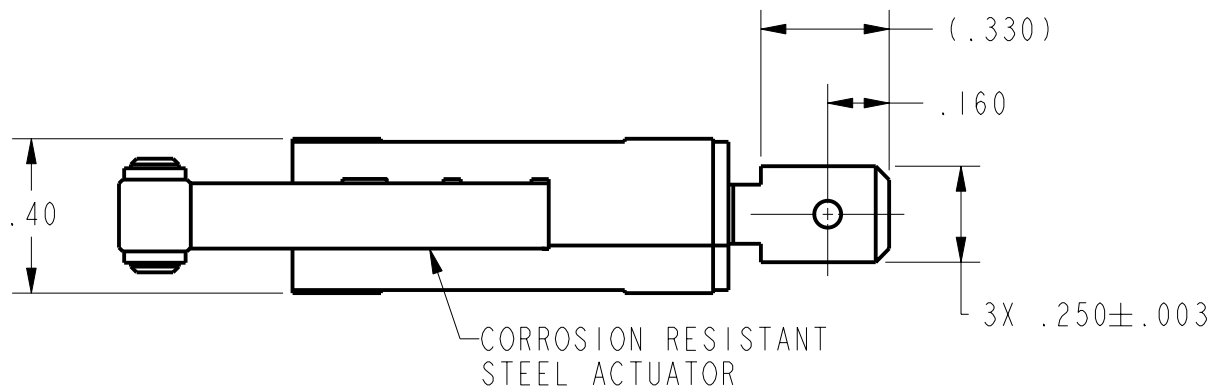


CW-B4143

REV	DOCUMENT	CHANGED BY	CHECK
4	202161	DCS 17JAN01	SAV
5	207382	TSM 12FEB03	SAV



CHARACTERISTICS	
OPERATING FORCE-----	86 GRAMS MAX
RELEASE FORCE -----	9 GRAMS MIN
DIFFERENTIAL TRAVEL-----	.027 MAX
OVERTRAVEL-----	.068 MIN
RELEASE TRAVEL-----	.016 MIN

ELECTRICAL DATA	
CONTACT ARRANGEMENT S P D T	
L156 11A 1/3HP 125, 250 OR 277 VAC 1/2A 125 VDC, 1/4A 250 VDC 4A 125 VAC "L"	

UNLESS OTHERWISE SPECIFIED TOLERANCES ARE:			
	<input checked="" type="checkbox"/> US (inch) CUSTOMARY	<input type="checkbox"/> SI (mm) METRIC	
NO PLACE	X	±.040	±1
ONE PLACE	.X	±.030	±0,4
TWO PLACE	.XX	±.015	±0,15
THREE PLACE	.XXX	±.005	±
ANGLES		±	±
RAW MATERIAL-COMMERCIAL STANDARD			
THIRD ANGLE PROJECTION			

DRAWN	DCS	17JAN01
CHECK	SAV	17JAN01
THIS DRAWING COVERS A PROPRIETARY ITEM AND IS THE PROPERTY OF HONEYWELL. THIS DRAWING IS NOT TO BE COPIED OR USED WITHOUT THE PERMISSION OF HONEYWELL.		
DIMENSIONS ARE TO BE MET BEFORE PROTECTIVE COATINGS ARE APPLIED		
PTC 2D	ASME Y14.5M-1994	

Honeywell			
TITLE SWITCH BASIC			
SIZE	DWG TYPE	DRAWING NAME	REV
B	I	V7-1B10E9-207	5
SCALE	2:1	WEIGHT	SHEET 1 OF 1