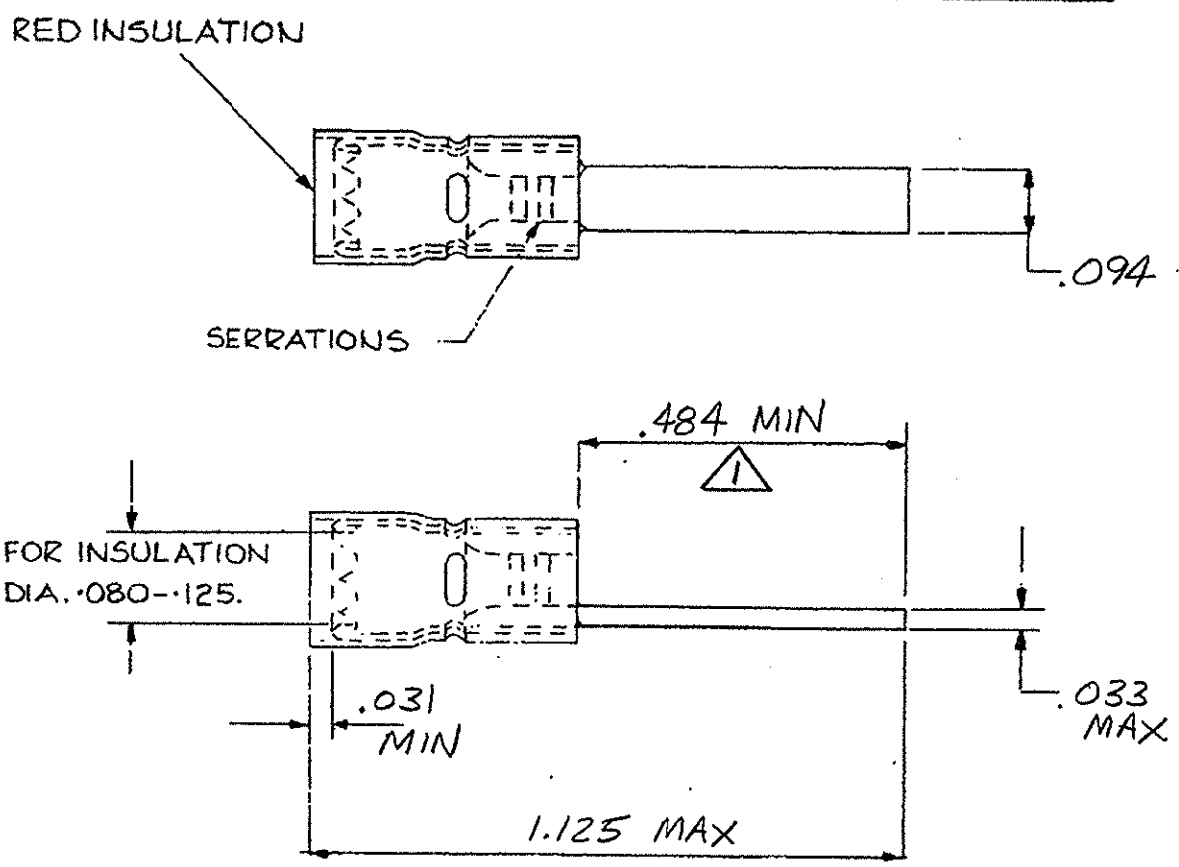


NUMBER 150730

© AIRCRAFT-MARINE PRODUCTS (G.B.) LTD. 1963

⚠ FROM EDGE OF METAL WIRE BBL TO END OF TONGUE

CUSTOMER COPY
FOR REF ONLY



DIMENSIONS IN INCHES DO NOT SCALE PRINT

PRINT DIST	MATERIAL COPPER		HEAT TREAT ANNEALED		COATING OR PLATING ELECTRO-TIN	
	UNLESS OTHERWISE SPECIFIED FRACTIONS = 1/64 DECIMALS 000 = ± .005-.008					
	SPECIFIED ANGLES. ± 0° 30' 0000 = ± .0005					
	FIRST USED	WIRE RANGE 22-16	CLASS TAB	TYPE P.I.D.G.	SCALE 2/1	
P.P.P.	AREA	AMP		AIRCRAFT-MARINE PRODUCTS (GREAT BRITAIN) LTD LONDON, E.C.1.		
DR B.A. SMITH	CHK <i>[Signature]</i>	LC A	NO C.150730	REV A		
APP 5.6.63	REL	NAME WIRE TERMINAL				
LTR	REVISION RECORD	ECA	DATE			