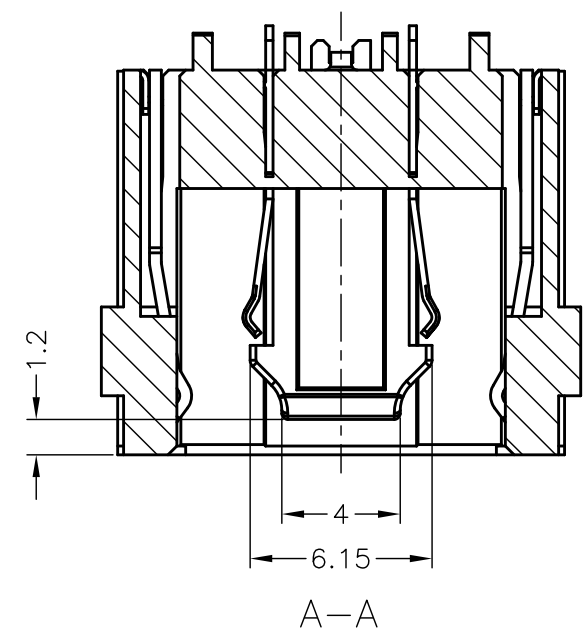
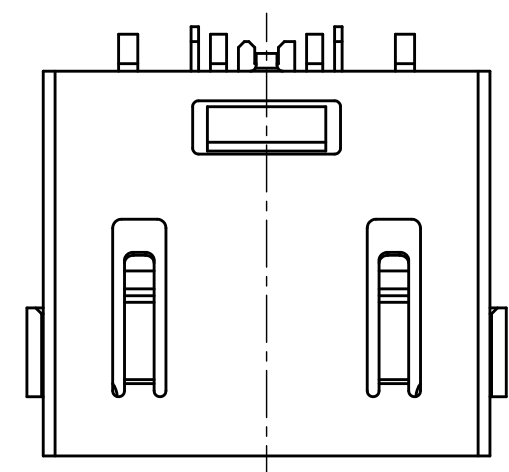
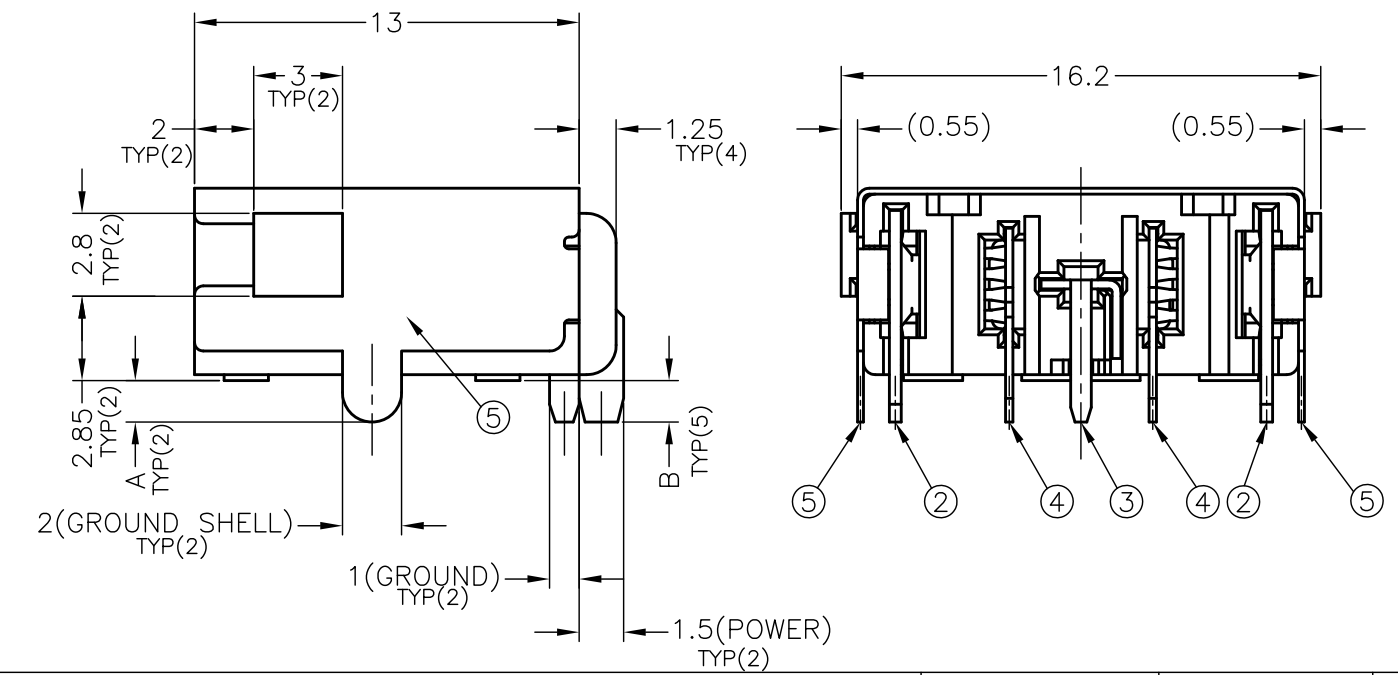
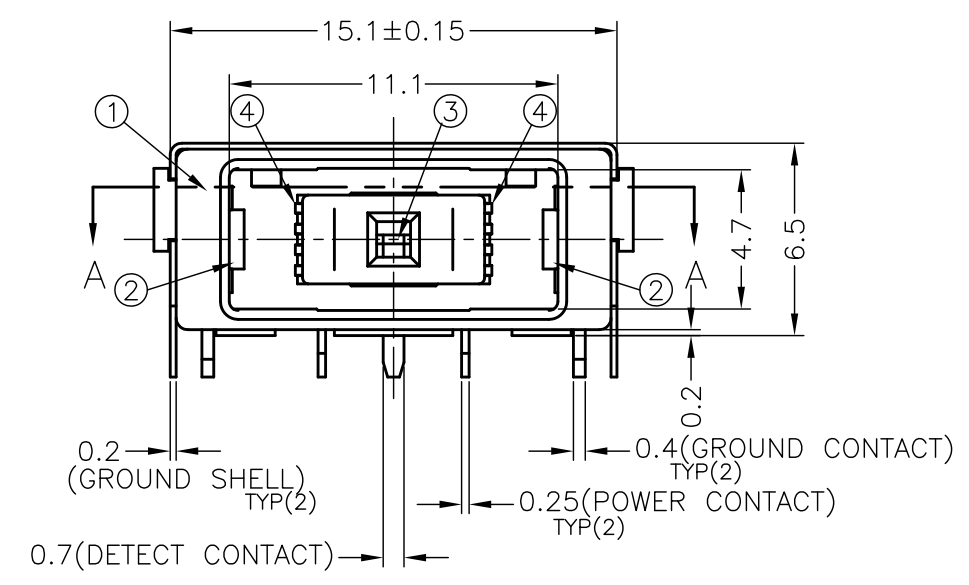


THIS DRAWING IS UNPUBLISHED. RELEASED FOR PUBLICATION - ,4:1 .
 © COPYRIGHT - By - ALL RIGHTS RESERVED.

LOC	DIST	REVISIONS			
P	LTR	DESCRIPTION	DATE	DWN	APVD
DW	/	B1	REVISED (ECR-13-009702)	7MAY13	S.H V.P

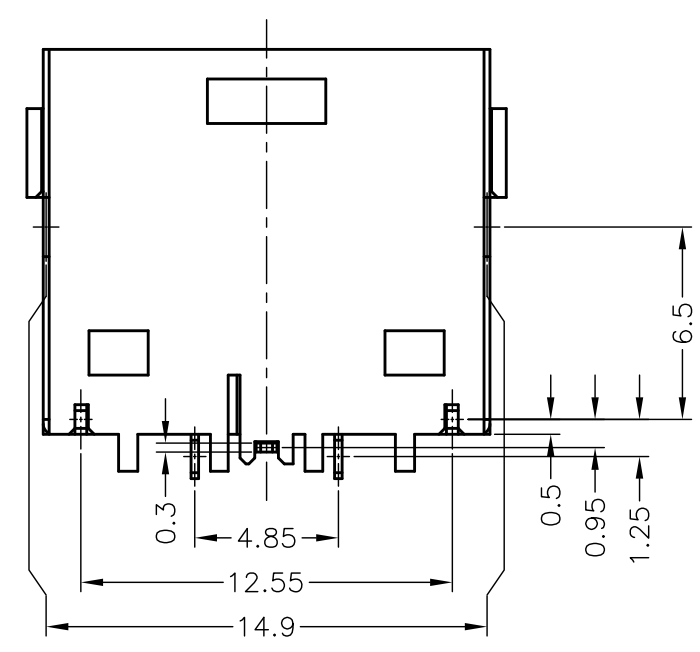


- EU ROHS-RELATED RESTRICTED SUBSTANCE SPEC IN HOMOGENEOUS MATERIAL REFER TO TEC-138-702 REV.G:
 LEAD < 1000PPM, CADMIUM < 100PPM, MERCURY < 1000PPM
 CHROMIUM VI < 1000PPM, PBB <1000PPM, PBDE < 1000PPM
- HALOGEN FREE SPEC:
 CHLORINE (Cl): 900 ppm MAX.
 BROMINE (Br): 900 ppm MAX.
 CHLORINE (Cl) + BROMINE (Br): 1500 ppm MAX.



A'SSY P/N				
	1-2129458-2	1-2129458-1	2129458-2	2129458-1
DIM B	1.2	1.4	1.2	1.4
DIM A	1.2	1.4	1.2	1.4
Q'TY	1	1	2	2

Q'TY	FINISH/COLOR	MATERIAL	PART NAME	NO.
1	0.002mm MATTE TIN PLATING ON SOLDER AREA, 0.00127mm MIN. NICKEL UNDERPLATED ALL OVER	COPPER ALLOY	GROUND SHELL	⑤
2	0.0002mm GOLD PLATING ON CONTACT AREA, 0.002mm MATTE TIN PLATING ON SOLDER AREA, 0.002mm MIN. NICKEL UNDERPLATED ALL OVER	COPPER ALLOY	POWER CONTACT	④
1	0.0002mm GOLD PLATING ON CONTACT AREA, 0.002mm MATTE TIN PLATING ON SOLDER AREA, 0.002mm MIN. NICKEL UNDERPLATED ALL OVER	COPPER ALLOY	DETECT CONTACT	③
2	0.0002mm GOLD PLATING ON CONTACT AREA, 0.002mm MATTE TIN PLATING ON SOLDER AREA, 0.002mm MIN. NICKEL UNDERPLATED ALL OVER	COPPER ALLOY	GROUND CONTACT	②
1	BLACK	HIGH TEMPERATURE THERMO-PLASTIC (UL94V-0)	HOUSING	①



THIS DRAWING IS A CONTROLLED DOCUMENT.

DIMENSIONS: mm	TOLERANCES UNLESS OTHERWISE SPECIFIED:	DWN S.HUANG 20JUN2012	TE Connectivity
	0 PLC ± 1 PLC ± 2 PLC ± ±0.25 3 PLC ± ±3 4 PLC ± ANGLES ±	CHK V.PENG 20JUN2012 APVD W.KODAMA 20JUN2012	
MATERIAL SEE TABLE	FINISH	PRODUCT SPEC 108-99040 APPLICATION SPEC 501-99041 WEIGHT 1.94g	NAME DC POWER JACK CONNECTOR DIP TYPE (10.7A)
		CUSTOMER DRAWING SIZE A3 CAGE CODE 00779 DRAWING NO. 2129458 RESTRICTED TO	SCALE 4:1 SHEET 1 OF 3 REV B1

THIS DRAWING IS UNPUBLISHED.

RELEASED FOR PUBLICATION

ALL RIGHTS RESERVED.

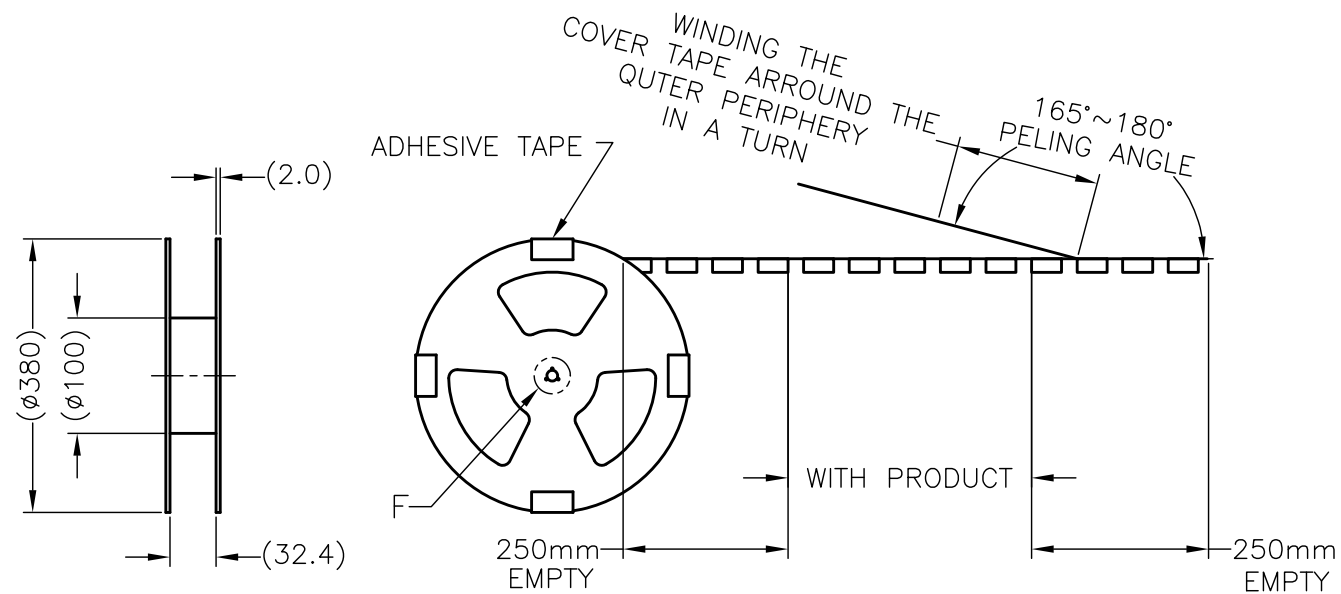
© COPYRIGHT - By -

LOC DW

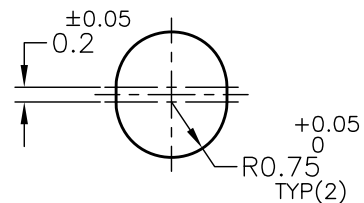
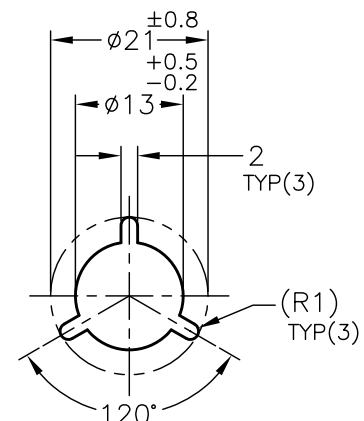
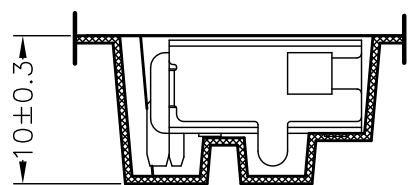
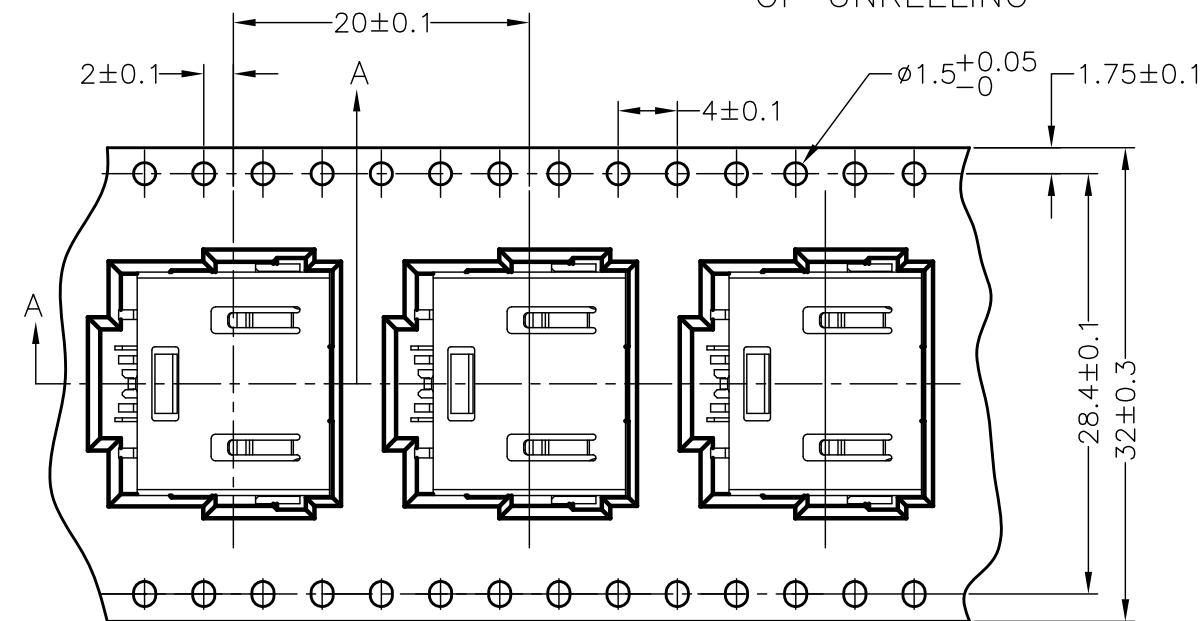
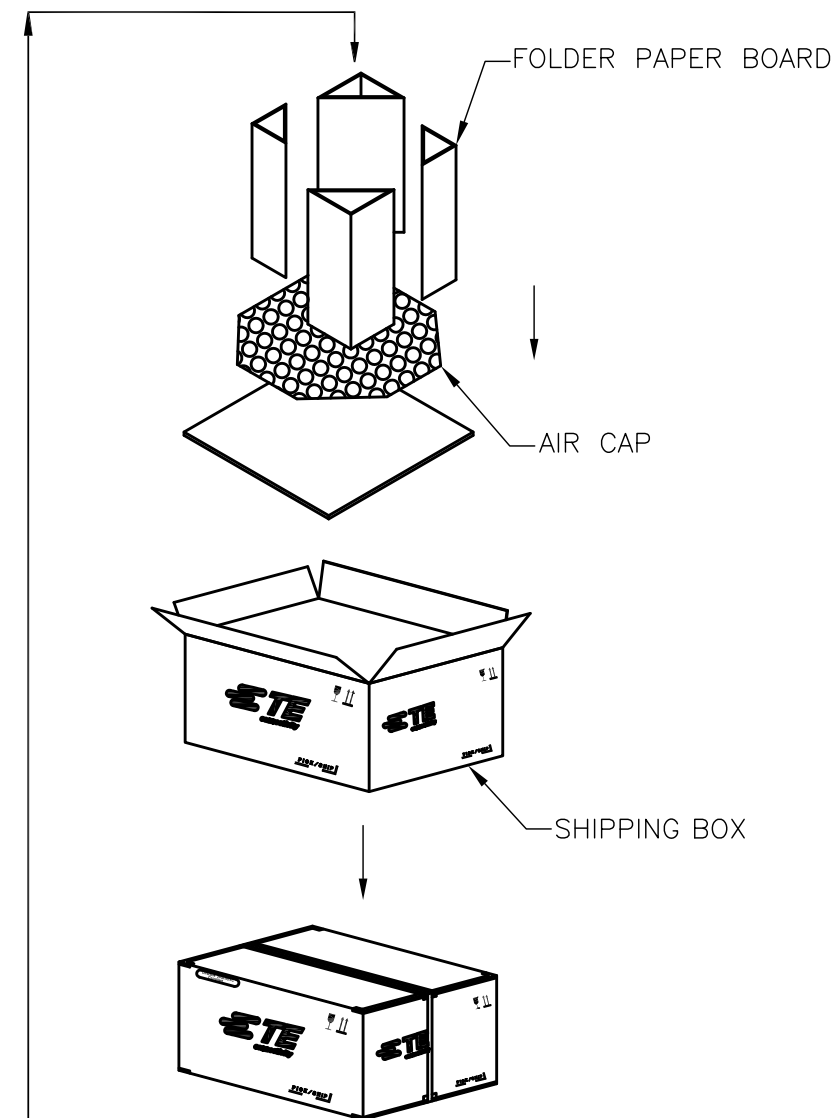
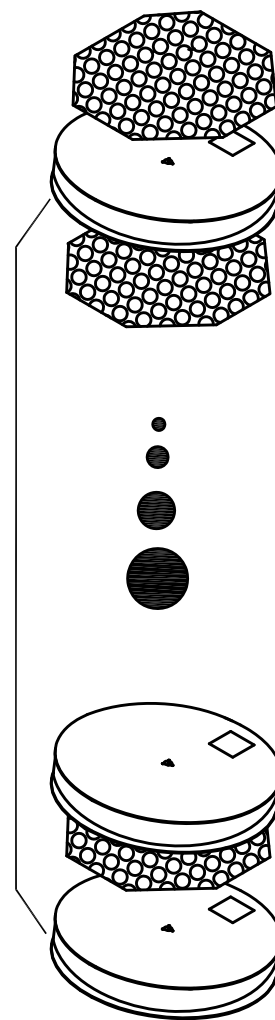
DIST

REVISIONS

P	LTR	DESCRIPTION	DATE	DWN	APVD
-	-	SEE SHEET 1	-	-	-



4. SHIPPING BOX DIMENSION: 445mmX445mmX270mm



450	5	2250
PCS/REEL	REEL/SHIPPING BOX	TOTAL Q'TY

THIS DRAWING IS A CONTROLLED DOCUMENT.		DWN	-
DIMENSIONS: mm		CHK	-
TOLERANCES UNLESS OTHERWISE SPECIFIED:		APVD	-
<ul style="list-style-type: none"> 0-PLC ± - 1-PLC ± - 2-PLC ± - ±0.25 3-PLC ± - ±3° 4-PLC ± - ANGLES ± - 		PRODUCT SPEC	-
MATERIAL	FINISH	APPLICATION SPEC	-
		WEIGHT	-
		CUSTOMER DRAWING	-

STE TE Connectivity			
NAME DC POWER JACK CONNECTOR DIP TYPE (10.7A)			
SIZE	CAGE CODE	DRAWING NO	RESTRICTED TO
A3	00779	C-2129458	-
SCALE NA		SHEET 3 of 3	REV B1