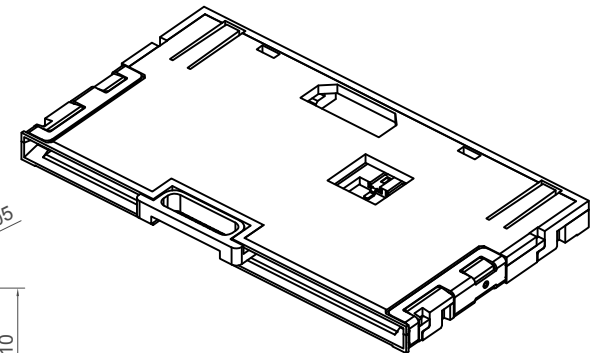


**Recommended PCB Layout**

Viewed from component side, General Tol: ±0.05

▨ Solder Area   ▩ Keep Out Area   □ Component Outline



**Specifications 规格**

**Material 物料**

Plastic Housing 塑胶外壳: Hi-Temp Thermoplastic UL94V-0, Black

Housing Clip: Stainless Steel

Contact Terminal 接触端子: Copper Alloy

Switch Contacts 开关端子: Copper Alloy

**Plating 电镀**

Under-plating 底层电镀: 30µ" min. Nickel all over

Data Contact 数据接触:

Contact Area 接触区: 3µ" Gold

Solder Area 焊接区: 100µ" min. Tin

Switch Contacts 开关接触:

Contact Area 接触区: 3µ" Gold

Solder Area 焊接区: 100µ" min. Tin

**Electrical 电气**

Voltage rating 电压额定值: 30V max.

Current Rating 电流额定值: 1 Amp

Contact Resistance 接触电阻值: 100 mΩ max.

Insulation Resistance 绝缘电阻值: 1000 MΩ min.

Dielectric Withstand Voltage 耐电压: 500 V AC

**Mechanical & Environmental 机械 & 环境**

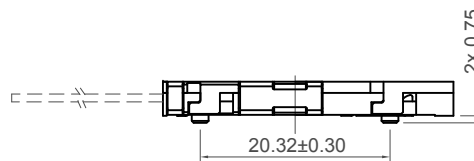
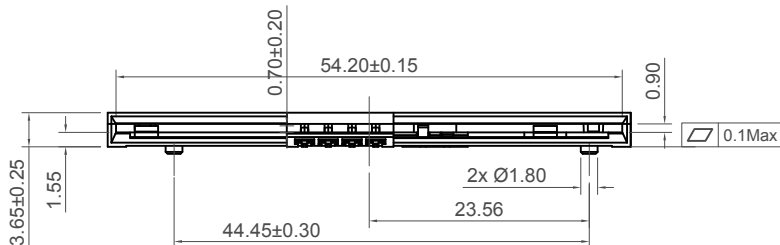
Solderability 可焊性:

IR Reflow 回流焊: 250°C for 5 sec. max.

Manual Solder 人工焊接: 370°C for 3 sec. max.

Operating Temperature 工作温度: -40°C to +85°C

Durability 耐久性: 100,000 cycles



**Ordering Grid**

SCC065 - F - 8 - 3 - U - B Request Samples and Quotation

**Contact Type**

F = Friction

**No. of Contacts**

8 = 8 Contacts

**Switch**

3 = Blade switch, normally open

**Packing**

B = Tray

(40pcs per tray)

**Shielding**

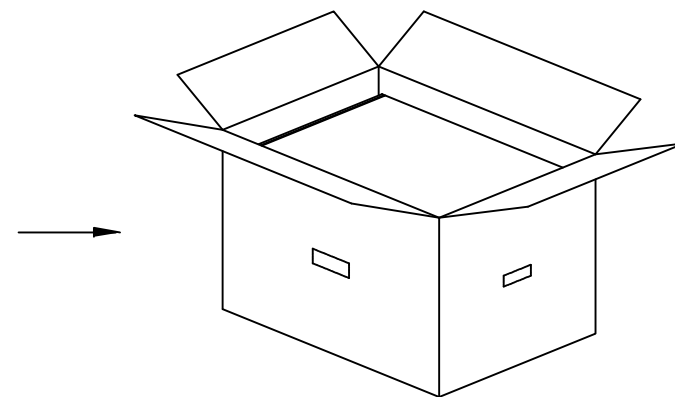
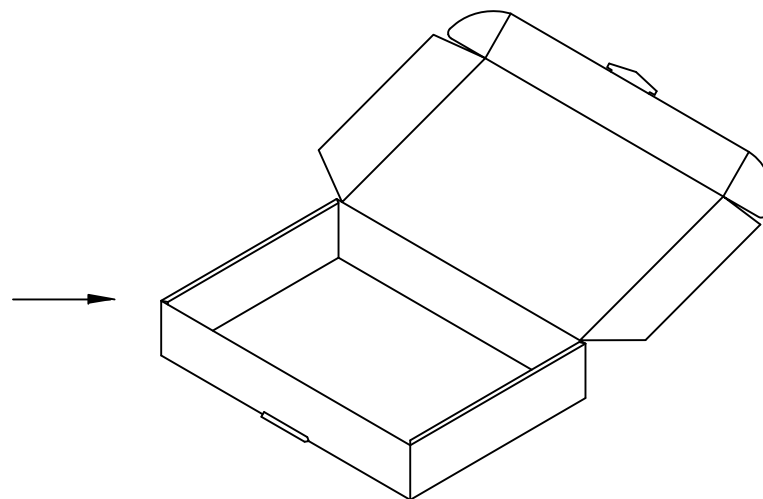
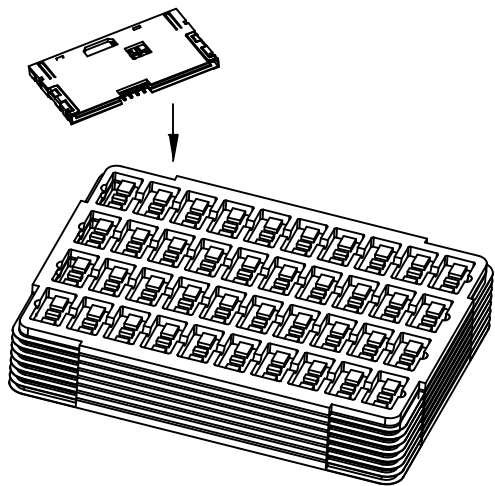
U = Unshielded

Part Number		Product Description		<b>GCT</b> Global Connector Technology
SCC065		Smart Card Connector - Friction Contact, 8 Contact, SMT, Standard Mount, with Normally Open Switch		
Drawing Date		29th June 2015		
By	AJO	Tolerances (Except as Noted)	Units:	<b>RoHS COMPLIANT 2011/65/EU</b> Deca-BDE
Detail	Drawing Release	Length X. ± 0.35 X.X ± 0.25 X.XX ± 0.15 X.XXX ± 0.10	Angle X.° ± 5° X.X° ± 4° X.XX° ± 3° X.XXX° ± 2°	
Revision	A	Metric (mm)		
Date	29/06/15	3rd Angle Projection		
		© This drawing is confidential and copyright of Global Connector Technology, Ltd (GCT). This drawing must not be copied or disclosed without written consent. E & OE		
		www.gct.co		Not to Scale
				Drawn By AJO
				Sheet No. 1/2

H  
G  
F  
E  
D  
C  
B  
A

1      2      3      4      5      6      7      8

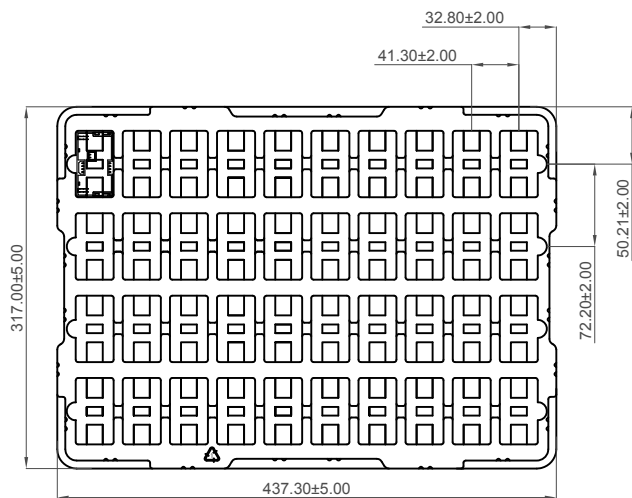
Part Number	Pcs/Tray	Trays/Carton	Cartons/Box	Pcs/Box
SCC065	40	10 (+1 empty)	5	2000




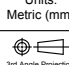
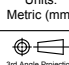


40pcs per tray  
Tray : 44.0cm L x 31.7cm W x 1.3cm H

400pcs per carton (10 trays set in order plus one empty tray)  
Carton: 46.0cm L x 32.0cm W x 8.8cm H  
Net Weight: 2.48kg      Gross Weight: 3.35kg

2000pcs per box (5 cartons set in order)  
Box: 48.0cm L x 34.6cm W x 46.0cm H  
Net Weight: 12.42kg      Gross Weight: 17.78kg



Part Number		Product Description		 		 This drawing is confidential and copyright of Global Connector Technology, Ltd (GCT). This drawing must not be copied or disclosed without written consent. E & OE	
SCC065		Smart Card Connector - Friction Contact, 8 Contact, SMT, Standard Mount, with Normally Open Switch					
Drawing Date		Tolerances (Except as Noted)				Not to Scale    Drawn By AJO    Sheet No. 2/2	
29th June 2015		Length    Angle					
By	AJO	Units:					
Detail	Drawing Release	Metric (mm)					
Revision	A						
Date	29/06/15						

**GCT**  
Global Connector Technology  
www.gct.co