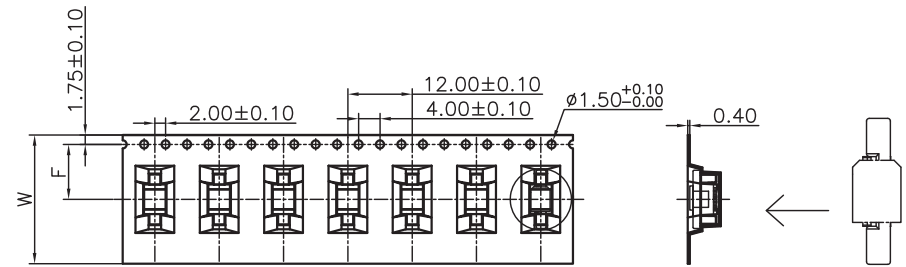
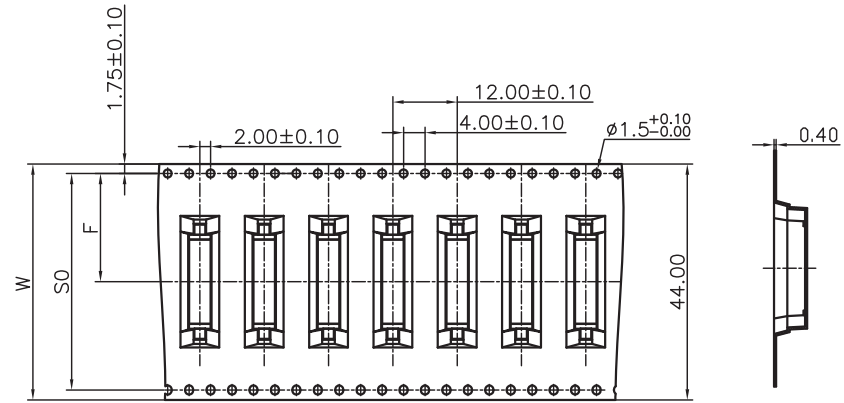
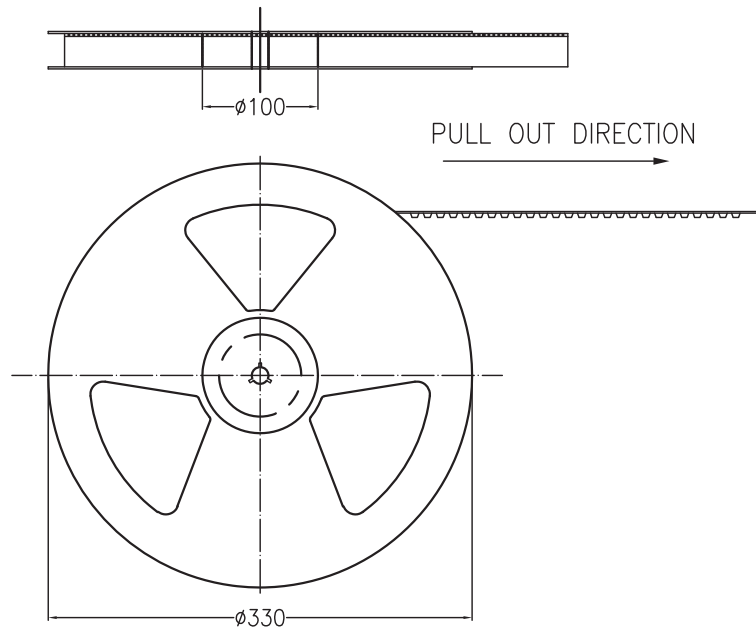
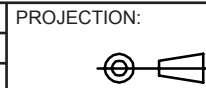


RoHS Compliant		*NOTE: theoretical value related to the Tin plating; however, due to the sensitive actuator, we recommend not to make more than 1 or 2 cycles in order to maintain acceptable mechanical & electrical conditions			
M		PROJECTION:		GENERAL TOLERANCE	
L				.X = +/- 0.2	
K				.XX = +/- 0.15	
J		APPROVAL: Gmo		UNIT: MM	
I				SCALE:	DESCRIPTION: 1.0MM ZIF FPC VERTICAL CONTACT TYPE - TAPE & REEL PACKAGING WITH CAP
H	05-JUN-15	TPK REVIEW	AK	SHEET: 1/2	WERI PART NO: 686 3xx 124 422
REV	DATE	FILE	BY	DRAW: PEARL	SIZE A4



PART NO.	4-8PIN	9-15PIN	16-24PIN	25-30PIN
W	24.00	32.00	44.00	52.00
F	11.50	14.20	20.20	24.20
S0	--	28.40	40.40	48.40

RoHS Compliant			
G			
F			
E			
D			
C			
B			
A			
REV	DATE	FILE	BY



GENERAL TOLERANCE
 .X = +/- 0.2
 .XX = +/- 0.15

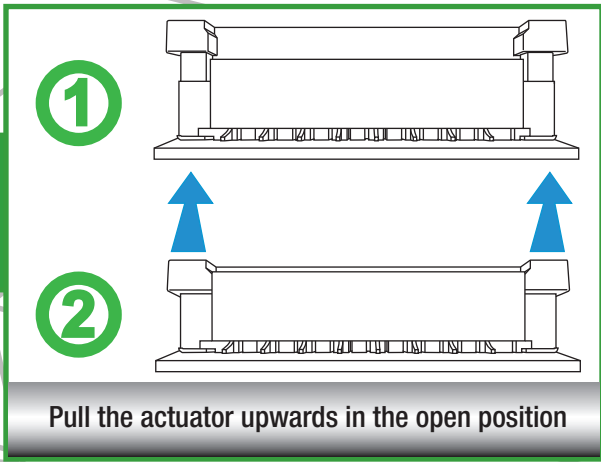


APPROVAL: GMo

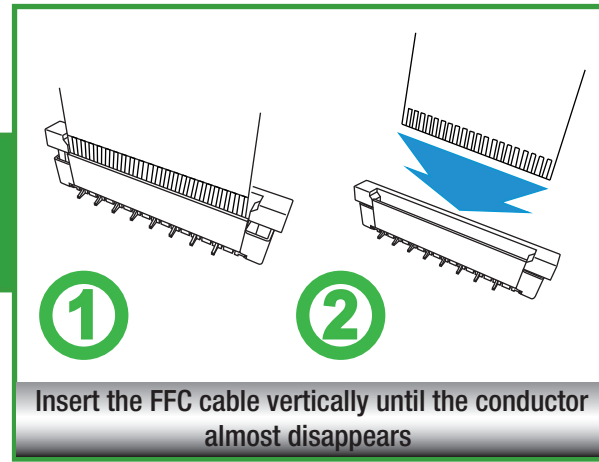
UNIT: MM
 SCALE:
 SHEET: 2/2
 DRAW: AK

DESCRIPTION: 1.0MM ZIF FPC VERTICAL CONTACT TYPE -
 TAPE & REEL PACKAGING WITH CAP
 WERI PART NO: 6863 xx 124422

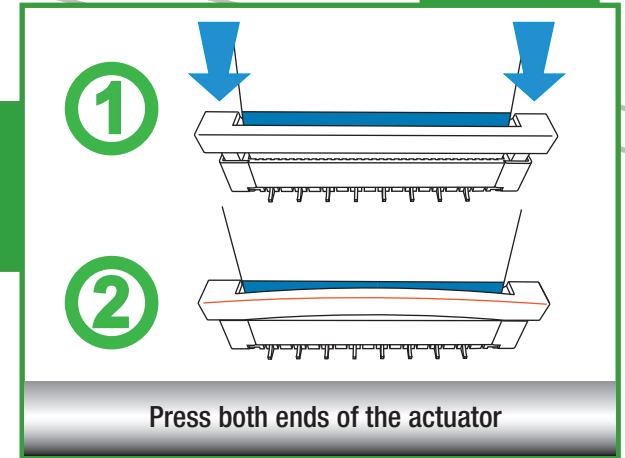
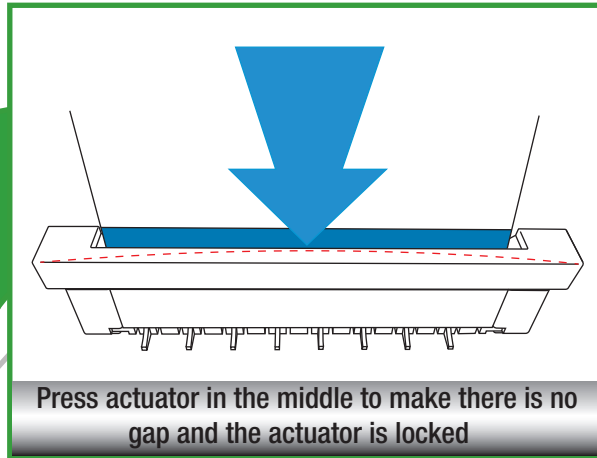
SIZE
A4

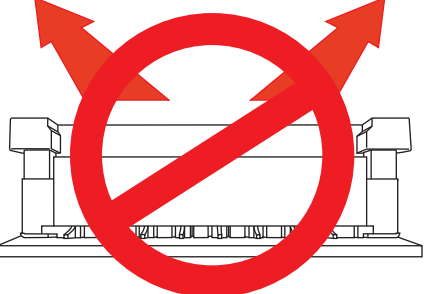


A



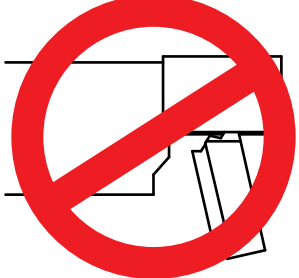
B



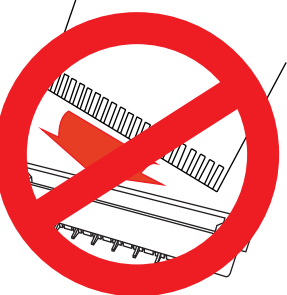


Pull the actuator as horizontally as possible by a proper force

A

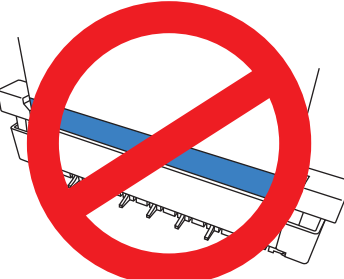


Do not pull the actuator too far otherwise the stop limit (hook on actuator) may be broken



Do not keep FFC inclined when insertion

B



Don't keep conductor toward actuator