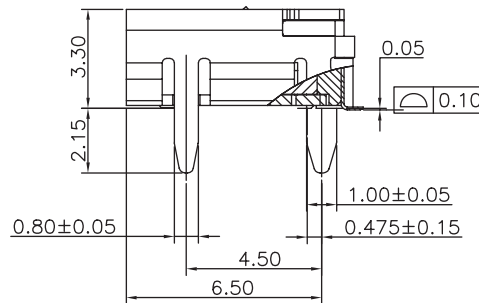
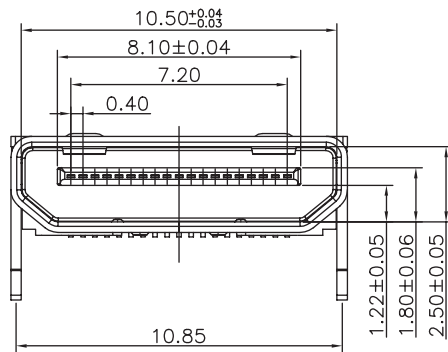


PCB LAYOUT - COMPONENT VIEW
TOLERANCE: ±0.05mm



TECHNICAL CHARACTERISTICS

MATERIAL
INSULATOR MATERIAL: LCP
FLAMMABILITY RATING UL94-V0
COLOUR: BLACK
CONTACT MATERIAL: PHOSPHORE BRONZE
CONTACT TYPE: STAMPED
CONTACT PLATING: SELECTIVE GOLD
SHIELDING: BRASS TIN PLATED
QUALITY CLASS: 1500 MATING CYCLES

ENVIRONMENTAL
OPERATING TEMPERATURE: -25 °C UP TO 85 °C
COMPLIANCE: LEAD FREE AND ROHS

ELECTRICAL
CURRENT RATING: 0.5 A
WORKING VOLTAGE: 40 V
INSULATION RESISTANCE: >100 mOHM
DIELECTRIC WITHSTANDING VOLTAGE: 500 VAC/MN
CONTACT RESISTANCE: 30 mOHM MAX

STANDARD
CERTIFIED: E323964 / MODEL NUMBER 685119136923

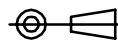
SOLDERING
REFLOW PROCESS ONLY

PACKAGING
TAPE & REEL

RoHS Compliant

G			
F	04-MAY-15	LAYOUT DIM ADD	QL
E	09-NOV-11	QUALITY CLASS	GG
D	14-JUN-10	PACKAGING	JP
C	19-NOV-09	STANDARD	JP
B	05-DEC-07	MODIFICATIONS	EC
A	20-NOV-07	PDF	EC
REV	DATE	FILE	BY

PROJECTION:



GENERAL TOLERANCE

.X = +/- 0.2
.XX = +/- 0.15



APPROVAL: NPr

UNIT: MM

SCALE:

SHEET: 1/2

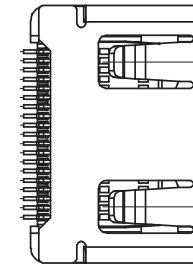
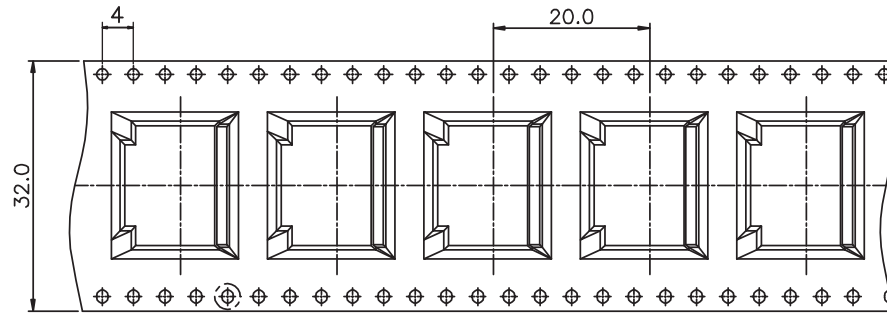
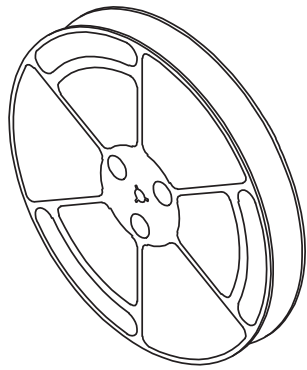
DRAW:

DESCRIPTION: ANGLED SMT MINI HDMI

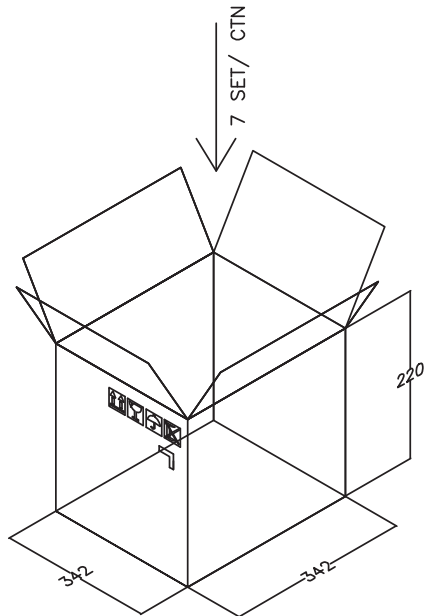
WERI PART NO: 685 119 136 923

SIZE

A4

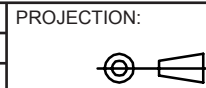


← 650 PCS/ TAPE REEL



NOTE:
 1.PACK: 650PCS/TAPE REEL 4550PCS/CTN.
 2.CARTON SIZE : 342*342*220mm.

RoHS Compliant			
G			
F			
E			
D			
C			
B			
A			
REV	DATE	FILE	BY



GENERAL TOLERANCE
 .X = +/- 0.2
 .XX = +/- 0.15



APPROVAL: RJ

UNIT: MM
 SCALE:
 SHEET: 2/2
 DRAW:

DESCRIPTION: ANGLED SMT MINI HDMI

WERI PART NO: 685 119 136 923

SIZE
A4