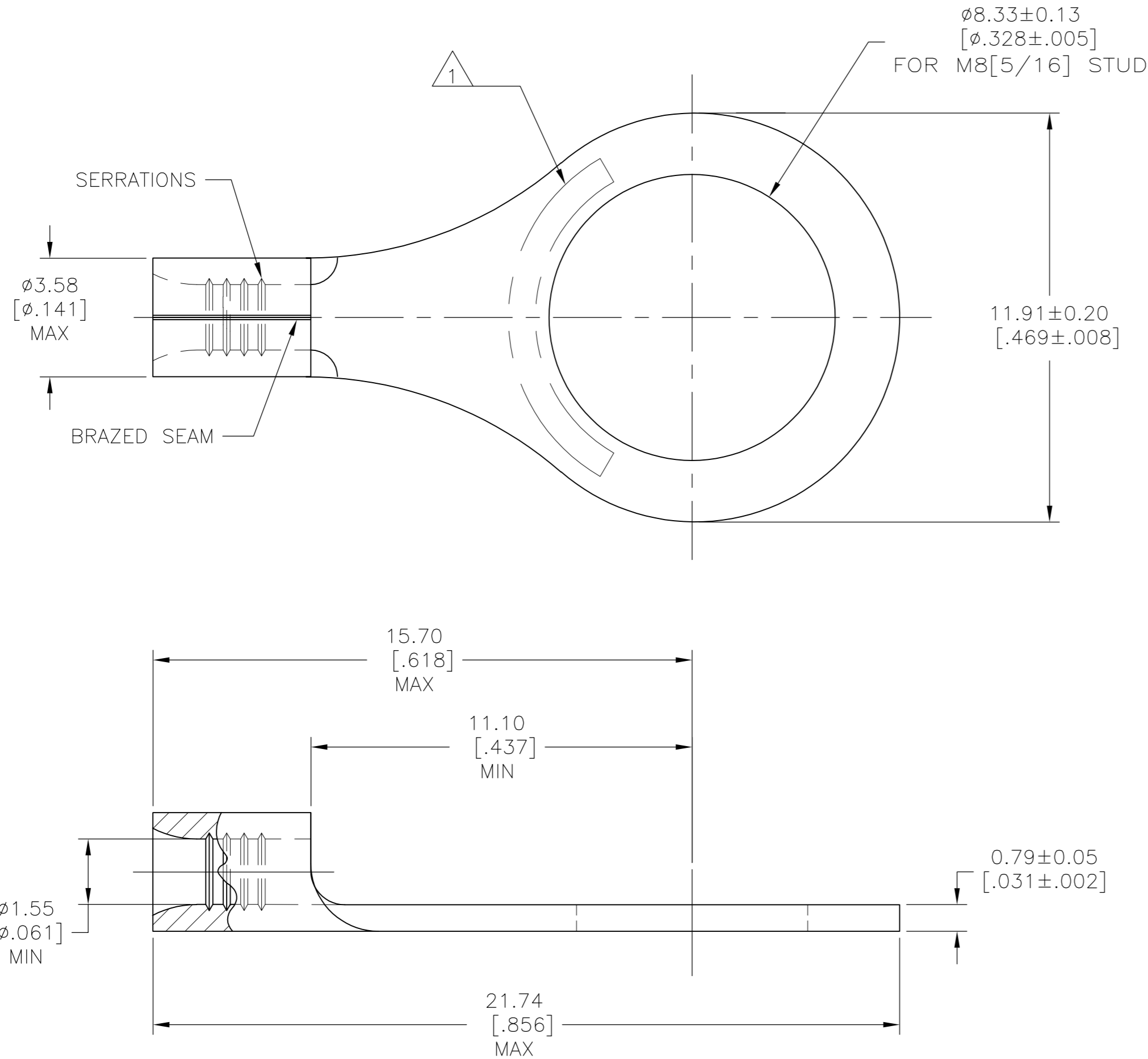


THIS DRAWING IS UNPUBLISHED. RELEASED FOR PUBLICATION
 © COPYRIGHT - By - ALL RIGHTS RESERVED.

LOC	DIST	REVISIONS			
P	LTR	DESCRIPTION	DATE	DWN	APVD
G	14	D1	REVISED PER ECO-15-013426	18SEP2015	NK DR

AMP
WIRE RANGE

22-16 AWG
SOLID OR STRANDED



- 1 STAMP AMP 22-18* APPROX AS SHOWN
22-16 TERMINALS ARE STAMPED 22-18 IN
ACCORDANCE WITH MILITARY SPEC SAE AS7928
COMMERCIAL WIRE RANGE IS 22-16
- 2 TIN PLATE 0.00254[.000100] MIN EXT THK
PER ASTM-B545
- 3 GOLD PLATE 0.00127[.000050] MIN EXT THK PER
ASTM-B488 TYPE 1 CODE C OVER NICKEL PLATE
0.00076[.000050] MIN EXT THK PER SAE AMS
QQ-N-290 OVER Cu FLASH PER SAE AMS 2418
- 4 CLEANED, UNPLATED
- 5 NICKEL PLATED 0.00762 [.000300] MIN EXT THK
PER SAE AMS QQ-N-290.
- 6 UL LISTED E13288, 22-16 AWG SOLID OR STRANDED.
- 7 CSA CERTIFIED LR7189, 22-16 AWG SOLID OR STRANDED
- 8 MILITARY P/N AND CLASS: M7928/7-5 CLASS 2
- 9 COPPER PER ASTM B152 ANNEALED
- 10 PRELIMINARY - NOT FOR PRODUCTION

7 6	100	170°C MAX	LOOSE PIECE, BOX	2	8-34114-1
8 7 6	5000	170°C MAX	34114 ON TAPE	2	2-34114-2
	1000	343°C MAX	LOOSE PIECE	5	34114-4
	1000	170°C MAX	LOOSE PIECE	4	10 34114-3
	1000	260°C MAX	LOOSE PIECE	3	34114-1
8 7 6	1000	170°C MAX	LOOSE PIECE	2	34114
	QTY	MAX TEMP.	PACKAGE TYPE	FINISH	PART NUMBER

AMP INCORPORATED CUSTOMER SERVICE SYSTEMS		MAX RECOMMENDED OPERATING TEMPERATURE: SEE TABLE	THIS DRAWING IS A CONTROLLED DOCUMENT.		DWN TA BRINKMAN 3-10-93 CHK DA PATTERSON 3-10-93 APVD DE MILLER 3-10-93				
FOR ADDITIONAL PRODUCT INFORMATION OR COPIES OF DRAWINGS AND TECHNICAL DOCUMENTS PRODUCT INFORMATION CENTER 1-800-522-6752	FOR APPLICATION TOOLING ASSISTANCE CENTER TOOLING ASSISTANCE CENTER 1-800-722-1111	VOLTAGE RATING: N/A	DIMENSIONS: mm [INCHES]	TOLERANCES UNLESS OTHERWISE SPECIFIED: 0 PLC ± - 1 PLC ± - 2 PLC ± 0.20 [.008] 3 PLC ± - 4 PLC ± - ANGLES ± -	NAME TERMINAL, RING TONGUE, SOLISTRAND	SIZE A2	CAGE CODE 00779	DRAWING NO C-34114	RESTRICTED TO -
FOR ORDER ENTRY 1-800-526-5142	THIS DRAWING IS A CONTROLLED DOCUMENT FOR AMP INCORPORATED. IT IS SUBJECT TO CHANGE AND THE CONTROLLING ENGINEERING ORGANIZATION SHOULD BE CONTACTED FOR THE LATEST REVISION.		MATERIAL 9	FINISH SEE TABLE	WEIGHT -	SCALE 8:1	SHEET 1 OF 1	REV D1	CUSTOMER DRAWING