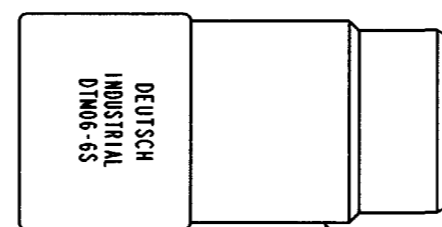
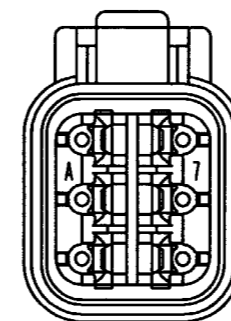
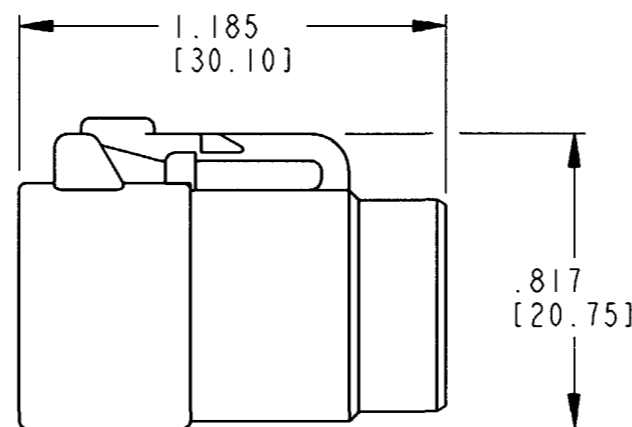
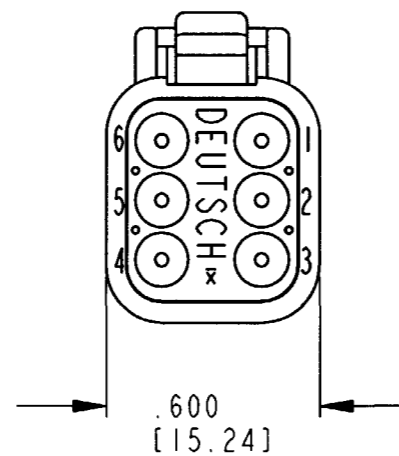
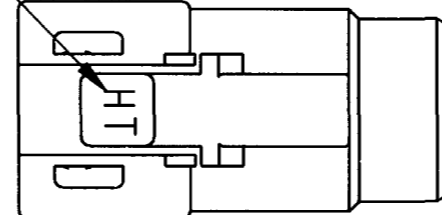


HIGH TEMPERATURE IDENTIFIER



PLUG HOUSING

REV NC DTM06-6S-EE04

REVISIONS

SYM	DESCRIPTION	DATE	APPROVED
NC	NEW RELEASE PER E.O. P19786	4-21-08	RDR

- 7. PART MODIFICATION: PLUG IS BLACK AND RATED AT 150°C.
  - 6. MATERIAL - HOUSING: PLASTIC (BLACK) ; GROMMET: RUBBER.
  - 5. CONNECTOR DESIGNED TO BE USED WITH DTM04-6P-\*\*\*\* RECEPTACLE. (\*\*\*\*) = ALL HIGH TEMPERATURE MODIFICATIONS CONSULT FACTORY FOR MODIFICATIONS
  - 4. FOR CONTACT AND WIRE PERFORMANCE AND APPLICATION CHARACTERISTICS SEE ENVELOPE DRAWING 0425-015-0000.
  - 3. SECONDARY WEDGE LOCK SOLD SEPARATELY: WM-6S.
  - 2. DIMENSION TOLERANCE: ±.025 [.64].
  - 1. DIMENSIONS ARE IN INCHES [mm].
- NOTES: UNLESS OTHERWISE SPECIFIED

CONTACT SIZE	MIN. INSUL. O.D.	MAX. INSUL. O.D.	WIRE RANGE [mm <sup>2</sup> ] REF ONLY
20	.053 [1.35]	.120 [3.05]	16-20 AWG [1.0-0.5]

SIGNATURE & DATE	
DR	P. CARNAHAN 03/04/08
CHK	R. M. ... 4/15/08
PE	Paula ... 4/8/08
APPD	D. Meyer 4/8/08
SCALE	NONE

PLUG  
6 CONTACTS, SIZE 20  
COLOR: BLACK  
-EE04 MOD  
DTM SERIES

ENVELOPE

EP 172	MATL. CODE
3850 INDUSTRIAL AVE. HEMET, CA 92545	
<b>B</b> DTM06-6S-EE04	
DWG SIZE	SHEET 1 OF 1