

MICRO SWITCH
a Honeywell Division

FED. MFG. CODE 91929

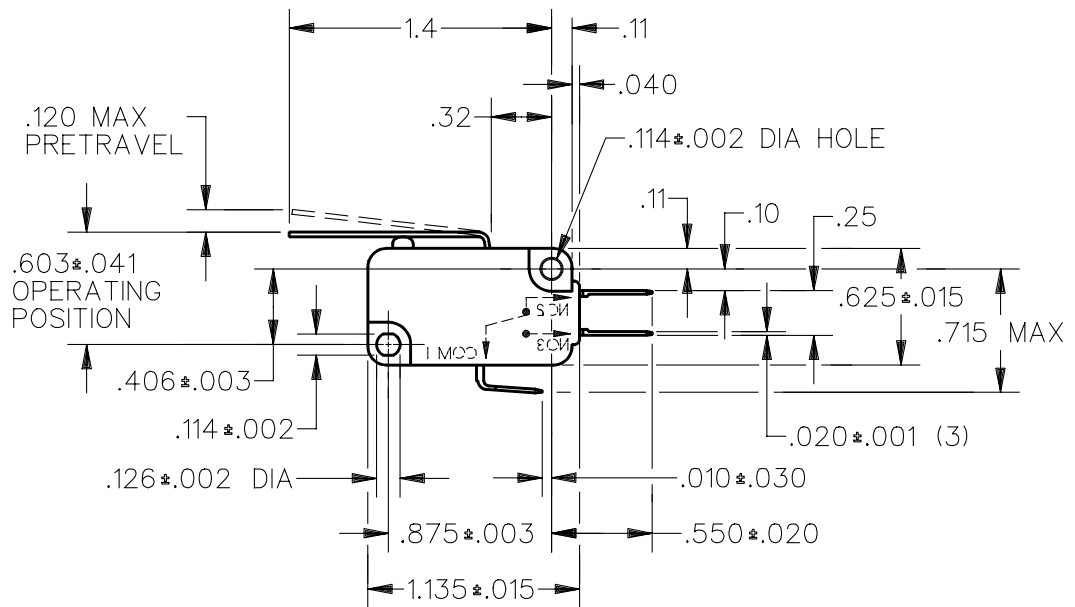
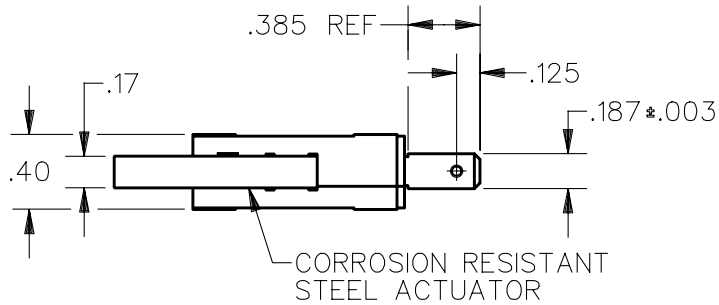
SWITCH - BASIC

CATALOG LISTING

V7-2B17D8-022

CW-B3083

CATALOG LISTING
V7-2B17D8-022
REPLACES
RELEASE NO. PR-19124
CHECK
ISSUE
2

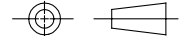


REVISIONS	
A	CO
	76214
	G R I
	25 OCT 93

DDM/CAD
DRAWN
B A B 4 APR 91
CHECK
J A P
4 APR 91
CHECK

THIS DRAWING COVERS A PROPRIETARY ITEM AND IS THE PROPERTY OF MICRO SWITCH, A DIVISION OF HONEYWELL. THIS DRAWING IS NOT TO BE COPIED OR USED WITHOUT THE APPROVAL OF MICRO SWITCH.

THIRD ANGLE PROJECTION



CHARACTERISTICS	ELECTRICAL DATA	SCALE FULL	DO NOT SCALE PRINT
OPERATING FORCE — — — 41 GRAM MAX	CONTACT ARRANGEMENT S P D T	UNLESS OTHERWISE SPECIFIED TOLERANCES ARE ONE PLACE (.0) ±.030 TWO PLACE (.00) ±.015 THREE PLACE (.000) ±.005 ANGLES ± WEIGHT	
RELEASE FORCE — — — 3 GRAM MIN	L156 11A 1/3HP 125, 250 OR 277 VAC 1/2A 125 VDC, 1/4A 250 VDC 4A 125 VAC "L"		
DIFFERENTIAL TRAVEL — — — .027 MAX			
OVERTRAVEL — — — .067 MIN			
RELEASE TRAVEL — — — .017 MIN			

