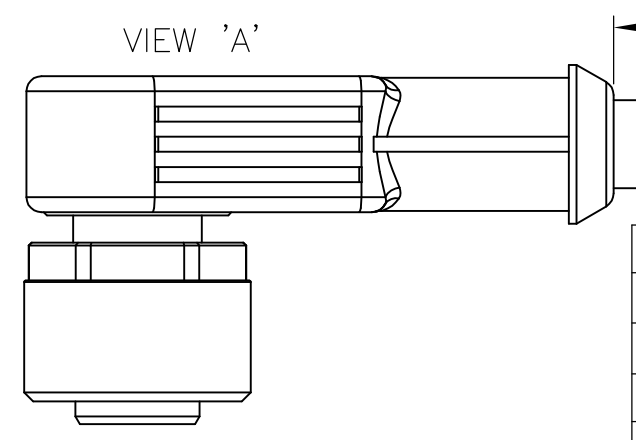
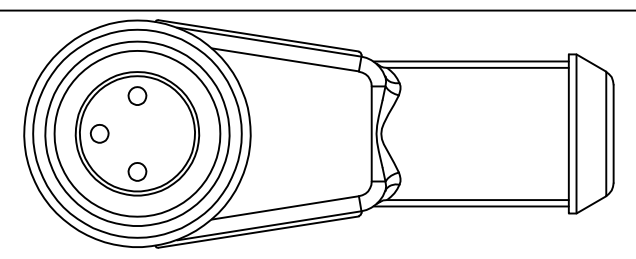


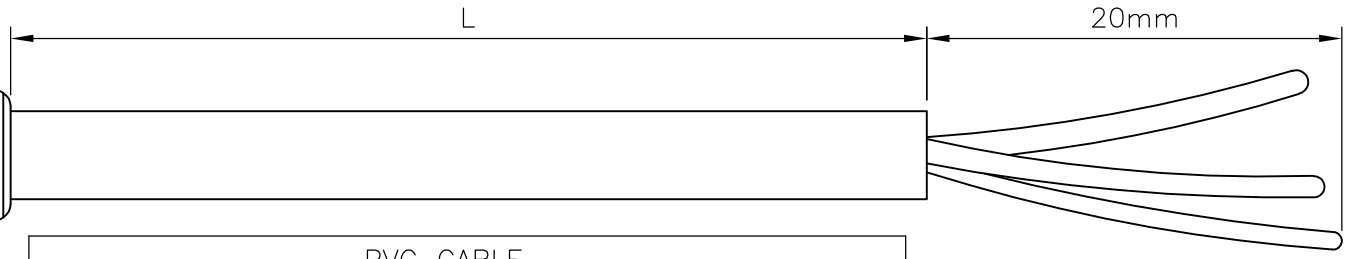
THIS DRAWING IS UNPUBLISHED. RELEASED FOR PUBLICATION
 © COPYRIGHT - By - ALL RIGHTS RESERVED.

P	LTR	DESCRIPTION	DATE	DWN	APVD
	A1	ECR-14-011671	14AUG2014	GSK	BvH
	A2	ECR-15-018018	11DEC2015	RK	BvH
	A3	ECR-16-003945	16MAR2016	GSK	BvH

NOTES:
 Tolerances cable lengths:
 0m to 0.5m +30mm
 0.5m to 1.0m +50mm
 1.0m to 3.0m +100mm
 < 3.0m +1.5%

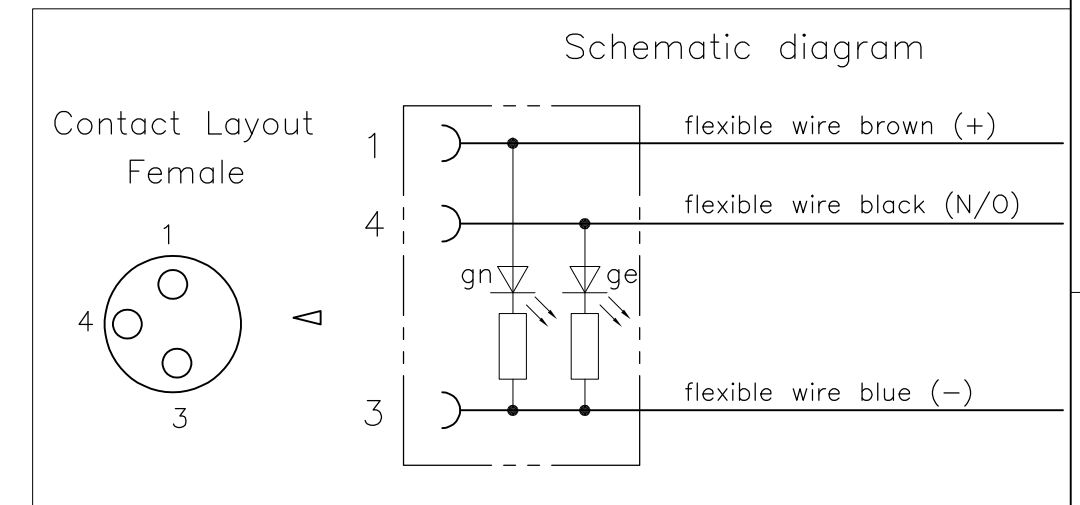


A ↑



PVC CABLE	
No./diameter of wires	3 x 0.25 mm ²
Wire isolation	PVC (br, bl, bk)
C-track properties	
Jacket	PVC (UL/CSA)
Outer diameter	approx. 4.5 mm
Bend radius (moving)	10 x outer diameter
Temperature range (fixed)	-30...+80 °C
Temperature range (mobile)	-5...+80 °C

TECHNICAL DATA	
Operating voltage	24 V DC ±25 %
Operating current per contact	max. 4 A
Locking of ports	Screw thread M8 x 1 mm (recommended torque 0.4 Nm) self-securing
Protection	IP65 and IP67 when plugged and screwed down (EN 60529)



PUR CABLE	
No./diameter of wires	3 x 0.25 mm ²
Wire isolation	PP (br, bl, bk)
C-track properties	5 million
Jacket	PUR (UL/CSA)
Outer diameter	approx. 4.1 mm
Bend radius (moving)	10 x outer diameter
Temperature range (fixed)	-40...+80 °C
Temperature range (mobile)	-25...+80 °C

LENGTH "L"	MATERIAL	JACKET COLOR	TE PN	DESCRIPTION	ITEM
3 pos	PVC	Black	1-2273012-4	3x22AWG PVC 10.0m	8
			1-2273012-3	3x22AWG PVC 5.0m	7
			1-2273012-2	3x22AWG PVC 3.0m	6
			1-2273012-1	3x22AWG PVC 1.5m	5
3 pos	PUR	Black	2273012-4	4x22AWG PUR 10.0m	4
			2273012-3	3x22AWG PUR 5.0m	3
			2273012-2	3x22AWG PUR 3.0m	2
			2273012-1	3x22AWG PUR 1.5m	1

THIS DRAWING IS A CONTROLLED DOCUMENT.		DWN 18JAN2013 SATHISH KUMAR .G		TE Connectivity	
DIMENSIONS: mm		CHK 18JAN2013 B.VELDHOVEN			
TOLERANCES UNLESS OTHERWISE SPECIFIED:		APVD 18JAN2013 A.VAN ZANDVOORT		NAME M8 X 1.0 ANGLED SOCKET PIGTAIL LED	
0 PLC ± - 1 PLC ± - 2 PLC ± - 3 PLC ± - 4 PLC ± - ANGLES ± -		PRODUCT SPEC 108-19483		RESTRICTED TO	
MATERIAL		APPLICATION SPEC 114-32127		SIZE CAGE CODE DRAWING NO	
FINISH		WEIGHT		A3 00779 C-2273012	
CUSTOMER DRAWING				SCALE NTS SHEET 1 OF 1 REV A3	