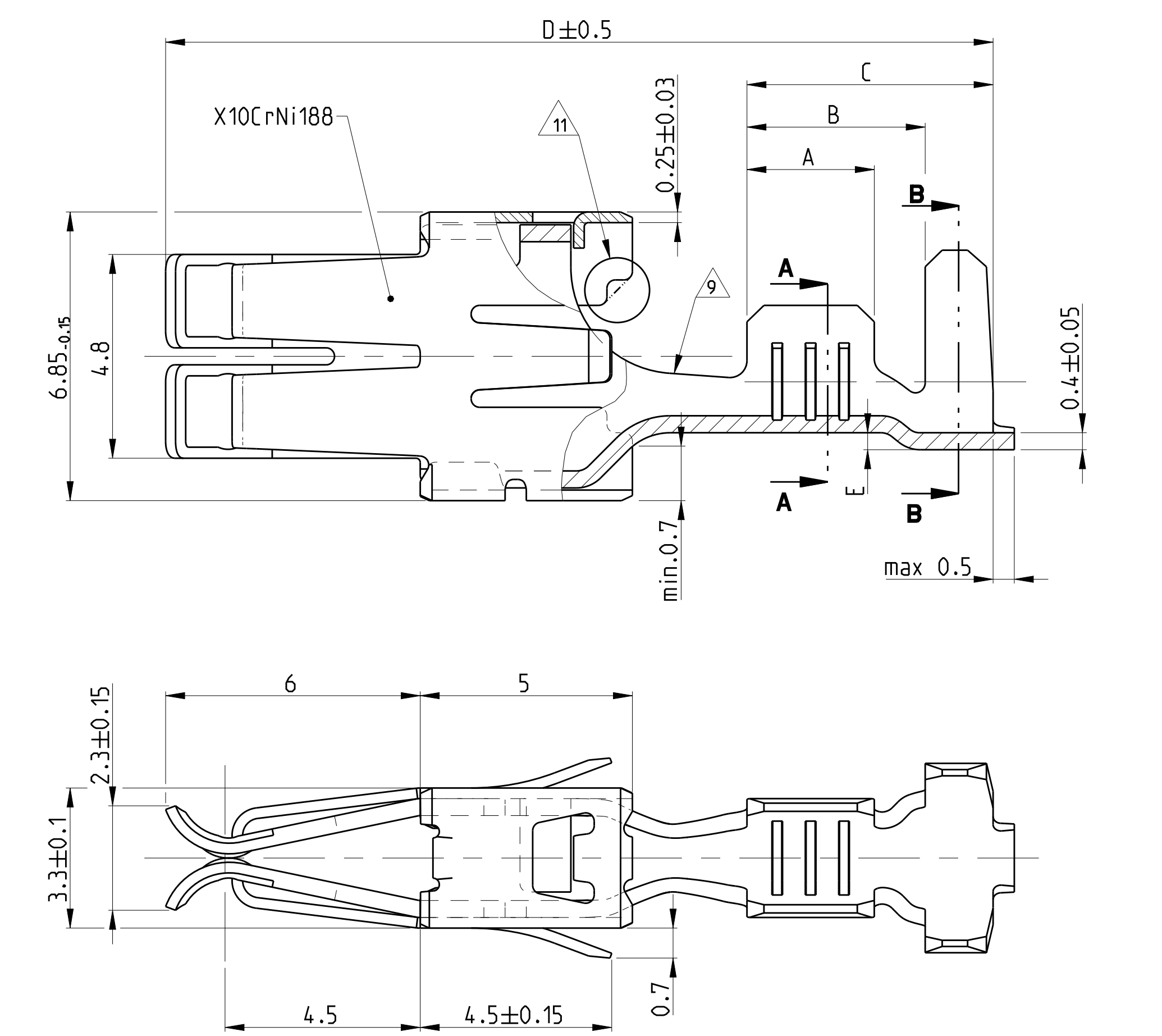


LOC	REV	DESCRIPTION	DATE	APPV
A1	-	REVISIONS		
B3	SEE ECR 12-016501		19920202	JS RS
B4	ECR-14-019155		19A032004	S,K J,P
B5	ECR-15-012070		19A032005	JB,M BK

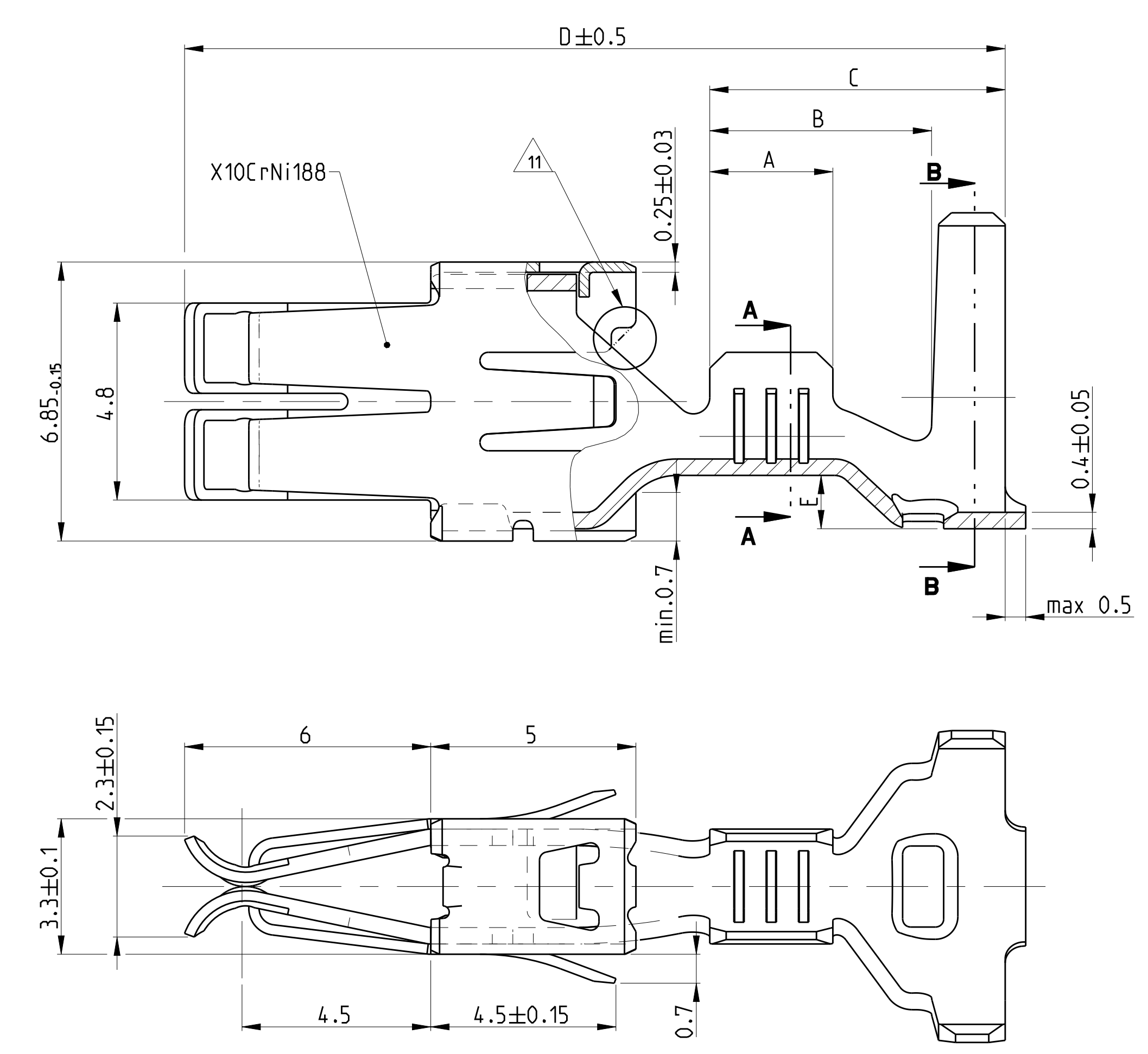
VERSION A (UNSEALED/ ungedichtet)

PART NO.	MATERIAL	SURFACE	CONTACT ZONE	E	G	D	H	K	CRIMP AREA	MATERIAL	EXTRACTION TOOL	A	B	C	D	E	TE CONNECTIVITY ORDER - NO.	REV
927839-5	CuFe2	vorversilbert PRESILVERED	0.2 - 0.5 FLK	E = 2.2	G = 2.2	D = 0.8	H = 3.7	K = 3.8	0.20mm² = 1.13	MQC- Applicator 878426-2	539635-1 WITH DIE: mit Matrizze 539744-2	2.5	3.8	6.6	19.5	0.3		
927839-4	CuSn4								0.25mm² = 1.15									
927839-2	CuSn4	vorverzint PRE TINNED							0.35mm² = 1.19									
927839-1	CuFe2								0.50mm² = 1.26									
927827-2	CuSn4	vorverzint PRE TINNED	0.5 - 1.0 FLK	E = 2.8 G = 4.7 D = 1.1			H = 4.5 K = 4.7 D = 2.4		0.5mm² = 1.38 0.75mm² = 1.47 1.0mm² = 1.56	MQC- Applicator 2-541689-2	539733-2 WITH DIE: mit Matrizze 734249-0	3	4.2	5.8	19.5	0.4		
927833-5	CuFe2								1.5mm² = 1.76									
927833-2	CuSn4	vorverzint PRE TINNED	>1.0 - 2.5 FLK	E = 3.8 G = 4.1 D = 1.6			H = 5.7 K = 5.8 D = 3.6		2.0mm² = 1.90 2.5mm² = 2.04	MQC- Applicator 878367-2	539635-1 WITH DIE: mit Matrizze 539733-2	3.5	4.7	6.3	19.5	0.4		
927824-2	CuSn4	vorverzint PRE TINNED	>2.5 - 4.0 FLK	E = 4.6 G = 6.6 D = 2.4			H = 6.3 K = 6.6 D = 4.0		3.0mm² = 2.13 3.5mm² = 2.24 4.0mm² = 2.35	MQC- Applicator 2-878314-2	539635-1 WITH DIE: mit Matrizze 539734-2	4	5.2	6.8	19.5	0.6		
963709-7	CuFe2																	
963709-5	CuFe2																	
963709-4	CuSn4	vorversilbert PRESILVERED							4.0mm² = 2.17									
963709-3	CuSn4								5.0mm² = 2.36									
963709-2	CuSn4	vorverzint PRE TINNED	4.0 - 6.0 FLK	E = 5.2	G = 5.5	D = 2.9	H = 7.3	K = 7.6	6.0mm² = 2.55	MQC- Applicator 2-878738-2	-	4.2	5.6	7.7	20	0.6		
963709-1	CuFe2																	
1241818-6	B CuNiSi																	
1241818-5	B CuFe2																	
1241818-1	B CuFe2	vorverzint PRE TINNED																
927840-7	CuFe2																	
927840-5	CuFe2																	
927840-4	CuSn4	vorversilbert PRESILVERED	0.2 - 0.5 FLR	E = 2.2	G = 2.2	D = 0.8	H = 2.8	K = 2.8	0.2mm² = 1.13	MQC- Applicator 878427-2	-	2.5	3.8	6.4	19.5	0.3		
927840-2	CuSn4	vorverzint PRE TINNED							0.35mm² = 1.19									
927840-1	CuFe2								0.5mm² = 1.26									
1-927831-5	CuFe2																	
927831-7	CuFe2																	
927831-5	CuFe2	vorversilbert PRESILVERED	0.5 - 1.0 FLR	E = 2.8	G = 3.0	D = 1.1	H = 3.9	K = 4.1	0.5mm² = 1.43	MQC- Applicator 878328-2	169400-0 WITH DIE: mit Matrizze 734781-1	3	4.2	5.8	19.5	0.4		
927831-4	CuSn4								0.75mm² = 1.52									
927831-3	CuSn4								1.0mm² = 1.61									
927831-2	CuSn4	vorverzint PRE TINNED																
927831-1	CuFe2																	
1-927837-5	CuFe2																	
927837-7	D CuFe2								1.25mm² = 1.69									
927837-6	D CuFe2								1.5mm² = 1.76	MQC- Applicator 878356-2	169400-0 WITH DIE: mit Matrizze 734251-0	3.5	4.7	6.3	19.5	0.4		
927837-5	D CuFe2	vorversilbert PRESILVERED	>1.0 - 2.5 FLR	E = 3.8	G = 4.1	D = 1.6	H = 4.8	K = 4.9	2.0mm² = 1.90									
927837-4	D CuSn4								2.5mm² = 2.04									
927837-3	D CuSn4																	
927837-2	D CuSn4	vorverzint PRE TINNED																
927837-1	D CuFe2																	
1-927829-5	D CuFe2								3.0mm² = 2.13	MQC- Applicator 2-878384-2	169400-0 WITH DIE: mit Matrizze 734251-0	4	5.2	6.8	19.5	0.6		
927829-5	D CuFe2								3.5mm² = 2.24									
927829-2	D CuSn4	vorverzint PRE TINNED	>2.5 - 4.0 FLR	E = 4.6	G = 4.8	D = 2.4	H = 5.5	K = 5.7	4.0mm² = 2.35									
927829-1	D CuFe2																	



VERSION B (SINGLE WIRE SEAL/ Einzel-Dichtungs-System)

PART NO.	MATERIAL	SURFACE	CONTACT ZONE	E	G	D	H	K	CRIMP AREA	MATERIAL	EXTRACTION TOOL	A	B	C	D	E	TE CONNECTIVITY ORDER - NO.	REV
2-927836-2	CuSn4		0.5 - 1.0 FLR	E = 2.8	G = 3.0	D = 1.1	H = 7.6	K = 7.7	0.5mm² = 1.43	MQC- Applicator 878337-2	539635-1 WITH DIE: mit Matrizze 739736-2	3	5.4	7.2	20	1.25	963243-1 963244-1	100132-1
927836-7	CuFe2								0.75mm² = 1.52									
927836-2	CuSn4	vorverzint PRE TINNED							1.0mm² = 1.61									
927836-1	CuFe2																	
2-927835-2	CuSn4																	
2-927835-1	CuSn4																	
1-927835-3	CuFe2																	
1-927835-2	CuFe2																	
927835-7	CuFe2																	
927835-2	CuSn4	vorverzint PRE TINNED	>1.0 - 2.5 FLR	E = 3.8	G = 4.1	D = 1.6	H = 7.6	K = 7.7	1.5mm² = 1.76	MQC- Applicator 878338-2	539635-1 WITH DIE: mit Matrizze 539736-2	3.5	5.9	7.7	20	1.25	963244-1 963245-1	100132-1
927835-1	CuFe2								2.0mm² = 1.90									
927835-1	CuFe2								2.5mm² = 2.04									
2-928966-2	D CuSn4																	
2-928966-1	D CuSn4																	
1-928966-3	D CuFe2																	
1-928966-2	D CuFe2																	
928966-7	D CuFe2																	
928966-2	D CuSn4	vorverzint PRE TINNED	>2.5 - 4.0 FLR	E = 4.6	G = 4.8	D = 2.4	H = 7.6	K = 7.7	3.0mm² = 2.13	MQC- Applicator 878441-2	539635-1 WITH DIE: mit Matrizze 539736-2	4	5.9	7.7	20	1.25	963245-1	100132-1
928966-1	D CuFe2								4.0mm² = 2.35									
1241962-1	B CuFe2	vorverzint PRE TINNED	>3.0 - 5.0 FLR	E = 4.8 G = 5.2 D = 2.5			H = 8.15 K = 7.8 D = 6.0		3.0mm² = 2.25 4.0mm² = 2.50 5.0mm² = 2.75	MQC- Applicator	WITH DIE: mit Matrizze	4	5.9	7.7	20	1.25	967011-1 963245-1	100132-1



CONTACT ZONE SELECTIVE PRE SILVER PLATED MIN 3-4.5 µm
Kontaktzone selektiv vorversilbert min. 3-4.5 µm

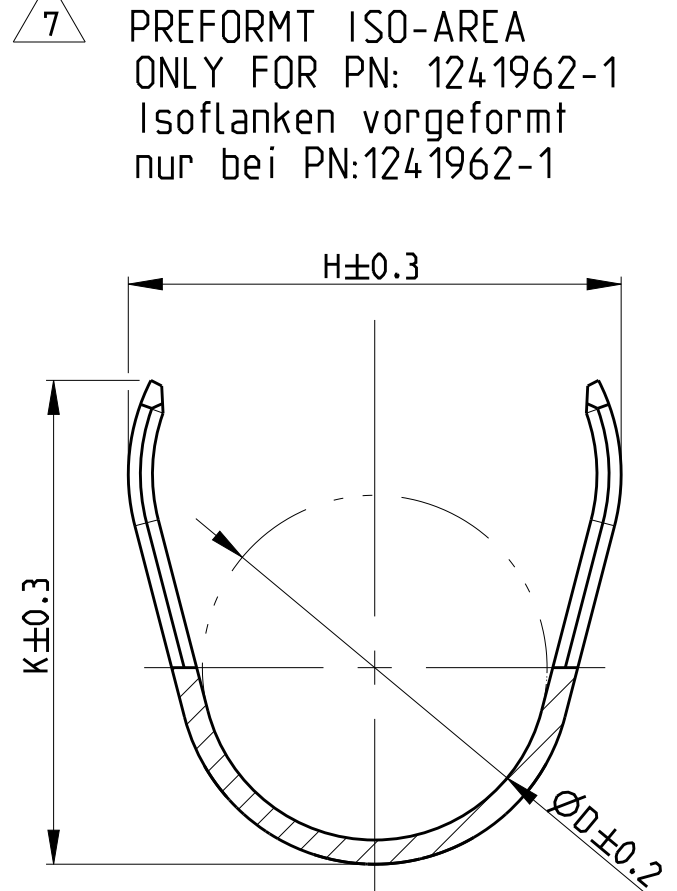
CONTACT ZONE SELECTIVE PRE SILVER PLATED MIN 1-1.5 µm
Kontaktzone selektiv vorversilbert min. 1-1.5 µm

CONTACT BODY: ELECTRO TIN PLATED OVER NICKEL CONTACT AREA: GOLD PLATED
Kontaktkoerper: gal. verzint ueber Nickel Kontaktzone: vergoldet

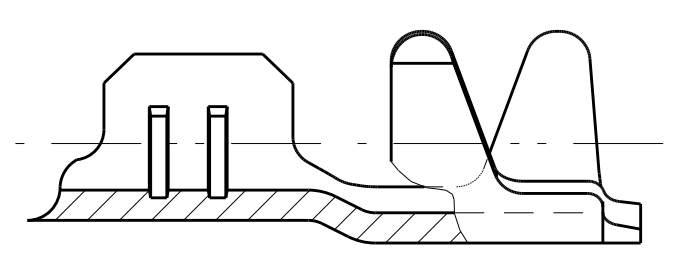
CONTACT BODY: ELECTRO TIN PLATED OVER NICKEL CONTACT AREA: SELECTIVE NICKEL PLATED 2-4 µm
Kontaktkoerper: gal. verzint ueber Nickel Kontaktzone: selektiv vernickelt 2-4 µm

CONTACT BODY: ELECTRO TIN PLATED OVER NICKEL TOUCHING AREA TO CANTILEVER SPRING: SELECTIVE AU PLATED OVER NICKEL
Kontaktkoerper: gal. verzint ueber Nickel Anlageflaeche zur Ueberfeder selektiv Au ueber Ni beschichtet Ueberfeder: komplett Au beschichtet

CONTACT BODY: ELECTRO TIN PLATED OVER NICKEL TOUCHING AREA TO CANTILEVER SPRING AND CONTACT AREA SELECTIVE AU PLATED OVER NICKEL
CANTILEVER SPRING: COMPLETELY AU PLATED
Kontaktkoerper: gal. verzint ueber Nickel Anlageflaeche zur Ueberfeder Kontaktzone selektiv Au ueber Ni beschichtet Ueberfeder: komplett Au beschichtet



WRAP CRIMP ONLY FOR PN: 927839, 927840, 928989 AND 928990
Umfassungscrimp nur bei PN: 927839, 927840, 928989 und 928990



TRANSITION ONLY FOR PN 927827, 927828, 927829, 927830, 927833, 927834, 927837, AND 927838
Uebergang nur fuer PN 927827, 927828, 927829, 927830, 927833, 927834, 927837 und 927838

1-3 µm Sn28M LAYER FOR HIGHER TEMPERATURE REQUIREMENTS
1-3 µm Sn28M Schicht fuer hoehere Temperaturanforderungen

DOTTED LINE IS ALTERNATIVE SHAPE
Gestrichelte Linie alternative Form

OBSOLETE

SECTION B-B Schnitt B-B

THIS DRAWING IS A CONTROLLED DOCUMENT. DIMENSIONS: (mm) 0.25mm 0.2mm 0.15mm 0.1mm 0.05mm 0.02mm 0.01mm

TE Connectivity
STANDARD POWER TIMER CONTACT
Standard Power Timer Kontakt

Customer Drawing