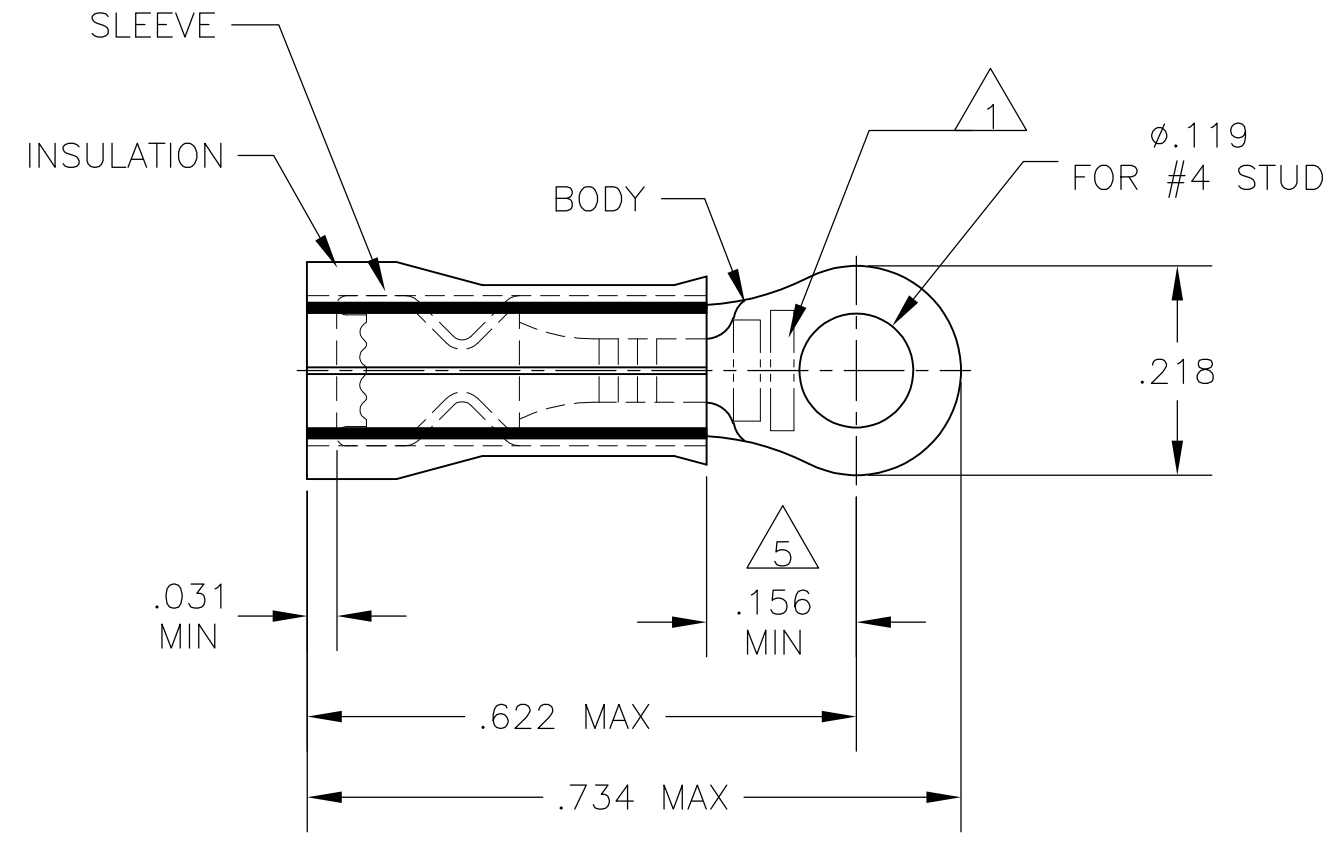


THIS DRAWING IS UNPUBLISHED. RELEASED FOR PUBLICATION
 © COPYRIGHT - By - ALL RIGHTS RESERVED.

LOC	DIST	REVISIONS					
		P	LTR	DESCRIPTION	DATE	DWN	APVD
G	14		N	REVISED PER ECO-14-015277	13FEB2015	NK	DR

AMP WIRE RANGE	E13288 Listed	LR7189 Certified
22-16 AWG SOLID OR STRANDED	22-16 AWG SOLID OR STRANDED	22-16 AWG SOLID OR STRANDED



- 1 STAMP "AMP 22-18*", APPROX AS SHOWN
22-16 TERMINALS ARE STAMPED 22-18 IN ACCORDANCE WITH MILITARY SPEC AS7928, COMMERCIAL WIRE RANGE IS 22-16.
- 2 WIRE INSULATION DIA: SEE TABLE.
- 3 TONGUE MATERIAL THK: .031±.002.
- 4 BODY & SLEEVE: CU PER ASTM B152
BODY & SLEEVE: TIN PLATE .000100 MIN
EXT THK PER ASTM B545
INSULATION: NYLON PER ASTM D4066, COLOR - RED.
- 5 APPLIES FROM EDGE OF METAL WIRE BARREL TO CENTER OF STUD HOLE.
- 6 MEETS M7928/1-11, CLASS 1 & 2.
- 7 MEETS M7928/1-20, CLASS 1 & 2.
- 8 MEETS M7928/1-29, CLASS 1 & 2.

QTY	PACKAGE TYPE	WIRE STAMPING	WIRE INSUL. DIA	WIRE SIZE	COLOR CODE	MATERIAL FINISH	PART NO
100	LOOSE PIECE, BOX	18	.056-.110	18	WHITE	4	9-52273-1
100	LOOSE PIECE, BOX	20	.046-.110	20	RED		8-52273-1
500	LOOSE PIECE	18	.056-.110	18	WHITE	4	52273-2
500	LOOSE PIECE	20	.046-.110	20	RED		52273-1
500	LOOSE PIECE	22	.038-.110	22	GREEN		52273

CUSTOMER SERVICE SYSTEMS		MAX RECOMMENDED OPERATING TEMPERATURE: 105°C MAX
FOR ADDITIONAL PRODUCT INFORMATION OR COPIES OF DRAWINGS AND TECHNICAL DOCUMENTS	PRODUCT INFORMATION CENTER 1-800-522-6752	VOLTAGE RATING: 300 V MAX
FOR APPLICATION TOOLING INFORMATION	TOOLING ASSISTANCE CENTER 1-800-722-1111	CIRCULAR MIL AREA: 0.26-1.65mm² [509-3,260] STRANDED OR SOLID
FOR ORDER ENTRY	1-800-526-5142	THIS DRAWING IS A CONTROLLED DOCUMENT FOR AMP INCORPORATED. IT IS SUBJECT TO CHANGE AND THE CONTROLLING ENGINEERING ORGANIZATION SHOULD BE CONTACTED FOR THE LATEST REVISION.

THIS DRAWING IS A CONTROLLED DOCUMENT.		DWN JR RUTH 13JAN10	TE Connectivity				
DIMENSIONS: INCHES		CHK T MICHIELUTTI 13JAN10					
TOLERANCES UNLESS OTHERWISE SPECIFIED:		APVD T MICHIELUTTI 13JAN10	NAME TERMINAL, RING TONGUE, PIDG, INSULATION RESTRICTING, WIRE SIZE: 22-16 AWG				
0 PLC ± - 1 PLC ± - 2 PLC ± - 3 PLC ± .008 4 PLC ± - ANGLES ± -		PRODUCT SPEC -	SIZE A3	CAGE CODE 00779	DRAWING NO C-52273	RESTRICTED TO -	
MATERIAL SEE TABLE	FINISH SEE TABLE	WEIGHT -	CUSTOMER DRAWING		SCALE 5:1	SHEET 1 OF 1	REV N