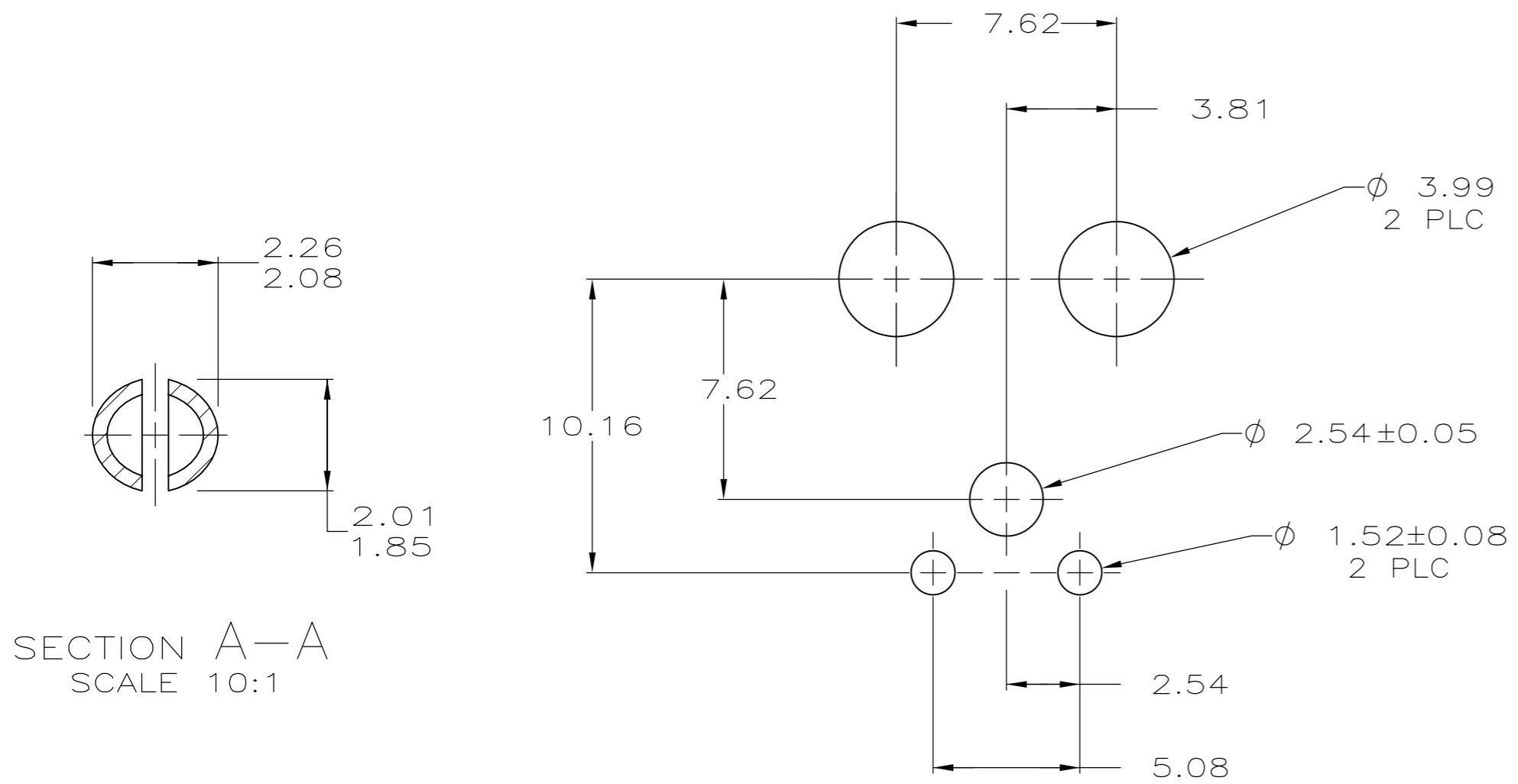
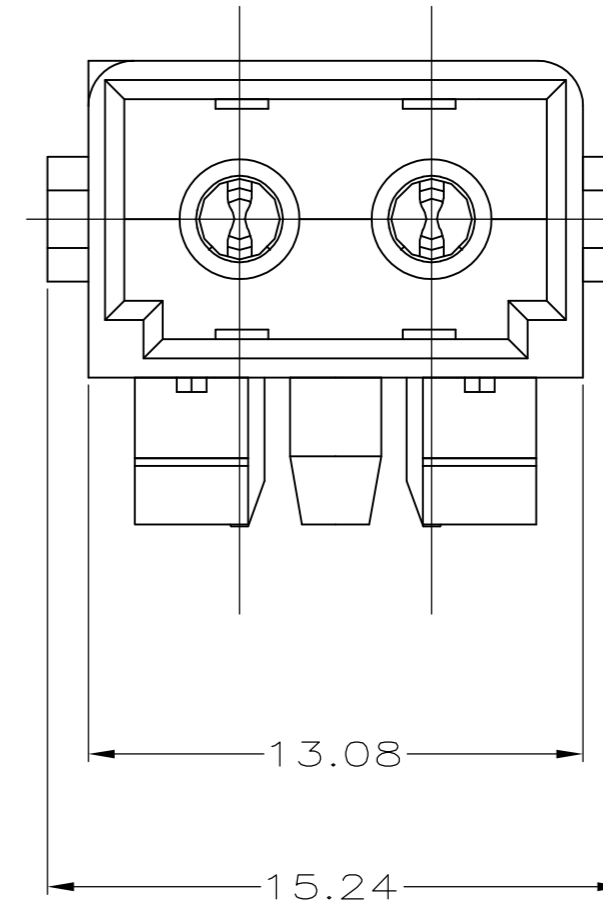
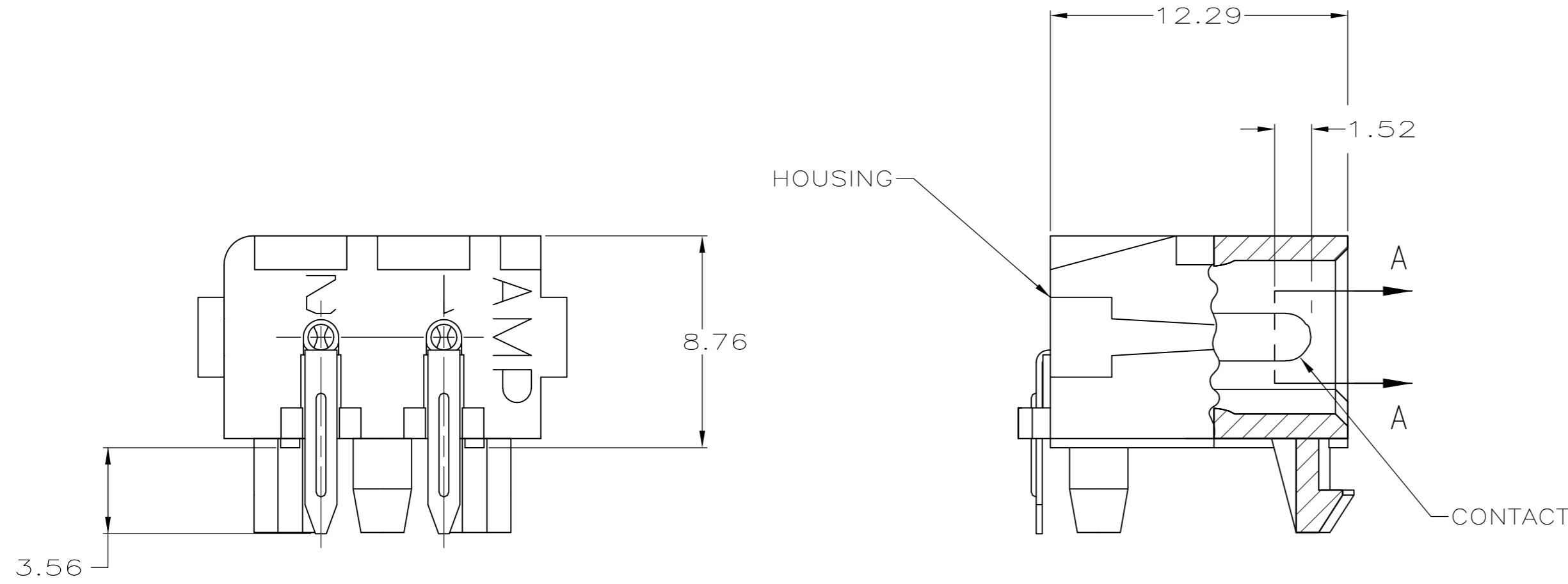


THIS DRAWING IS UNPUBLISHED. RELEASED FOR PUBLICATION
 © COPYRIGHT BY TYCO ELECTRONICS CORPORATION. ALL INTERNATIONAL RIGHTS RESERVED.

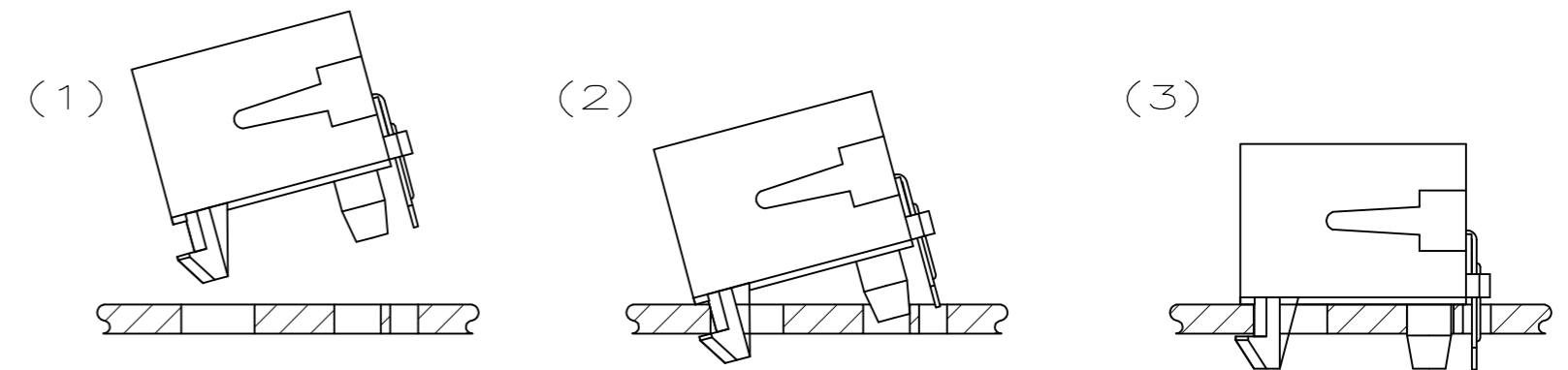
LOC	DIST	REVISIONS					
CM	53	P	LTR	DESCRIPTION	DATE	DWN	APVD
		C		REVISED PER ECO-09-006627	18MAR09	HMR	MS

- PARTS COMPLY WITH AMP SOLDERABILITY SPEC. 109-11-3.
- RECOMMENDED EXPOSURE TO SOLDER WAVE (254° C, 490°F) NOT TO EXCEED 5 SECONDS.



SECTION A-A
SCALE 10:1

RECOMMENDED MOUNTING HOLE PATTERN FOR 1.58 THICK P.C. BOARD

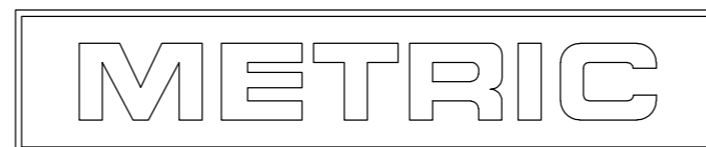


MOUNTING PROCEDURE

COPPER ALLOY	PRE-TIN	NYLON, UL94V-0	NATURAL	794120-2
COPPER ALLOY	PRE-TIN	NYLON, UL94V-2	NATURAL	794120-1
MATERIAL	FINISH	MATERIAL	COLOR	PART NO
CONTACT		HOUSING		

2.01	.079	5.08	.200	-	-
1.85	.073	3.99	.157	15.24	.600
1.58	.062	3.81	.150	13.08	.515
1.52	.060	3.56	.140	12.29	.484
0.38	.015	2.54	.100	10.16	.400
0.08	.003	2.26	.089	8.76	.345
0.05	.002	2.08	.082	7.62	.300
MM	IN	MM	IN	MM	IN

CONVERSION TABLE



THIS DRAWING IS A CONTROLLED DOCUMENT.

DIMENSIONS: mm	TOLERANCES UNLESS OTHERWISE SPECIFIED:	DWN B. LEWIS 4-25-96	Tyco Electronics Corporation Harrisburg, PA 17105-3608
	0 PLC ± -	CHK R. SWING 4-25-96	
	1 PLC ± -	APVD C. MARTIN 4-25-96	
	2 PLC ± 0.38	PRODUCT SPEC	
MATERIAL SEE TABLE	FINISH SEE TABLE	APPLICATION SPEC	NAME
		WEIGHT -	CONNECTOR ASSEMBLY, P.C. HEADER, RIGHT ANGLE MOUNT, COMMERCIAL MATE-N-LOK
		CUSTOMER DRAWING	SIZE A2 CAGE CODE 00779 DRAWING NO C=794120 RESTRICTED TO -
			SCALE 5:1 SHEET 1 OF 1 REV C