

THIS DRAWING IS UNPUBLISHED.

RELEASED FOR PUBLICATION

ALL RIGHTS RESERVED.

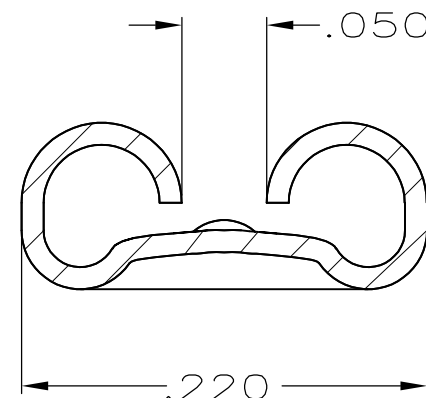
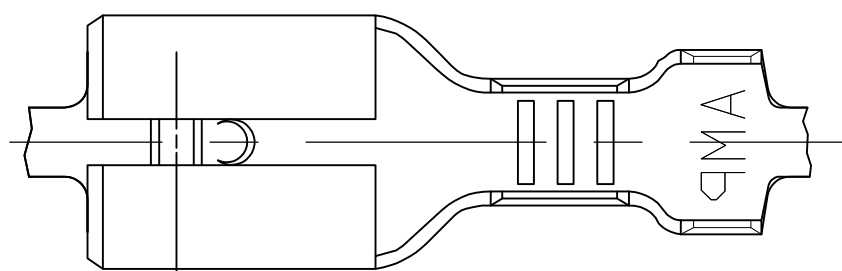
© COPYRIGHT - By -

LOC AF DIST 50

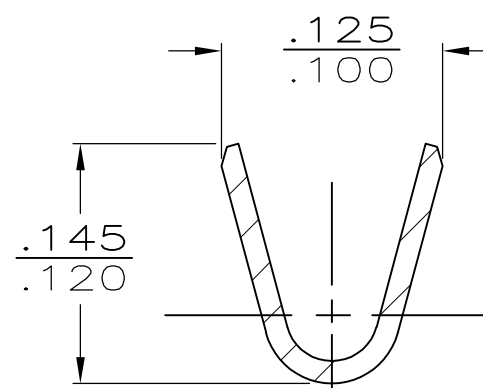
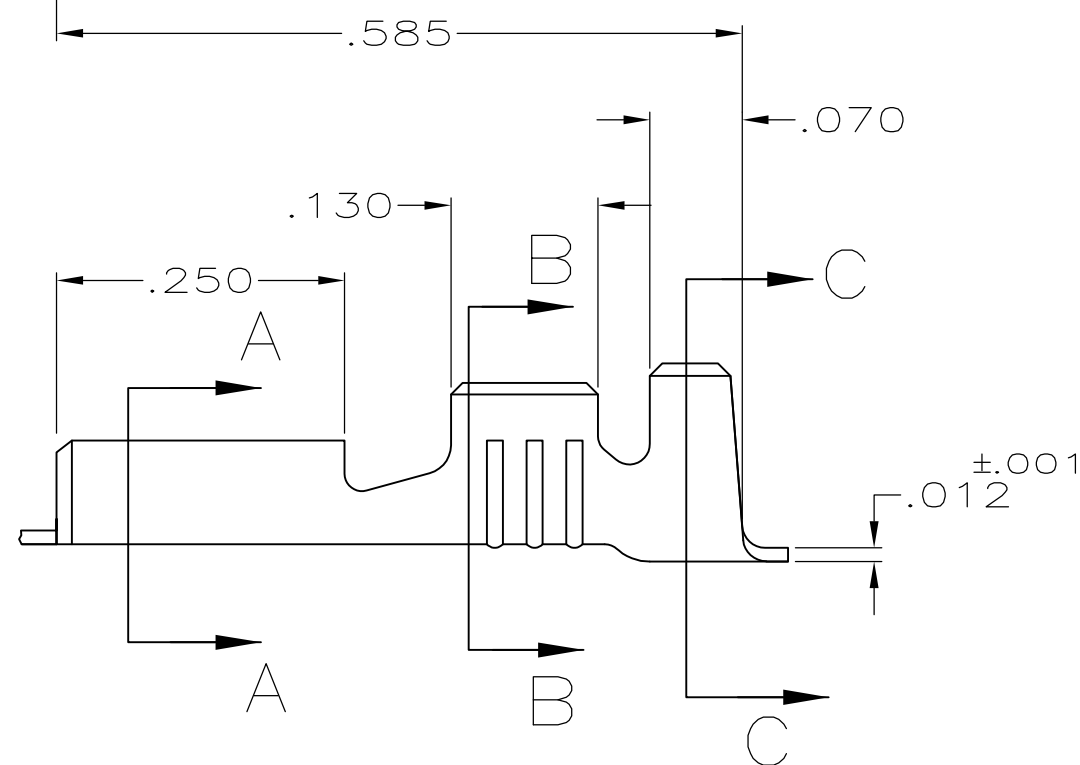
REVISIONS

P	LTR	DESCRIPTION	DATE	DWN	APVD
	U2	REV PER ECO 13-010686	27JUN13	JR	PD

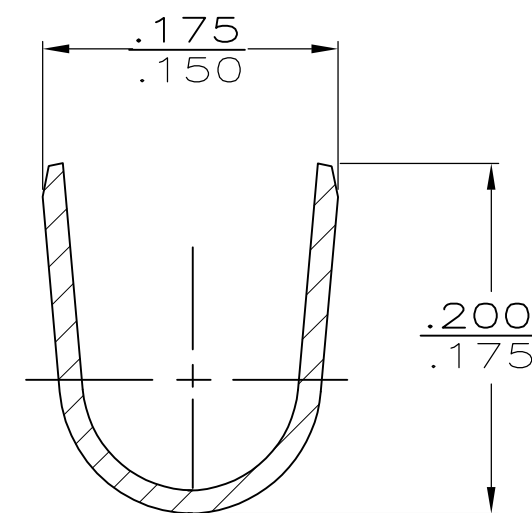
- 1 CONTINUOUS STRIP ON REELS
- 2 MATING TAB THK IS $.020 \pm .001$
- 3 WIRE SIZE IS #20-#16 AWG
- 4 INSULATION RANGE IS $.090 - .130$ DIA



SECTION A-A
SCALE 8:1



SECTION B-B
SCALE 8:1



SECTION C-C
SCALE 8:1

OBSOLETE	TIN	#4H PH BRZ	42617-4
OBSOLETE	-		42617-3
	TIN	BRASS	42617-2
	-		42617-1
FINISH	MATERIAL	PART NO.	

THIS DRAWING IS A CONTROLLED DOCUMENT.		DWN JR RUTH 10/27/89	TE Connectivity											
DIMENSIONS: INCHES		CHK MS FEHER 10/27/89												
TOLERANCES UNLESS OTHERWISE SPECIFIED:		APVD C MEYERS 10/27/89												
<table border="0"> <tr><td>0 PLC</td><td>± -</td></tr> <tr><td>1 PLC</td><td>± -</td></tr> <tr><td>2 PLC</td><td>± -</td></tr> <tr><td>3 PLC</td><td>± .015</td></tr> <tr><td>4 PLC</td><td>± -</td></tr> <tr><td>ANGLES</td><td>± -</td></tr> </table>		0 PLC			± -	1 PLC	± -	2 PLC	± -	3 PLC	± .015	4 PLC	± -	ANGLES
0 PLC	± -													
1 PLC	± -													
2 PLC	± -													
3 PLC	± .015													
4 PLC	± -													
ANGLES	± -													
MATERIAL SEE TABLE		FINISH SEE TABLE	RECEPTACLE, FASTON, .187 SERIES											
SEE TABLE		SEE TABLE	SIZE A3	CAGE CODE 00779										
			DRAWING NO C-42617	RESTRICTED TO -										
			CUSTOMER DRAWING	SCALE 6:1 SHEET 1 OF 1 REV U2										