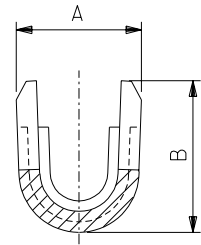


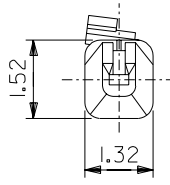
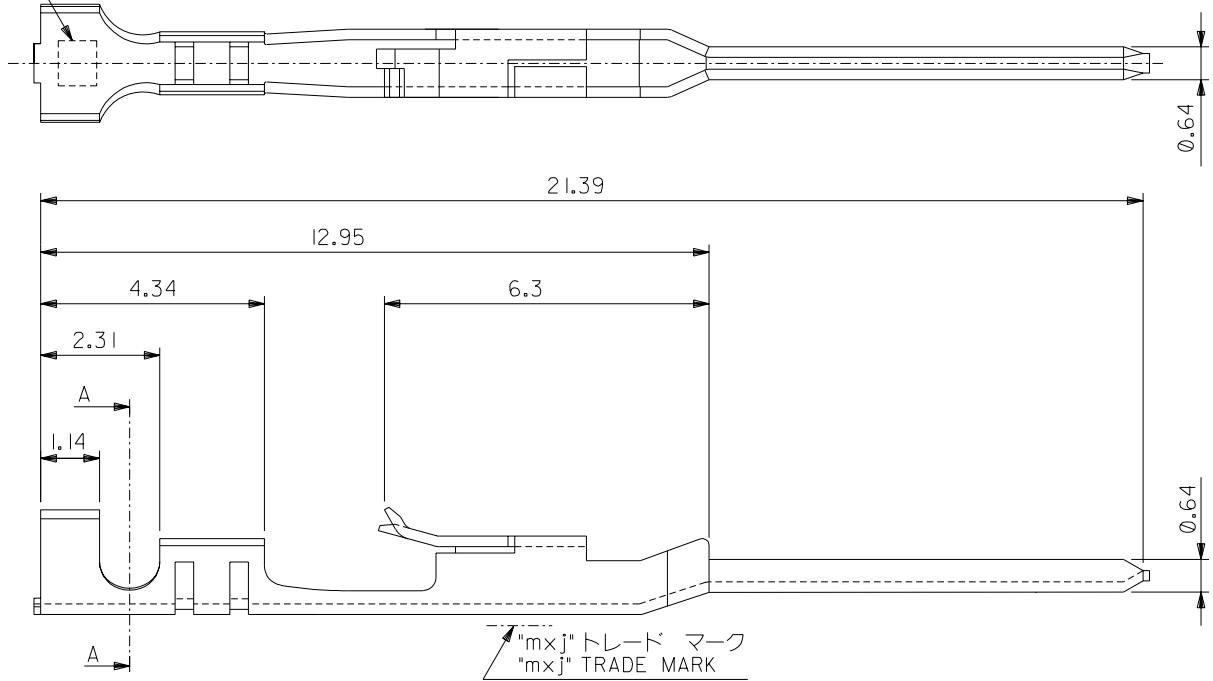
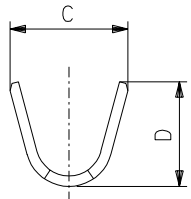
ENG. NO. 0*04
SD-70021-0*21

EDP NO. #

適用電線表示
CRIMP SIZE CODE LETTER



断面 A-A
SECTION A-A
(SCALE:20-1)



注記:
NOTES:

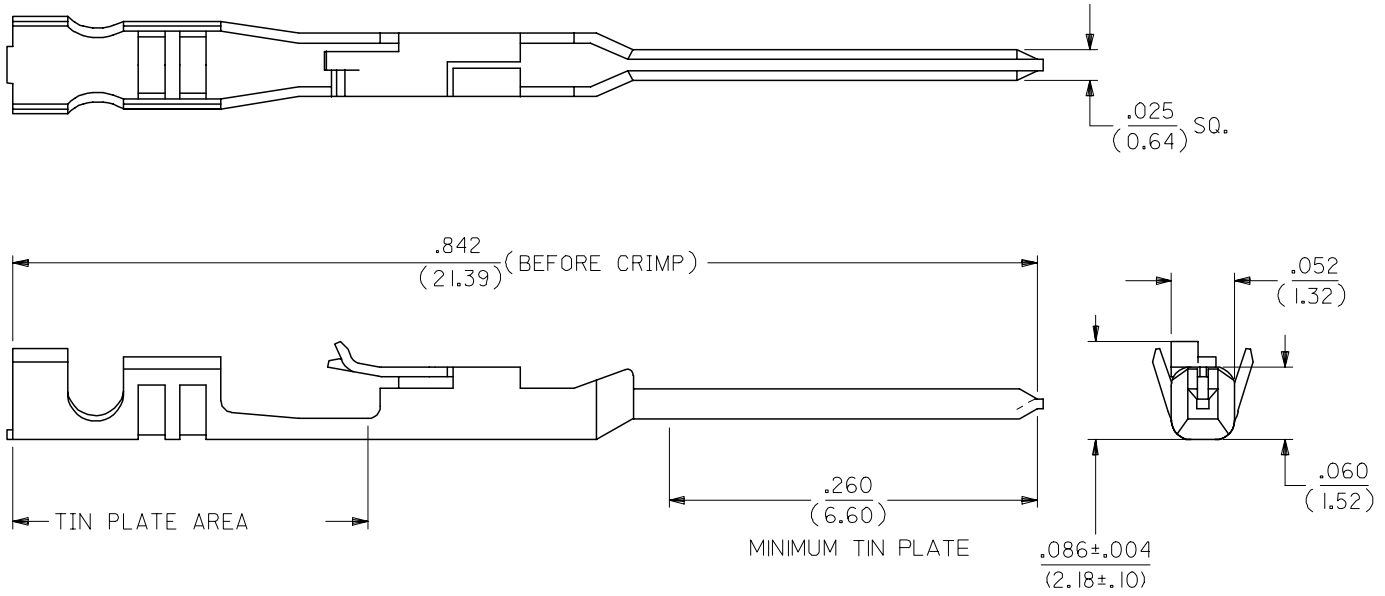
- 適合ハウジング: 70066-****, 70107-****
APPLICABLE HOUSING: 70066-****, 70107-****
- 仕上げ ニッケル下地、錫メッキ
FINISH TIN OVER NICKEL PLATING

1.91	2.1	1.47	1.22	A	適用電線表示 CRIMP SIZE CODE LETTER	被覆外径 INS. RANGE	適用電線範囲 WIRE RANGE	バラ状 LOOSE	70021-0204
1.91	2.1	1.65	1.84	C				AWC#24-#30	連鎖状 CHAIN
D	C	B	A					バラ状 LOOSE	70021-0221
								連鎖状 CHAIN	70021-0021
								端子形状 FORM	MATERIAL No.
材料 MATERIAL						磷青銅 PHOSPHOR BRONZE	MOLEX-JAPAN CO.,LTD. 日本モレックス株式会社		
仕上げ FINISH						注記参照 SEE NOTES	EDP. NO. #		
角度 ANGLE						適用電線範囲 WIRE RANGE	表参照 SEE CHART		
30以上 OVER						被覆外径 INS. RANGE	表参照 SEE CHART		
10以上 30未満 OVER UNDER						DR. DATE	TITLE 名称 SL MALE CRIMP TERMINAL -LEAD FREE-		
10未満 UNDER						DR. CHK. DATE	REV B		
一般公差 GENERAL TOLERANCES						REVISION RECORD	SCALE 10-1		

DIMENSIONS IN METRIC DO NOT SCALE DRAWING

S70021(SN.DWG)

10 9 8 7 6 5 4 3 2 1



NOTES:

1. TERMINAL FOR USE WITH HOUSING PART NO. 70066-**** & 70107-****.
2. MATERIAL: .008/(0.20) THK. PHOSPHOR BRONZE.
3. TERMINAL TO BE USED WITH 22-24 AWG STRANDED WIRE WITH .064 DIA. MAX. INSULATION.
4. REFER TO MOLEX OPERATIONAL AND SERVICE MANUAL FOR DETAILS.
5. REFER TO PRODUCT SPECIFICATION NO. PSX70021.
6. PARTS SUPPLIED LOOSE PER DRAWING PK-70873-0822.

*THE PRIMARY SHIPPING CARTON WILL BE LABELED "COMPLIANT TO RoHS DIRECTIVE 2002/95/EC AND ELV ANNEX II OF DIRECTIVE 2000/53/EC". CARTONS WITHOUT THIS LABEL MAY CONTAIN PRODUCT WITH LEAD.

PLATING:

.000150 MIN. TIN PLATE OVER NICKEL PLATE.

MODIFY PLATE CALLOUT EC NO: UCP2006-2279 DRWN:MSIBARRA 2006/04/04 CHKD:DMORGAN 2006/04/04 APPR:SMILLER 2006/04/04	QUALITY SYMBOLS	GENERAL TOLERANCES (UNLESS SPECIFIED)		DIMENSION STYLE IN/MM		SCALE 10:1	DESIGN UNITS INCH	THIRD ANGLE PROJECTION
	▽=0 ▽=0	mm	INCH	DRAWN BY WJF	DATE 1986/10/30	TITLE TERMINAL, MALE CRIMP		
		4 PLACES ± --- ± ---	3 PLACES ± --- ± .010	CHECKED BY MJM	DATE 1986/10/30	MOLEX INCORPORATED		
		2 PLACES ± 0.25 ± .015	1 PLACE ± 0.35 ± ---	APPROVED BY WAZ	DATE 1986/10/30	MATERIAL NO. 16-02-0114	DOCUMENT NO. SD-70021-0221	SHEET NO. 1 OF 1
		ANGULAR ±1/2°	DRAFT WHERE APPLICABLE MUST REMAIN WITHIN DIMENSIONS		THIS DRAWING CONTAINS INFORMATION THAT IS PROPRIETARY TO MOLEX INCORPORATED AND SHOULD NOT BE USED WITHOUT WRITTEN PERMISSION			

9 8 7 6 5 4 3 2 1