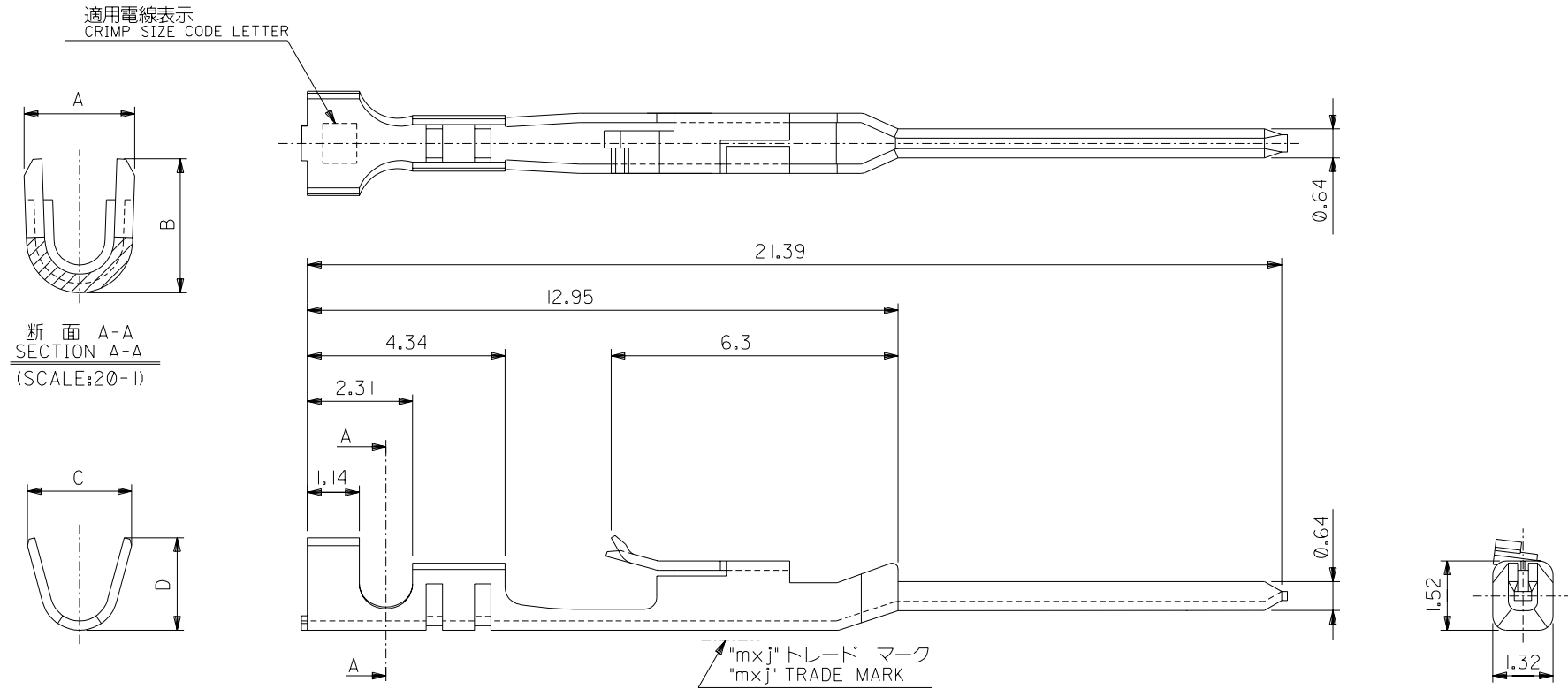


DIMENSIONS IN METRIC DO NOT SCALE DRAWING

ENG. NO. 0*04
SD-70021-0*21

EDP NO. #



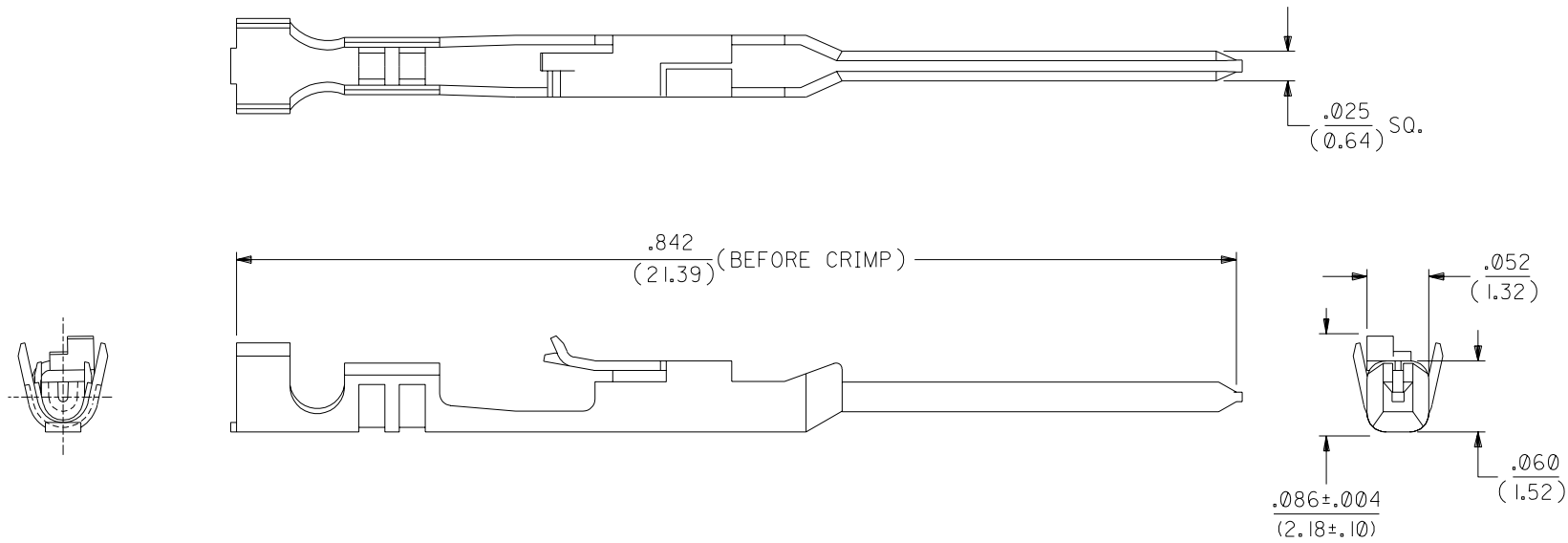
注記:
NOTES:

- 適合ハウジング: 70066-****, 70107-****
APPLICABLE HOUSING: 70066-****, 70107-****
- 仕上げ ニッケル下地、錫メッキ
FINISH TIN OVER NICKEL PLATING

1.91	2.1	1.47	1.22	A	適用電線表示 CRIMP SIZE CODE LETTER	被覆外径 INS. RANGE	適用電線範囲 WIRE RANGE	バラ状 LOOSE	70021-0204
1.91	2.1	1.65	1.84	C				AWC#24-#30	連鎖状 CHAIN
D	C	B	A					バラ状 LOOSE	70021-0221
								連鎖状 CHAIN	70021-0021
								端子形状 FORM	MATERIAL No.
材料 MATERIAL								燐青銅 PHOSPHOR BRONZE	
								t 0.203	
仕上げ FINISH								注記参照 SEE NOTES	
適用電線範囲 WIRE RANGE								表参照 SEE CHART	
被覆外径 INS. RANGE								表参照 SEE CHART	
DRAWN BY A. Mitake								CHK'D BY A.A.	
APP'D BY S. Yamada								M. 8/80	
REVISION RECORD								尺度 SCALE 10-1	
REVISION RECORD								TITLE 名称 SL MALE CRIMP TERMINAL -LEAD FREE-	

角度 ANGLE	+3°	B	変更 REVISED (J2004-4519)	Y.W.	M.S.	04/05/31
30以上 OVER	+0.3	A	変更 REVISED (T20159)	H.I.	H.I.	19/5/20
10以上 OVER	+0.25	0	新規作成 RELEASED (T00110)	N.M.	M.S.	19/4/6
10未満 UNDER	+0.2	記号 LTR	変更内容 REVISION RECORD	DR. CHK.	日付 DATE	
一般公差 GENERAL TOLERANCES		REVISE ONLY ON CAD SYSTEM				

THIS DRAWING CONTAINS INFORMATION THAT IS PROPRIETARY TO MOLEX(JAPAN) AND SHOULD NOT BE USED WITHOUT WRITTEN PERMISSION
本図面は日本モレックス(株)の所有する情報を含むもので 当社の許可なく複製を禁止する。



NOTES:

1. TERMINAL FOR USE WITH HOUSING PART NO. 70066-**** & 70107-****.
2. MATERIAL: .008/(0.20) THK. PHOSPHOR BRONZE.
3. TERMINAL TO BE USED WITH 24-30 AWG STRANDED WIRE WITH .060 DIA. MAX. INSULATION.
4. REFER TO MOLEX OPERATIONAL AND SERVICE MANUAL FOR DETAILS.
5. REFER TO PRODUCT SPECIFICATION NO. PS-70021.
6. PARTS SUPPLIED LOOSE PER DRAWING PK-70873-0822.

PLATING:

.000150 MIN. TIN PLATE
OVER NICKEL PLATE.

*THE PRIMARY SHIPPING CARTON WILL BE LABELED "COMPLIANT TO RoHS DIRECTIVE 2002/95/EC AND ELV ANNEX II OF DIRECTIVE 2000/53/EC". CARTONS WITHOUT THIS LABEL MAY CONTAIN PRODUCT WITH LEAD.

D	LEAD FREE UCP2004-1769 RWHITE 04/03/15
C2	REVISED PER ECR #U80270 MCGRATH 97/07/31
C1	REVISED PER ECR #U70928 MCGRATH 97/06/26
C	164 PLTG. WAS 102 PER ECR # U31149 08/19/93 REED
B	REDRAWN ON CAD PER ECR # 9509 11/10/86 WJF/MJM

MFG. SH.	REV.	LTR.	REVISIONS
----------	------	------	-----------

DIMENSIONS SHOWN (METRIC) INCH		▽ = 0 ▼ = 0		REVISE ONLY ON CAD SYSTEM	
UNLESS OTHERWISE SPECIFIED TOLERANCES: ANGULAR ± 1/2°					
		INCH		METRIC	
3 PLACE	± .010	---			
2 PLACE	± .015	± 0.25			
1 PLACE	---	± 0.35			
DRAFT WHERE APPLICABLE MUST REMAIN WITHIN DIMENSIONS					
TITLE		TERMINAL, MALE CRIMP			
MOLEX INCORPORATED LISLE, ILL. 60532 U.S.A.		SHEET NO. 1		DATE 10/30/86	
PART NO. 16-02-0108		DRWG. NO. SD-70021-0204			
FILE NAME S70021X4 DGN	THIS DRAWING CONTAINS INFORMATION THAT IS PROPRIETARY TO MOLEX INC. AND SHOULD NOT BE USED WITHOUT WRITTEN PERMISSION.		DIV. DA	SIZE B	