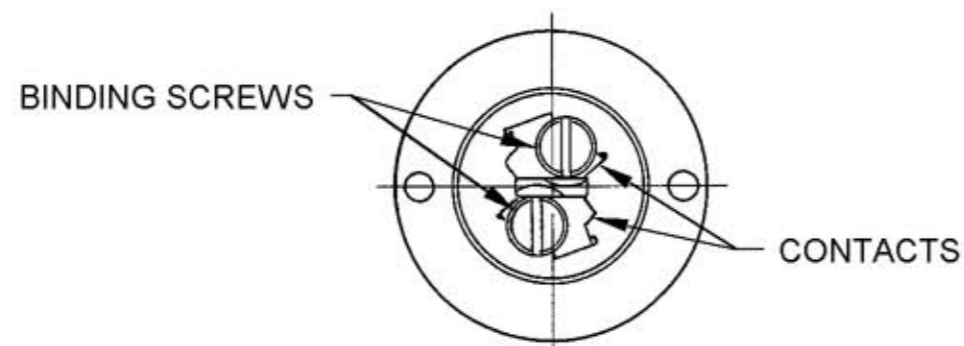
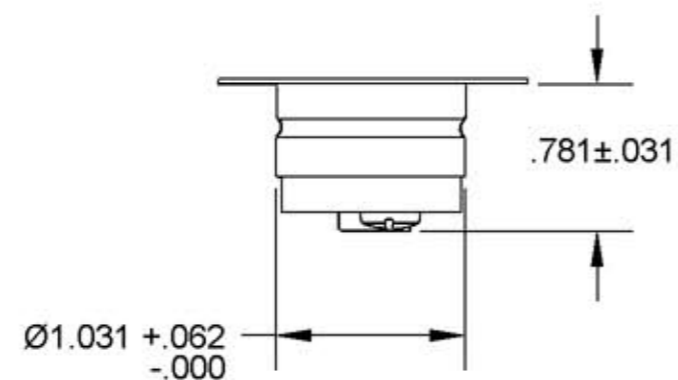
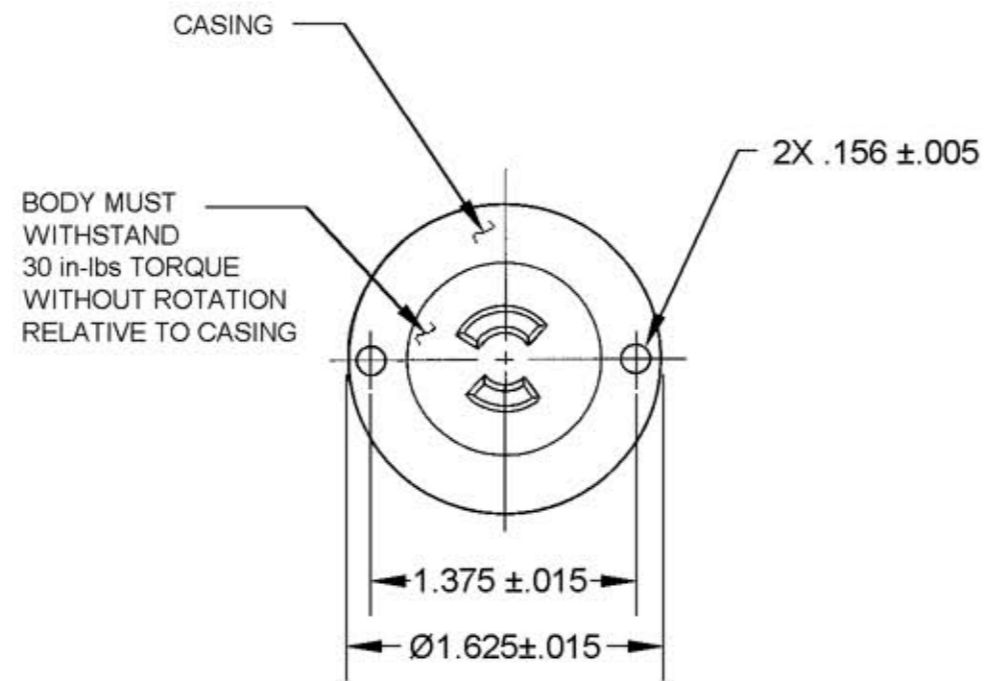


M-1477 4



LIST OF PARTS

DESCRIPTION	MATERIAL	FINISH
(2) MOUNTING SCREWS	BRASS	NICKEL PLATED
BODY	PHENOLIC	
#5-40 UNC BINDING SCREW	BRASS	
#5-40 UNC BINDING SCREW	BRASS	NICKEL PLATED
CONTACT	BRONZE	
CONTACT	BRONZE	NICKEL PLATED
CASING	STAINLESS STL	POLISHED FACE

SUPERSEDES DWG. DATED 2/12/54

SYM	REVISIONS	APP	DATE
4	REDRAWN ON NEW DRAWING FORMAT. CONVERTED FRACTIONS TO DECIMALS. PARTS LIST, CASING, STAINLESS STL WAS BRASS. ADDED CALLOUTS FOR CASING, BODY, BINDING SCREWS AND CONTACTS. PER DCN 14376 SPN	DJP	11/13/07

THE DESIGN AND DIMENSIONS OF THE PRODUCT SHOWN ON THIS DRAWING ARE SUBJECT TO CHANGE WITHOUT NOTICE

TITLE
 DIMENSION SHEET FOR CATALOG HBL7468

TOLERANCES UNLESS OTHERWISE SPECIFIED FRACTIONS ±1/64 DECIMALS ±.005 ANGLES ±2°	WIRING DEVICE—KELLEMS HUBBELL INCORPORATED BRIDGEPORT, CT	
	DR. BY A S	APP. BY DJP
	TR. BY SPN	SCALE FULL
	CHK'D BY A S	DATE 11/13/07

DIMENSION SHEET FOR CAT. NO.

REPAIRABLE

NON-REPAIRABLE

B

M-1477

4