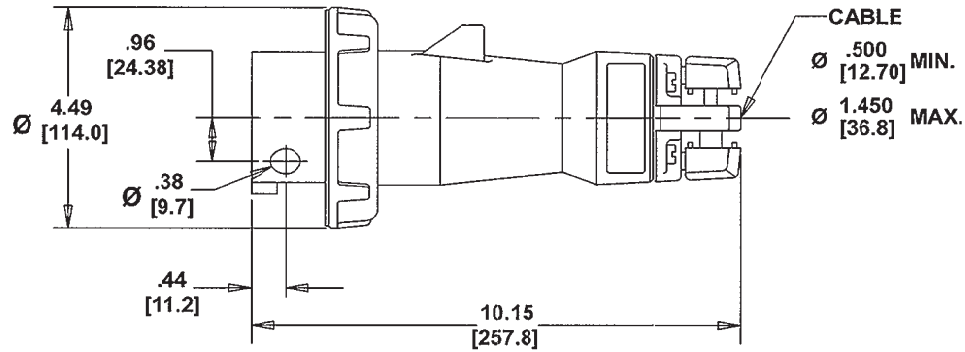
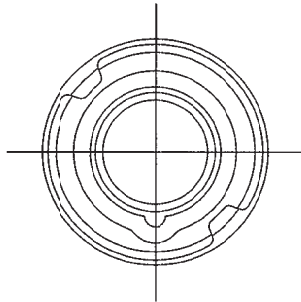


# M-6091 8



LIST OF PARTS		
DESCRIPTION	MATERIAL	FINISH
HOUSING	SEE TABLE	
GASKET	NEOPRENE	
LOCK RING	POLYESTER	
INTERIOR	THERMOSET	
PINS	BRASS	
TERMINAL SCREWS	ST. STEEL	
GLAND CAP	POLYESTER	
GLANDS	NEOPRENE	
CLAMPS	POLYESTER	
CLAMP NUTS	BRASS	NICKEL
ASSEMBLY SCREWS	ST. STEEL	

REV	DESCRIPTION	APP	DATE
8	ADDED CAT. # HBL560P6V02 AND SPECS TO TABLE. PER DCN 18899 DDL	CAC <i>dlc</i>	04/24/12
7	ADDED CAT # HBL560P6W TO TABLE PER DCN 17478. MYA	TLS	3/11/11
6	REDRAWN ON CAD WITH CHANGES. ADDED "HOUSING" AND "COMMENTS" COLUMNS TO TABLE, HOLE AND DIM.S TO VIEW, AND NOTES 1 & 2. IN TABLE, ADDED 240/415 VAC TO CAT. NO. HBL563P6W AND "A" WAS "AMP". IN LIST OF PARTS, "SEE TABLE" WAS "NYLON" AND "NEOPRENE" WAS "RUBBER" IN (2) PLACES; "CABLE Ø.500[12.7] MIN./Ø1.450 [36.8] MAX" WAS "CABLE DIA. 1.00/25.4MM MIN 1.43/36.32 MAX". "Ø" WAS "DIA." AND "[X.X]" WAS "MM". SUPERSEDES DRAWING DATED 4/28/80 PER DCN #12344. JMN	DJP	6/28/06

CAT. NO.	CONFIGURATION	RATING	COMMENTS	HOUSING		CAT. NO.	CONFIGURATION	RATING	COMMENTS	HOUSING	
				MATERIAL	COLOR					MATERIAL	COLOR
						HBL560P6W		60A 3ØY 200/346 VAC 240/415 VAC		NYLON	RED
						HBL560P7W		60A 3ØY 277/480 VAC		NYLON	RED
						HBL560P9W		60A 3ØY 120/208 VAC		NYLON	BLUE
HBL560P5W		60A 3ØY 347/600 VAC								NYLON	BLACK
HBL563P6W		63A 220/380VAC 240/415 VAC								NYLON	RED
HBL560P6V02		60A 3ØY 200/346 VAC 240/415 VAC								VALOX	RED

NOTES (UNLESS OTHERWISE SPECIFIED)  
 1) TOLERANCES ARE:  
 DECIMALS ± .03  
 ANGLES ± 2°  
 2) DIMENSIONS ARE:  
 INCHES  
 [MILLIMETERS]

THE DESIGN AND DIMENSIONS OF THE PRODUCT SHOWN ON THIS DRAWING ARE SUBJECT TO CHANGE WITHOUT NOTICE

TITLE  
**60A & 63A 4 POLE 5 WIRE PIN AND SLEEVE PLUGS**

TOLERANCES UNLESS OTHERWISE SPECIFIED	WIRING DEVICE—KELLEMS HUBBELL INCORPORATED BRIDGEPORT, CT	
FRACTIONS ± 1/64	DR. BY <b>MJK</b>	APP. BY <b>DJP</b>
DECIMALS ± .005	TR. BY <b>JMN</b>	SCALE <b>NONE</b>
ANGLES ± 2°	CHK'D BY <b>DJP</b>	DATE <b>6/28/06</b>