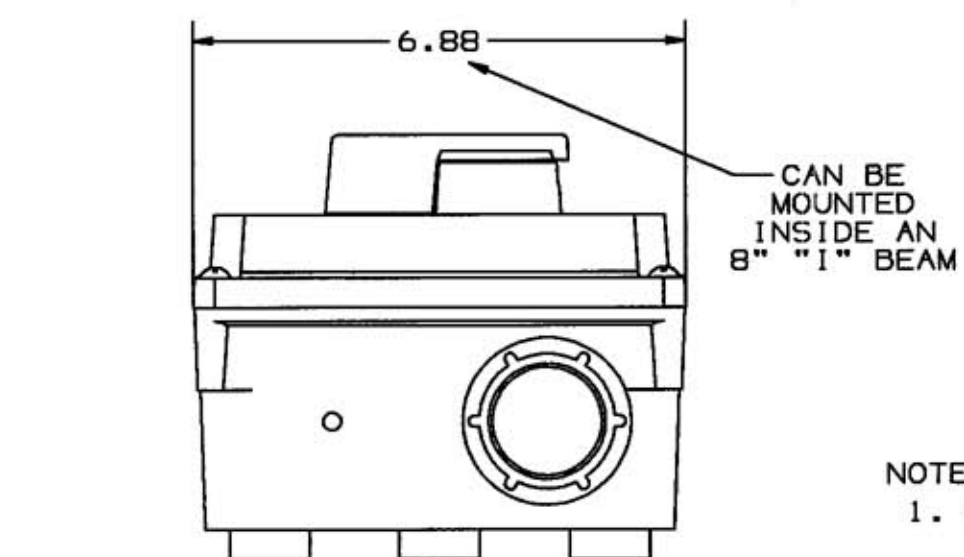
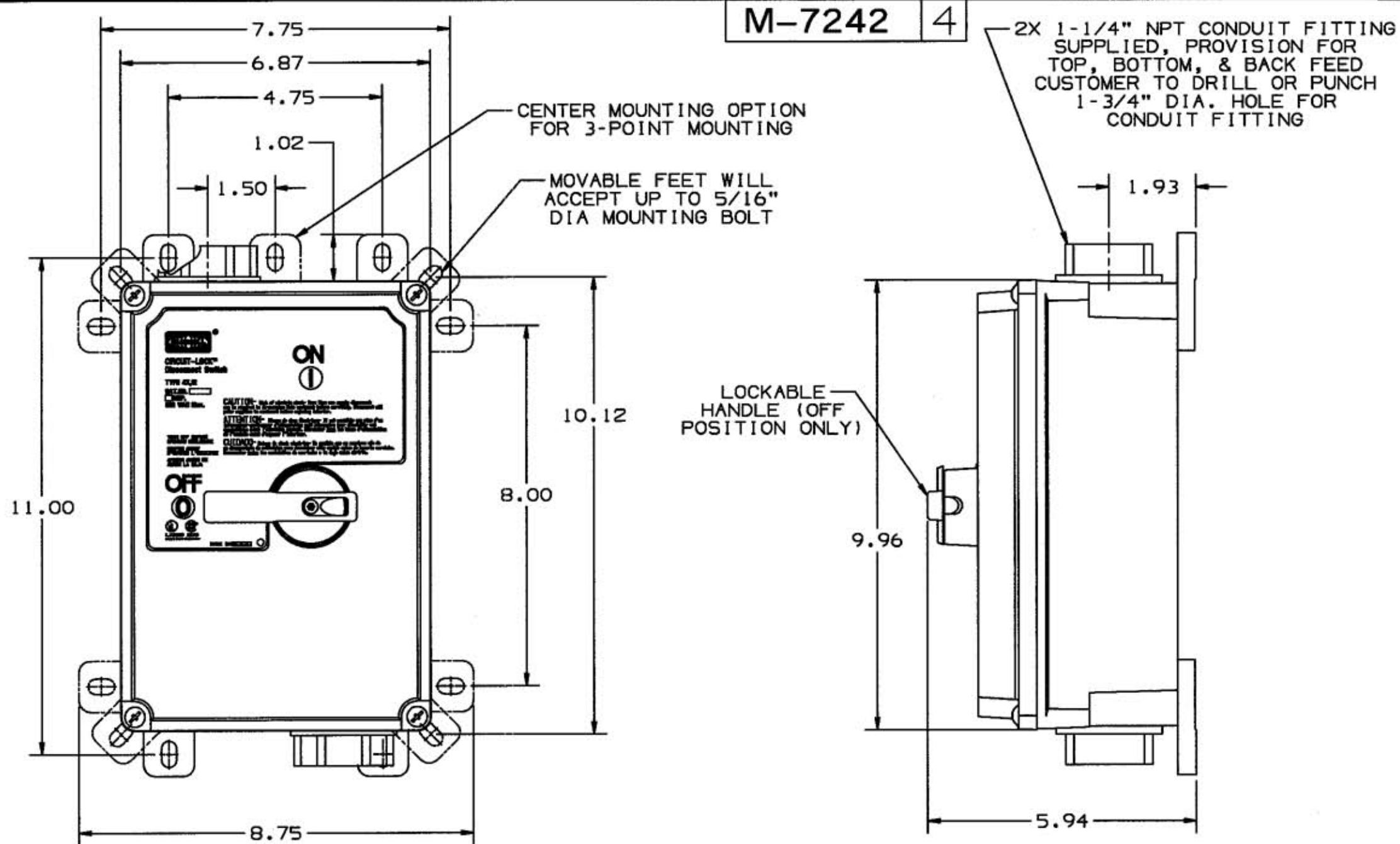


M-7242 4



CATALOG NO.'S		CATALOG NO.'S	
HBLDS6	HBLDS10	HBLDS10	HBLDS10AC (AUXILIARY CONTACT)
HBLDS6AC (AUXILIARY CONTACT)		HBLDS10AC (AUXILIARY CONTACT)	
60 AMP	600 VAC	100 AMP	600 VAC
7.5 HP (5.6kw)	120 VAC 1 ϕ	7.5 HP (5.6kw)	120 VAC 1 ϕ
15 HP (11.19 kw)	200-240 VAC 1 ϕ	15 HP (11.19 kw)	200-240 VAC 1 ϕ
30 HP (22.37 kw)	480 VAC 1 ϕ	30 HP (22.37 kw)	480 VAC 1 ϕ
30 HP (22.37 kw)	200-240 VAC 3 ϕ	30 HP (22.37 kw)	200-240 VAC 3 ϕ
50 HP (37.28 kw)	480 VAC 3 ϕ	50 HP (37.28 kw)	480 VAC 3 ϕ
50 HP (37.28 kw)	600 VAC 3 ϕ	50 HP (37.28 kw)	600 VAC 3 ϕ

NOTES:
1. ENCLOSURE TYPE 4X & 12

LIST OF PARTS

DESCRIPTION	MATERIAL	FINISH
ALL EXTERNAL	UV	
PLASTIC PARTS	STABILIZED	
	POLYESTER	
	BLEND	
ALL EXTERNAL	STAINLESS	
SCREWS	STEEL	
THREADED HUB	DIE CAST	
INSULATED THROAT	ZINC	

REV	DESCRIPTION	APP	DATE
4	REVISED TABLE; HP & VOLTAGE REVISED PER DCH #13825 RCM	TLS	1/26/07
3	TITLE RELOCATED ON NEW BORDER FORMAT TABLE UPDATE TO INCLUDE 100A PER DCH #3012 RCM	PJT	9/14/94
2	NEW DRAWING RELEASED FOR PRODUCTION PER DCH # 2937, JMN PJT		5/24/94
1	"X" REMOVED; LAST X-REVISION WAS X-1 PER EC #2581-1, JMN		4/13/94

THE DESIGN AND DIMENSIONS OF THE PRODUCT SHOWN ON THIS DRAWING ARE SUBJECT TO CHANGE WITHOUT NOTICE

TITLE
DIMENSION SHEET FOR
60A & 100A CIRCUIT LOCK™
DISCONNECT SWITCHES

TOLERANCES UNLESS OTHERWISE SPECIFIED	WIRING DEVICE-KELLEMS HUBBELL INCORPORATED BRIDGEPORT, CT	
FRACTIONS ± 1/64	DR. BY JMN	APP. BY PJT
DECIMALS ± .005	TR. BY	SCALE
ANGLES ± 2'	CHK'D BY PJT	DATE 3/23/94

DIMENSION SHEET FOR CAT. NO. SEE TABLE

REPAIRABLE

NON-REPAIRABLE

B

M-7242

4