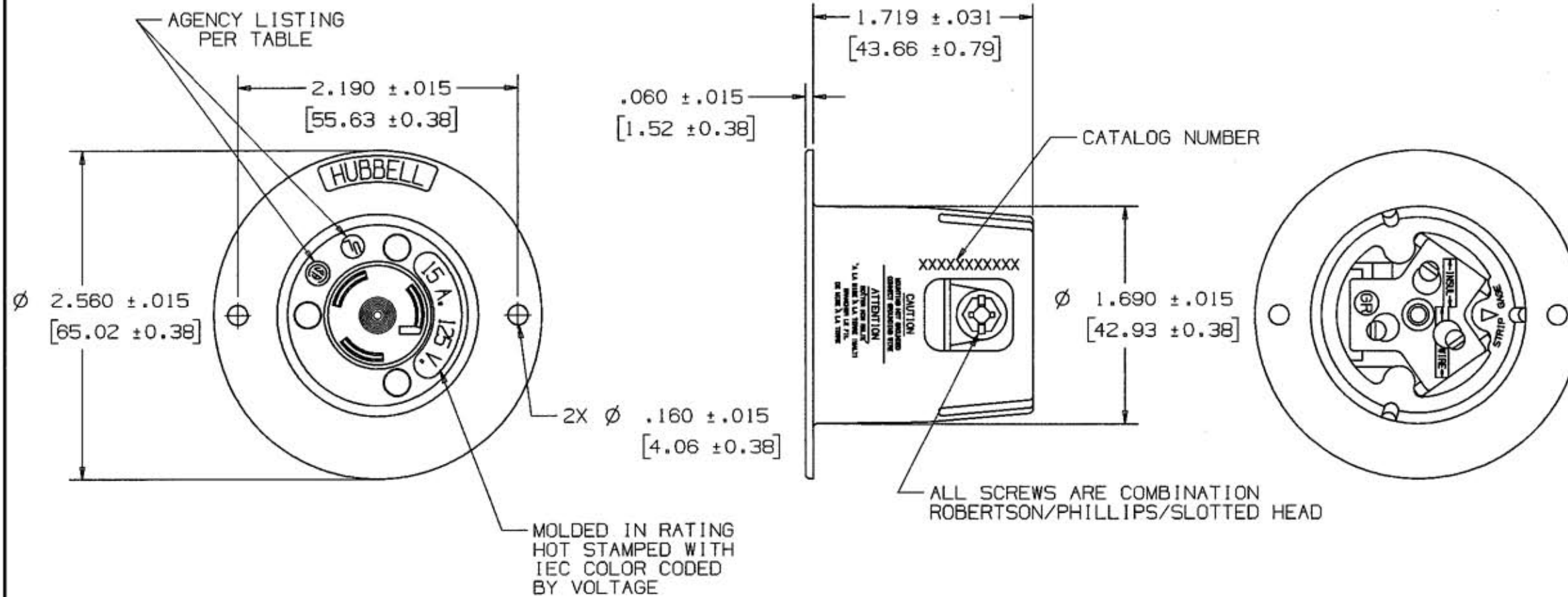


M-7147 6



CAT. NO.	CONFIGURATION	RATING	IEC COLOR RATING	UL	CSA
HBL4716C	NEMA L5-15P	15A. 125V.	YELLOW	YES	YES
HBL4586C	NEMA L6-15P	15A. 250V.	BLUE	YES	YES
HBL4786C	NEMA L7-15P	15A. 277VAC	GRAY	YES	YES

LIST OF PARTS		
DESCRIPTION	MATERIAL	FINISH
BLADE HOLDER	NYLON	NATURAL
RETAINER	POLYCARBONATE	CLEAR
CASING	NYLON	NATURAL
WIRE CLAMPS	.062 CRS	NICKEL PL
CONTACT BLADES	.060 BRASS	*
BINDING SCREWS	BRASS	*
GROUND HEX HEAD BINDING SCREW	BRASS	GREEN
MTG. SCREWS	BRASS	NICKEL PL
ASSEM FASTENERS	STEEL	ZINC PL
CAUTION LABEL	VINYL	YELLOW

* WHITE FINISH ON NEUTRAL PARTS WHEN USED

REV	DESCRIPTION	APP	DATE
6	REVISED BLADE CONFIGURATION IN FRONT VIEW TO AGREE WITH NEMA L5-15P IN TABLE PER DCN 14583 RCM	TCM	1/29/08
5	ADDED CAUTION LABEL TO "LIST OF PARTS" PER DCN 13747 RCM	DJP	3/7/07
4	IN LIST OF PARTS, "POLYCARBONATE WAS "LEXAN"; PER DCN 8998 JMN	CJC	2/18/02
3	ADDED 3 PL TOL TO DIMS, CHANGED SCREWS TO TRI-DRIVE, REMOVED "-" FROM CAT.NO'S PER DCN 7772 AMZ	DB	8/16/00
2	TABLE UPDATED: "ALL SCREWS..." ADDED; AGENCY LISTED..." ADDED PER DCN 2940 RCM	JZ	8/1/94
1	"X" REMOVED PER DCN 1906 RCM	VFL	7/14/93
SYM	REVISIONS	APP	DATE

THE DESIGN AND DIMENSIONS OF THE PRODUCT SHOWN ON THIS DRAWING ARE SUBJECT TO CHANGE WITHOUT NOTICE

TITLE
 INSULGRIP®
 2 POLE 3 WIRE
 GROUNDING TWIST-LOCK®
 FLANGED INLETS

TOLERANCES UNLESS OTHERWISE SPECIFIED	WIRING DEVICE-KELLEMS HUBBELL INCORPORATED BRIDGEPORT, CT	
FRACTIONS ±1/64	DR. BY RCM	APP. BY VFL
DECIMALS ±.005	TR. BY	SCALE --
ANGLES ±2°	CHK'D BY ZIMM	DATE 7/14/93

DIMS. = INCHES [mm]

DIMENSION SHEET FOR CAT. NO. M-7147
 SEE TABLE
 REPAIRABLE NON-REPAIRABLE B
 M-7147